



OWNER'S MANUAL

X-POWER DC Inverter(K series) Outdoor Unit

Thank you very much for purchasing our air conditioner,
Before using your air conditioner , please read this manual carefully and keep it for future reference.

Caution:The manual is applicable for the cooling&heating and cooling only outdoor unit.The cooling&heating indoor unit is applicable for the cooling&heating and the cooling only outdoor unit;the heating capacity of the indoor unit will be effective only when the indoor unit connect to the cooling&heating outdoor unit.

CONTENTS

PAGE

| | |
|-----------------------------------|---|
| IMPORTANT SAFETY INFORMATION..... | 1 |
| PARTS NAMES..... | 2 |
| OPERATION AND PERFORMANCE..... | 2 |
| TROUBLES AND CAUSES..... | 3 |
| MALFUNCTION..... | 5 |
| CONSTRAINT COOLING AND QUERY..... | 6 |
| AFTER-SALES SERVICE..... | 6 |
| CUSTOMER DETAILS..... | 7 |

1. IMPORTANT SAFETY INFORMATION

To prevent injury to the user or other people and property damage, the following instructions must be followed. Incorrect operation due to ignoring of instructions may cause harm or damage.

The safety precautions listed here are divided into two categories. In either case, important safety information is listed which must be read carefully.



WARNING

Failure to observe a warning may result in death. The appliance shall be installed in accordance with national wiring regulations.



CAUTION

Failure to observe a caution may result in injury or damage to the equipment.



WARNING

- **Ask your dealer for installation of the air conditioner.**
Incomplete installation performed by yourself may result in a water leakage, electric shock, and fire.
- **Ask your dealer for improvement, repair, and maintenance.**
Incomplete improvement, repair, and maintenance may result in a water leakage, electric shock, and fire.
- **In order to avoid electric shock, fire or injury, or if you detect any abnormality such as smell of fire, turn off the power supply and call your dealer for instructions.**
- **Never replace a fuse with that of wrong rated current or other wires when a fuse blows out.**
Use of wire or copper wire may cause the unit to break down or cause a fire.
- **Do not insert fingers, rods or other objects into the air inlet or outlet.**
When the fan is rotating at high speed, it will cause injury.
- **Never use a flammable spray such as hair spray, lacquers paint near the unit.**
It may cause a fire.
- **Never touch the air outlet or the horizontal blades while the swing flap is in operation.**
Fingers may become caught or the unit may break down.
- **The appliance shall be installed in accordance with national wiring regulations**

- **Never inspect or service the unit by yourself.**
Ask a qualified service person to perform this work.
- **Do not dispose this product as unsorted municipal waste. Collection of such waste separately for special treatment is necessary.**
- **Do not dispose of electrical appliances as unsorted municipal waste, use separate collection facilities.**
Contact you local government for information regarding the connection systems available.
- **If electrical appliances are disposed of in landfills or dumps, hazardous substances can leak into the groundwater and get into the food chain, damaging your health and well-being.**
- **Keep far away from high-frequency equipment.**
- **Keep away from the following places:**
a place where it is full of ail gas; a place where salty air surrounding or near the coast (except for the models with corrosion-resistant function); a place where is caustic gas(the sulfide in hot spring). Location in the following places may cause malfunction or shorten the life span of the machine.
- **In the case of extremely strong wind, please prevent the air from flowing backwards into the outdoor unit.**
- **Snow canopy is necessary in snowfall places on the outdoor unit. Please consult the local dealer for details.**
- **In the frequent thunderstruck place, lightningproof actions should be taken.**
- **To prevent refrigerant leak, contact your dealer.**
When the system is installed and runs in a small room, it is required to keep the concentration of the refrigerant, if by any chance coming out, below the limit. Otherwise, oxygen in the room may be affected, resulting in a serious accident.
- **The refrigerant in the air conditioner is safe and normally does not leak.**
If the refrigerant leaks in the room, contact with a fire of a burner, a heater or a cooker may result in a harmful gas.
- **Turn off any combustible heating devices, ventilate the room, and contact the dealer where you purchased the unit.**
Do not use the air conditioner until a service person confirms that the portion where the refrigerant leaks is repaired.



CAUTION

- **The cooling&heating indoor unit is applicable for the cooling&heating and the cooling only outdoor unit;the heating capacity of the indoor unit will be effective only when the indoor unit connect to the cooling&heating outdoor unit.**
- **Do not use the air conditioner for other purposes.**
In order to avoid any quality deterioration, do not use the unit for cooling precision instruments, food, plants, animals or works of art.

- **Before cleaning, be sure to stop the operation, turn the breaker off or pull out the supply cord.**
Otherwise, an electric shock and injury may result.
- **In order to avoid electric shock or fire, make sure that an earth leak detector is installed.**
- **Be sure the air conditioner is grounded.**
In order to avoid electric shock, make sure that the unit is grounded and that the earth wire is not connected to gas or water pipe, lightning conductor or telephone earth wire.
- **In order to avoid injury, do not remove the fan guard of the outdoor unit.**
- **Do not operate the air conditioner with a wet hand.**
An electric shock may happen.
- **Do not touch the heat exchanger fins.**
These fins are sharp and could result in cutting injuries.
- **After a long use, check the unit stand and fitting for damage.**
If damaged, the unit may fall and result in injury.
- **To avoid oxygen deficiency, ventilate the room sufficiently if equipment with burner is used together with the air conditioner.**
- **Arrange the drain hose to ensure smooth drainage.**
Incomplete drainage may cause wetting of the building, furniture etc.
- **Never expose little children, plants or animals directly to the air flow.**
Adverse influence to little children, animals and plants may result.
- **Notice to avoid places where operation noise may easily be spread away or be enhanced.**
- **Noise can be amplified by anything blocking the air outlet of outdoor unit.**
- **Choose a proper place that the noise and hot or cold wind blown out of the outdoor unit will not bring inconvenience to your neighbors and not affect the growth or animal or plant.**
- **Do not allow a child to mount on the outdoor unit or avoid placing any object on it.**
Falling or tumbling may result in injury.
- **Do not operate the air conditioner when using a room fumigation - type insecticide.**
Failure to observe could cause the chemicals to become deposited in the unit, which could endanger the health of those who are hypersensitive to chemicals.
- **Do not place appliances which produce open fire in places exposed to the air flow from the unit or under the indoor unit.**
It may cause incomplete combustion or deformation of the unit due to the heat.
- **Do not install the air conditioner at any place where flammable gas may leak out.**
If the gas leaks out and stays around the air conditioner, a fire may break out.
- **The appliance is not intended for use by young children or infirm persons without supervision.**
- **Young children should be supervised to ensure that they do not play with the appliance.**

2. PARTS NAMES

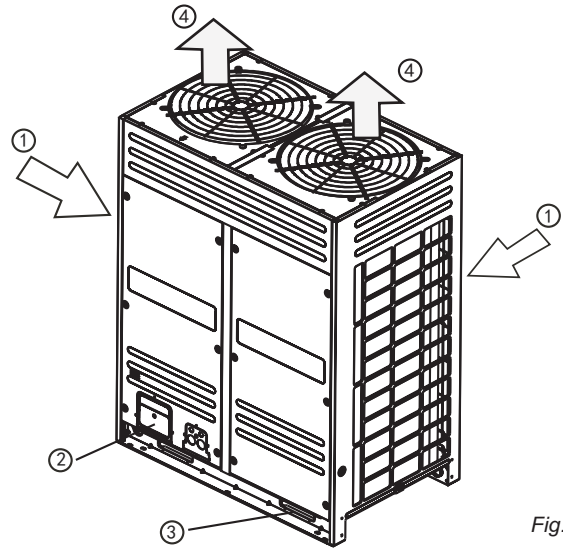


Fig.2-1

| | |
|---|--|
| ① | Air inlet (Both in Left and right sides, as well as in rear side.) |
| ② | Refrigerant pipe connective opening and wires outlet |
| ③ | Fixed foot |
| ④ | Air outlet (heat air to be blows out in the cooling operation, vice versa while the heating.) |



NOTE

- All the pictures in this manual are for explanation purpose only, There may be slightly different from the air conditioner you purchased (depend on model). The actual shape shall prevail.
- To avoid danger, never put sticks or other objects into it.
- Please preheat the air conditioner for at least 12 hours before operation. Do not switchoff the power if you need to stop the unit for 24h or shorter time. (This is to heat the crank case heater to avoid the compulsive start of compressor.)
- Make sure the air inlet and outlet are not blocked, or it may degrade the performance of air conditioner or start up protector which will stop the unit from running.

3. OPERATION AND PERFORMANCE

■ Cooling and heating operation of inverter central A/C

- The indoor unit of this air conditioner can be controlled solely, and the indoor unit in the same system can not run cooling and heating at the same time.
- When the Cooling and Heating operation confront with each other, please determine the problem according to the settings of outdoor unit Mode dial code S5.

1. When set as the Heating Priority Mode, the indoor unit on Cooling Mode would stop and there will be Standby or No Priority displayed on the control panel. Those indoor units which are running on Heating Mode will run continuously.

2. When the Cooling Priority Mode has been set, the indoor unit on Heating Mode would stop and there will be Standby or No Priority displayed on the control panel. Those indoor units which are running on Cooling Mode will run continuously;

3. When the Priority Mode has been set, the first indoor unit will work in Heating Mode that is Heating Priority, please refer to the ITEM 1 for the control logic. If the first indoor unit is work in Cooling Mode, that is the Cooling Priority Mode, please refer to the ITEM 2 for the control logic;

4. In terms of the settings only respond the Heating Mode, the indoor unit will run in Heating Mode normally, if unit be run in the Cooling Mode or air Supply Mode, the indoor unit will display Mode Conflicting;

5. In terms of the settings only respond the Cooling Mode, the indoor unit will run in Cooling Mode or air supply mode normally, if unit be run in the Heating Mode, the indoor unit will display Mode Conflicting.

■ **Features of heating operation**

- Warm air will not be blown out immediately at the beginning of the heating operation, after 3~5minutes (depends on the indoor and outdoor temperature), until the indoor heat exchanger become hot, then blows out warm air.
- During operation, the fan motor in the outdoor unit may stop running under high temperature.
- During Fan operation, if other indoor Units are running on heating mode, the fan may stop in order to prevent sending heat wind.

■ **Defrost in the heating operation**

- During heating operation, outdoor unit sometimes will frost. To increase efficiency, the unit will start defrosting automatically (about 2~10 minutes), and then water will be drained out from outdoor unit.
- During defrosting, both the fan motors in the outdoor unit and indoor unit will stop running.

■ **Operation conditions**

For proper performance, run the air conditioner under the following temperature conditions:

Table.3-1

| Temperature Mode | Outdoor temperature | Indoor temperature | Room relative humidity |
|---|---------------------|--------------------|------------------------|
| Cooling mode | -5°C ~ 48°C | 17°C ~ 32°C | below 80% |
| Heating mode (Cooling only type without) | -20°C ~ 27°C | 15°C ~ 30°C | |



NOTE

Protective device may start if running the unit outside the above condition, which will prevent the unit from operation.

■ **Protection Device**

This protection device will stop the unit automatically in case the air conditioner is on forced running mode. When protection device is activated, running indicator light is lightened and query light flashes. Protection device may start under the following circumstances:

■ **cooling operation:**

- The air inlet or air outlet of outdoor unit is blocked.
- Strong wind is continuously blowing to the air outlet of the outdoor unit.

■ **heating operation:**

- Too much dust and rubbish adhere to the dust filter in the indoor unit

■ **Power cut**

- If power is cut during operation, stop all the operation immediately.
- Power comes again. The operation indicator on the wire controller flashes.
- Push the ON/OFF button again if you want to restart the unit.

■ **Mishandling in operation**

In case of mishandling caused by lighting or mobile wireless, please switch off the manual power off the manual power. Push ON/OFF again when restarting.

■ **Heating capacity**

- The heating process is :absorb heat from outdoor, while expel heat to indoor by hot pump. Once the outdoor temperature drop down, heating capacity is degraded correspondingly.
- It is command to equip with other warming facility, when outdoor temperature is low.
- It is better to equip with additional purchase indoor auxiliary heating device in paramos area where is in particularly low outdoor temperature.(See Indoor Unit Operation Manual for detail information)



NOTE

Please switch off the power when protection device starts. Do not restart until the problems are solved.

4. TROUBLES AND CAUSES



CAUTION

- In case the following malfunctions, please switch off the power and contact the local dealer.Incorrect ON/OFF operation
- Fuse or leakage protector is frequently broken.
- Foreign matter or water falls in the unit.

| | Troubles | Causes |
|------------------------|---|---|
| Not malfunction | Outdoor unit <ul style="list-style-type: none"> • White mist or water • The sound of "hiss" | <ul style="list-style-type: none"> • FAN function stop automatically to defrost. It is the start and stop sound of the solenoid valve • At the beginning and the end of the running process, sounds like water flow in valve occurs, which will be amplified in 3~15 minutes, this is caused by dehumidifying process of refrigerant current. • Slight hiss is caused by heat exchanger as temperature changes. • Pieces of the wall, carpet, furniture, cloth, cigarette, cosmetics are adhere to the unit. • Switch on the power after the power cut. • Other equipment preheating process stops cooling operation. • The operator sets an opposite mode against the fixed cooling and heating mode. • FAN mode stops to avoid cold air blown out. • The master unit with slave units for different purposes, when abnormal accident happen, the director will illustrate. |
| | Indoor unit <ul style="list-style-type: none"> • Bad odor • Operation lamp flashes • No priority of Standby on panel is lightened | |
| Check it again | <ul style="list-style-type: none"> • Start or stop operation automatically | <ul style="list-style-type: none"> • Wrong operation on timer. |
| | <ul style="list-style-type: none"> • No operation | <ul style="list-style-type: none"> • Whether the power is cut. • Whether manual power switch is turned on. • Whether the fuse is melted. • Whether the protection device works. (operation lamp is lightened) • Whether it is the time set. |
| | <ul style="list-style-type: none"> • Insufficient cooling • Insufficient heating | <ul style="list-style-type: none"> • Whether the inlet and outlet of outdoor unit is blocked. • Whether the door and window are open. • Whether the air filter is blocked by dust. • Whether the air deflector is in the right place • Whether fan speed is slight or whether it is in FAN mode. • Whether the temperature is set properly. • Whether setting COOL and HEAT simultaneously. (Indicator light Standby or No Priority on panel is lightened) |

5. MALFUNCTION

Malfunction display of outdoor unit's DSP2

Table.5-1

| No. | Error code | Error or protection type | Note |
|-----|------------|--|--|
| 1 | E0 | Outdoor unit COMM.error | Only display in slave unit |
| 2 | E1 | Phase protection | |
| 3 | E2 | COMM. error with indoor unit | 20 minutes after first power on or indoor and outdoor communication break off over 2 minutes after first power on 20 minutes |
| 4 | E3 | Reserve | |
| 5 | E4 | Outdoor Temp. sensor error | |
| 6 | E5 | Low-voltage power protection | |
| 7 | E6 | Reserve | |
| 8 | E7 | Discharge Temp. sensor error | |
| 9 | E8 | Outdoor unit address error | |
| 10 | E9 | EEPROM can't match the system | |
| 11 | H0 | COMM.error (IR341 & MC9S08AC128) | |
| 12 | H1 | COMM.error (0537 & MC9S08AC128) | |
| 13 | H2 | Qty. of outdoor units decrease error | Only display in main unit |
| 14 | H3 | Qty. of outdoor units increase error | Only display in main unit |
| 15 | H4 | 3 times of module protection in 60 min. | Not recoverable until re-power on |
| 16 | H5 | 3 times of P2 protection in 60 min. | Not recoverable until re-power on |
| 17 | H6 | 3 times of P4 protection in 100 min. | Not recoverable until re-power on |
| 18 | H7 | Qty. of indoor units can't match | Indoor unit lost for over 3 minutes; not recoverable, until the unit qty. recover |
| 19 | H8 | Pressure sensor error | Air discharging pressure $P_c \leq 0.3\text{MPa}$ |
| 20 | H9 | 3 times of P9 protection in 60 min. | Not recoverable until re-power on |
| 21 | XHd | N0. X Slave unit error | Only display in main unit |
| 22 | HC | Outdoor unit capacity setting error | |
| 23 | P0 | Inv. compressor top Temp. protection | |
| 24 | P1 | High pressure or Inv. discharge Temp. protection | |
| 25 | P2 | Low pressure protection | After 3 times P2 protection in 60 minutes will report H5 |
| 26 | P3 | Inv. compressor current protection | |
| 27 | P4 | Discharge Temp. protection | After 3 times P4 protection in 100 minutes will report H6 |
| 28 | P5 | High condenser Temp. protection | |
| 29 | P7 | Fix_1 compressor current protection | |
| 30 | P8 | Reserve | |
| 31 | P9 | DC fan module protection | After 3 times P9 protection in 60 minutes will report H9 |
| 32 | L0 | Compressor module protection | |
| 33 | L1 | DC bus low voltage protection | |
| 34 | L2 | DC bus high voltage protection | |
| 35 | L4 | MCE error/Synchronization/closed-loop | |
| 36 | L5 | Zero-speed protection | |
| 37 | L7 | Phase sequence error | |
| 38 | L8 | Frequency changed over 15Hz one time | |
| 39 | L9 | Setting & actual frequency: over 15Hz | |
| 40 | dF | Defrosting (DSP1:dF,DSP2:operating frequency) | |
| 41 | d0 | Oil returning (DSP1:d0,DSP2:operating frequency) | |

If the problem still existing, please contact the sales distributor or the service center, tell us your model No. and the detail of the error.

6. CONSTRAINT COOLING AND QUERY

■ Constraint Cooling

Once pressing the constraint cooling button(see the chart on the right), all the indoor unit will be on forced cooling mode and the fan speed is HIGH.

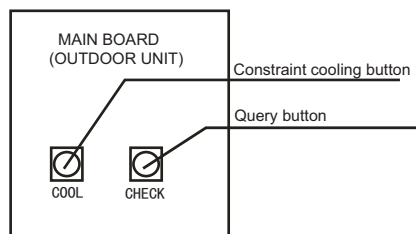


Fig.6-1

■ Query

Table.6-1

| Serial Num | Normal display | Note | Serial Num | Normal display | Note |
|------------|---|-------------------------|------------|-----------------------------------|--|
| 1 | Outdoor unit address | 0,1,2,3 | 17 | Tp saturation Temp | Actual value + 30 |
| 2 | Outdoor unit capacity itself | 8,10,12,14,16,18 | 18 | Current of inverter compressor | Actual value |
| 3 | Modular outdoor unit qty. | Available for main unit | 19 | Current of fixed_1 compressor | Actual value |
| 4 | Setting of indoor units qty. | Available for main unit | 20 | Opening degree of EXV 1 | |
| 5 | Total capacity of outdoor units | Capacity requirement | 21 | Opening degree of EXV 2 | |
| 6 | Total requirement of indoor unit capacity | Available for main unit | 22 | High pressure | Actual value X 10 MPa |
| 7 | Total requirement of main unit corrected capacity | Available for main unit | 23 | Qty. of indoor units | Actual value |
| 8 | Operation | 0, 2, 3, 4 | 24 | Qty. of operating indoor units | Actual value |
| 9 | This outdoor unit actual operation capacity | Capacity requirement | 25 | Priority mode | 0,1,2,3,4 |
| 10 | Speed of fan 1 | | 26 | Noise control mode | 0,1,2,3 |
| 11 | Speed of fan 2 | | 27 | Reserve | |
| 12 | T2/T2B average Temp | Actual value | 28 | DC voltage | |
| 13 | T3 pipe temp | Actual value | 29 | Reserve | |
| 14 | T4 ambient temp | Actual value | 30 | The last error or protection code | Without error/protection, display 8.8.8. |
| 15 | Discharge Temp.of Inv. compressor | Actual value | 31 | -- | Check end |
| 16 | Discharge Temp.of fixed compressor | Actual value | | | |

The display contents as followings:

- 1) Normal display: When standby, it displays the indoor unit qty. When receive the capacity requirement, it will display the compressor rotation frequency.
- 2) Operation mode: 0—OFF/FAN; 2—Cooling; 3—Heating(Cooling only type without); 4—Constraint cooling.
- 3) Rotation speed: 0—fan stop; 1~15: speed increase sequentially, 15 is the max. fan speed.
- 4) EXV opening degree: Pulse count= display value × 8
- 5) The limitation of Indoor unit proformed mode : 0—Heating Priority Mode; 1—Cooling Priority Mode; 2—Number 63 & the more operating mode first; 3—Respond the heating mode only; 4—Respond the cooling mode only.
- 6) Noise control mode: 0- Night silent mode ; 1-silent mode ;2-super silent mode ;3-none silent mode

7. AFTER-SALES SERVICE

If the air conditioner was operate abnormally, please plug off the power supply firstly, and contact with After-sales Center or Special Distributor. For detail please refer to the attached accessory Consumer Service Instruction.

8. CUSTOMER DETAILS

Branch Address :
.....
.....

Telephone :

Person to be contacted :

Dealer address :
.....
.....

Telephone :

Person to be contacted :
.....

Signature of the Dealer with Seal.

In all correspondence/communication state your name, address, the serial number of your air conditioning unit, date of purchase and dealer's name (include address), location of unit and description of problem, for prompt and immediate attention

Name of Customer :

Address :
.....
.....

Sr.No. of the Unit :

Sr.No. of the Compressor : Date of purchase:.....

Invoice No :

202000172357C

