

CONSOLE TYPE AIR CONDITIONER INSTALLATION MANUAL



GB INSTALLATION MANUAL
ENGLISH

BS PRIRUČNIK ZA INSTALACIJU
BOSANSKI

EL ΕΓΧΕΙΡΙΔΙΟ ΕΓΚΑΤΑΣΤΑΣΗΣ
ΕΛΛΗΝΙΚΑ

HU SZERELÉSI ÚTMUTATÓ
MAGYAR

RO MANUAL DE INSTALARE
ROMÂNĂ

SL NAVODILA ZA NAMESTITEV
SLOVENŠČINA

SR UPUTSTVO ZA UGRADNJU
SRPSKI

BG РЪКОВОДСТВО ЗА МОНТАЖ
БЪЛГАРСКИ

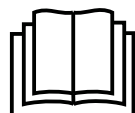
CZ NÁVOD K INSTALACI
ČEŠTINA

HR PRIRUČNIK ZA UGRADNJU
HRVATSKI

MK УПАТСТВО ЗА МОНТИРАЊЕ
МАКЕДОНСКИ

SK NÁVOD NA INŠTALÁCIU
SLOVENČINA

SQ MANUALI I INSTALIMIT
SHQIP



IMPORTANT NOTE:

Read this manual carefully before installing or operating your new air conditioning unit.
Make sure to save this manual for future reference.

Please check the applicable models, F-GAS and manufacturer information from the
“Owner’s Manual - Product Fiche” in the packaging of the outdoor unit.
(European Union products only)

This product has been determined to be in compliance with the Low Voltage Directive (2014/35/EC), and the Electromagnetic Compatibility Directive (2014/30/EC) of the European Union.



Correct Disposal of This Product (Waste Electrical & Electronic Equipment)

(When using this air conditioner in European countries, the following guidance must be followed)

- This marking shown on the product or its literature, indicates that waste electrical and electronic equipment (WEEE as in directive 2012/19/EU) should not be mixed with general household waste.

It is prohibited to dispose of this appliance in domestic household waste.

For disposal, there are several possibilities:

1. The municipality has established collection systems, where electronic waste can be disposed of at least free of charge to the user.
2. When buying a new product, the retailer will take back the old product at least free of charge.
3. The manufacture will take back the old appliance for disposal at least free of charge to the user.
4. As old products contain valuable resources, they can be sold to scrap metal dealers.

Wild disposal of waste in forests and landscapes endangers your health when hazardous substances leak into the ground-water and find their way into the food chain.

This product contains fluorinated gases covered by the Kyoto Protocol

Chemical Name of Gas	R410A / R32
Global Warming Potential (GWP) of Gas	2088 / 675

CAUTION

1. Paste the enclosed refrigerant label adjacent to the charging and/or recovering location.
2. Clearly write the charged refrigerant quantity on the refrigerant label using indelible ink.
3. Prevent emission of the contained fluorinated gas. Ensure that the fluorinated gas is never vented to the atmosphere during installation, service or disposal. When any leakage of the contained fluorinated gas is detected, the leak shall be stopped and repaired as soon as possible.
4. Only qualified service personnel are allowed to access and service this product.
5. Any handling of the fluorinated gas in this product, such as when moving the product or recharging the gas, shall comply under (EC) Regulation No. 517/2014 on certain fluorinated greenhouse gases and any relevant local legislation.
6. Contact dealers, installers, etc., for any questions.

Indoor Unit	Dimension(IDU)	Outdoor Unit	Dimension(ODU)	Rated Voltage & Hz
42QZA009DS*	700x600x210	38QUS009DS*	770x300x555	
42QZA012DS*	700x600x210	38QUS012DS*	800x333x554	220-240V~ 50Hz
42QZA012D8S*	700x600x210	38QUS018DS*	800x333x554	
42QZA018DS*	700x600x210	38QUS018DS*	800x333x554	

The manufacturer reserves the right to change any product specifications without notice.

CONTENTS

1. PREPARING FOR INSTALLATION	3
1.1 Safety Precautions	3
1.2 Accessories	4
2. INDOOR UNIT INSTALLATION	5
2.1 Installation Site Choosing	5
2.2 Install The Indoor Unit	6
2.3 How To Connect The Pipes And Wires	7
2.4 Install The Drain Pipe	8
3. OUTDOOR UNIT INSTALLATION	9
3.1 Installation Site Choosing	9
3.2 Outdoor Unit Mounting Dimension	9
3.3 Space Requirement For Outdoor Unit	10
3.4 Install The Outdoor Unit	10
3.5 Install The Drain Pipe For Outdoor Unit	10
4. REFRIGERANT PIPING WORK	11
4.1 Flaring	11
4.2 Piping Work	11
4.3 Refrigerant Pipe	12
4.4 Air Evacuation	12
4.5 Leakage Test	12
5. WIRING	13
6. FINAL CHECK AND TRIAL OPERATION	14
6.1 Final Check List	14
6.2 Manual Operation	14
6.3 Trial Operation	14
7. INFORMATION SERVICING	15



Caution: Risk of fire
for R32/R290 refrigerant only

1. PREPARING FOR INSTALLATION

1.1 SAFETY PRECAUTIONS

- Installing, starting up, and servicing air-conditioning equipment can be hazardous due to system pressures, electrical components, and equipment location (roofs, elevated structures, etc.).
- Only trained, qualified installers and service mechanics should install, start-up, and serve this equipment.
- When working on the equipment, observe precautions in the literature and on tags, stickers, and labels attached to the equipment.
- Follow all safety codes. Wear safety glasses and work gloves. Keep quenching cloth and fire extinguisher nearby when brazing. Use care in handling, rigging, and setting bulky equipment.
- Read these instructions thoroughly and follow all warnings or cautions included in literature and attached to the unit. Consult local building codes and National Electrical Code for special requirements.

WARNING

This symbol indicates the possibility of personnel injury or loss of life.

- Refrigerant gas is heavier than air and replaces oxygen. A massive leak could lead to oxygen depletion, especially in basements, and an asphyxiation hazard could occur leading to serious injury or death.
- When the air conditioner is installed in a small room, provide appropriate measures to ensure that the concentration of refrigerant leakage in the room does not exceed the critical level.
- If the refrigerant gas leaks during installation, ventilate the area immediately.
Refrigerant gas may produce a toxic gas if it comes in contact with fire such as from a fan heater, stove or cooking device. Exposure to this gas could cause severe injury or death.
- Disconnect from power source before attempting any electrical work. Connect the connective cable correctly.
Wrongly connecting may result in electric parts damaged.
- Use the specified cables for electrical connections and attach the wires firmly to the terminal block connecting sections so that the external force is not exerted to the terminal.
Be sure to provide grounding.
Do not ground units to gas pipes, water pipes, lightning rods or telephone wires. Incomplete grounding could cause a severe shock hazard resulting in injury or death.
- Safely dispose of the packing materials.
Packing materials, such as nails and other metal or wooden parts, may cause stabs or other injuries. Tear apart and throw away plastic packaging bags so that children will not play with them. Children playing with plastic bags face the danger of suffocation.
- Do not install unit near concentrations of combustible gas or gas vapors.
- Be sure to use the supplied or exact specified installation parts.
Use of other parts may cause the unit to come to lose, water leakage, electrical shock, fire or equipment damage.
- When installing or relocating the system, do not allow air or any substances other than the specified refrigerant (R410A/R32) to enter the refrigeration cycle.
- Never modify this unit by removing any of the safety guards or bypassing any of the safety interlock switches.
- Electrical work should be carried out in accordance with the installation manual and the national, state and local electrical wiring codes.
- Be sure to use a dedicated power circuit. Never share the same power outlet with other appliance.

1. PREPARING FOR INSTALLATION

WARNING

- In order to avoid a hazard due to inadvertent resetting of the thermal cut-out, this appliance must not be supplied through an external switching device, such as a timer, or connected to a circuit that is regularly switched on and off by the utility.
- Use the prescribed cables for electrical connection with insulation protected by insulation sleeving having an appropriate temperature rating.
Unconformable cables can cause electric leak, anomalous heat production or fire.
NOTE: The following information are required for the units adopt R32/R290 Refrigerant.
- The appliance shall be stored in a room without continuously operating ignition sources. (for example: open flames, and operating gas appliance or an operating electric heater).
- Do not pierce or burn.
- Be aware that refrigerants may not contain an odour.
- Compliance with national gas regulations shall be observed.
- Appliance shall be stored in a well-ventilated area where the room size corresponds to the room area as specified for operation.
- Appliance shall be installed, operated and stored in a room with a floor area larger than X m², installation of pipe-work shall be kept to a minimum X m²(Please see the following form).
- Appliance shall not be installed in an unventilated space, if that space is smaller than X m² (Please see the following form). Spaces where refrigerant pipes shall be compliance with national gas regulations.

Model(Btu/h)	Amount of refrigerant to be charged (kg)	maximum installation height (m)	Minimum room area (m ²)
≤30000	≤2.048	1.8m	4
		0.6m	35
30000-48000	2.048-3.0	1.8m	8
		0.6m	80
>48000	>3.0	1.8m	9
		0.6m	80

Note about Fluorinated Gases

- This air-conditioning unit contains fluorinated gases. For specific information on the type of gas and the amount, please refer to the relevant label on the unit itself.
- Installation, service, maintenance and repair of this unit must be performed by a certified technician.
- Product uninstallation and recycling must be performed by a certified technician.
- If the system has a leak-detection system installed, it must be checked for leaks at least every 12 months.
- When the unit is checked for leaks, proper record-keeping of all checks is strongly recommended.

CAUTION

This symbol indicates the possibility of property damage or serious consequences.

- To avoid personal injury, be careful when handling parts with sharp edges.
- Do not install the indoor or outdoor units in a location with special environmental conditions.
- Do not install in a place that can amplify the noise level of the unit or where noise and discharged air might disturb neighbors.

1. PREPARING FOR INSTALLATION






CAUTION

This symbol indicates the possibility of property damage or serious consequences.

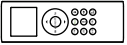


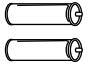
- Perform the drainage/piping work securely according to the installation manual.
Improper drain piping may result in water leakage and property damage.
- Do not instal the air conditioner in the following places.
 - The place where there is mineral oil or arsenic acid.
 - The place where corrosive gas (such as sulfurous acid gas) or combustible gas (such as thinner) can accumulate or collect, or where volatile combustible substances are handled.
 - The place there is equipment that generates electromagnetic fields or high frequency harmonics

1.2 ACCESSORIES

The following accessories are supplied with the unit. The type and quantity may differ depending on the specifications.

Name of Accessories	Q'ty(pc)	Shape	Use
Manual	3		<Installation manual>, <User manual>, <Remote controller manual> (or <Wired controller manual>)
Gasket	1		Seal the drainage outlet for outdoor unit.
Drain outlet	1		Connect drainage hose for outdoor unit.
Clamp filter	1		For conforming to EMC standards (Used for indoor/outdoor connecting wires)
Hook	2		For installation

The following accessories are related to remote controller.

Name of Accessories	Q'ty(pc)	Shape	Use
Remote Controller	1		To remote control the air conditioner
Remote controller holder	1		To hold the remote controller on the wall
Tapped screw	2		To fix the remote controller holder
Battery	2		For remote controller

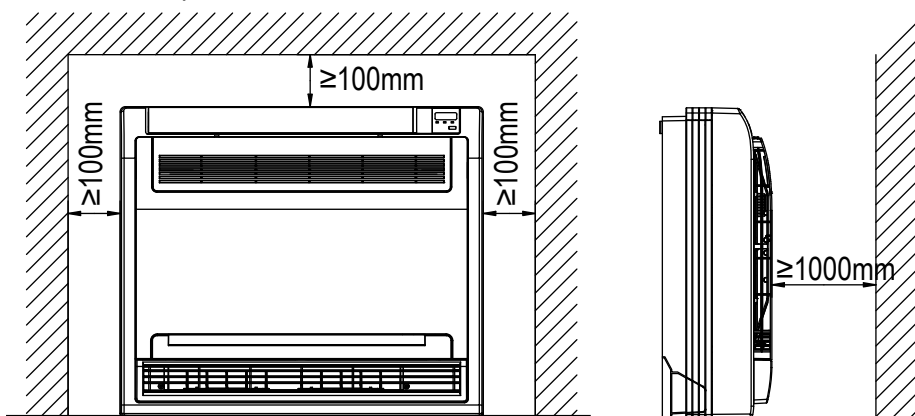
Note: The accessories related to remote controller will be unavailable for the models with wired controller. For wired controller accessories, please refer to attached manual of wired controller.

2. INDOOR UNIT INSTALLATION

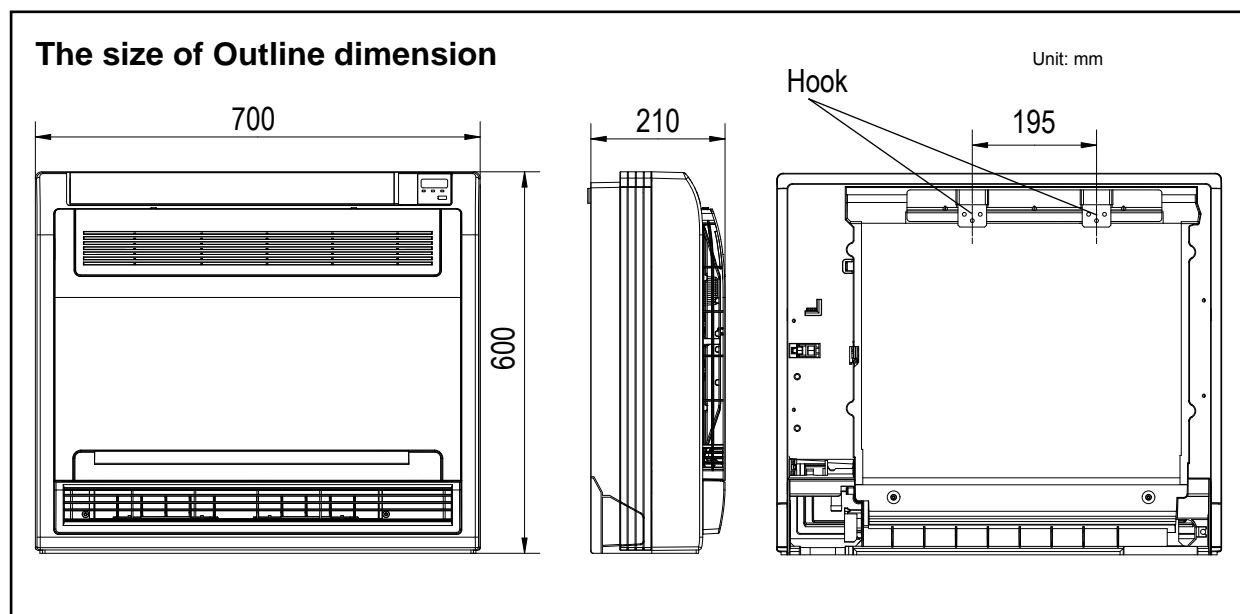
2.1 INSTALLATION SITE CHOOSING

INDOOR UNIT

- Where it is out of direct sunlight.
- Where the airflow is not blocked.
- Where an optimum air distribution is ensured.
- Where the condensate can drain correctly and safely.
- Install the indoor unit on a wall/ceiling that prevents vibration and is strong enough to hold the product weight.
- Maintain sufficient clearance around the indoor unit for maintenance and servicing.
- Where the air filter can be removed and cleaned easily.
- Where the piping between the indoor and outdoor units is within the allowable limits.
- Install the indoor unit 1m or more away from the TV or radio to prevent the screen from being distorted or noise from being generated.
- Install the indoor unit as far away as possible from fluorescent and incandescent lights so that the remote control can be operated well.



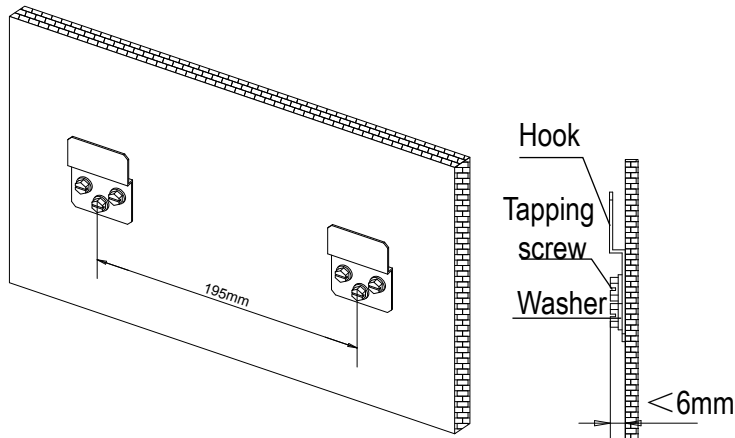
SPACE REQUIREMENT FOR INDOOR UNIT



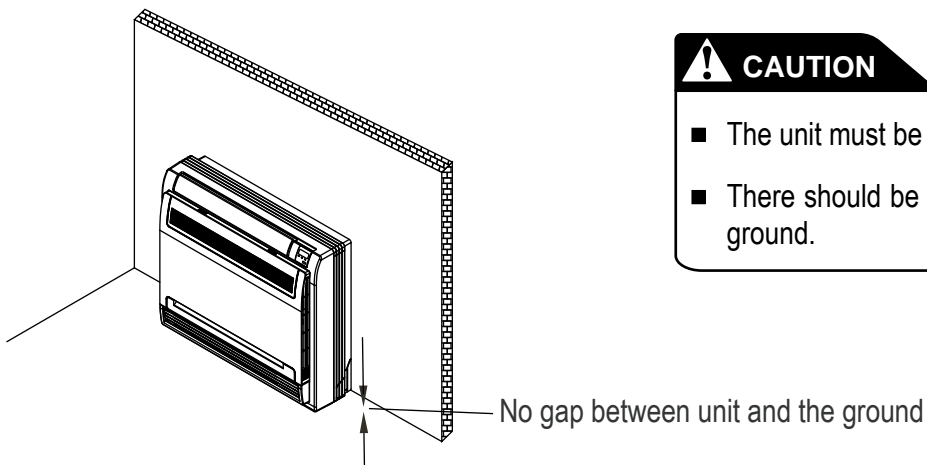
2. INDOOR UNIT INSTALLATION

2.2 INSTALL THE INDOOR UNIT

2.2.1 Fix the hook with tapping screw onto the wall.



2.2.1 Hang the indoor unit on the hook.



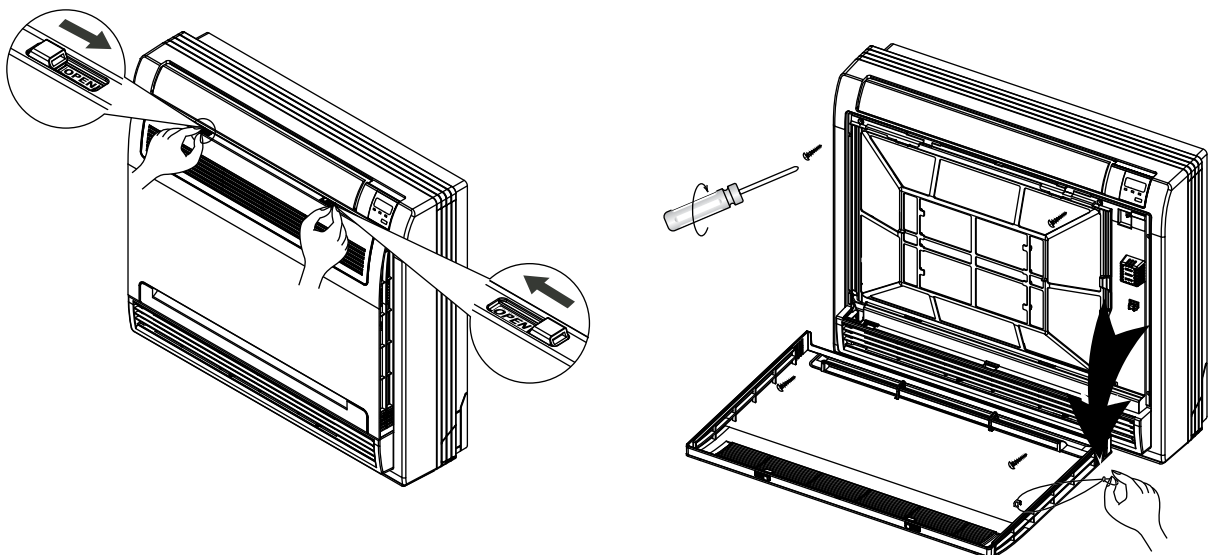
CAUTION

- The unit must be installed vertically.
- There should be no gap between unit and the ground.

2.3 HOW TO CONNECT THE PIPES AND WIRES

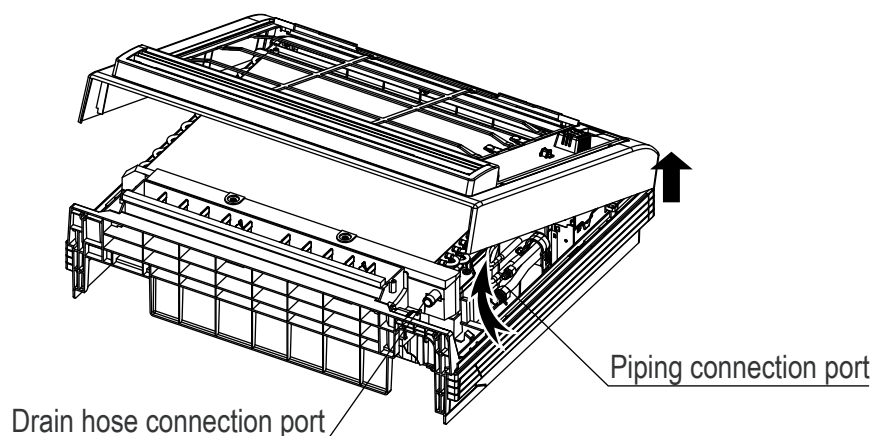
2.3.1 Push the two switches simultaneously, then open the panel.

2.3.2 Remove the string and take off the panel.

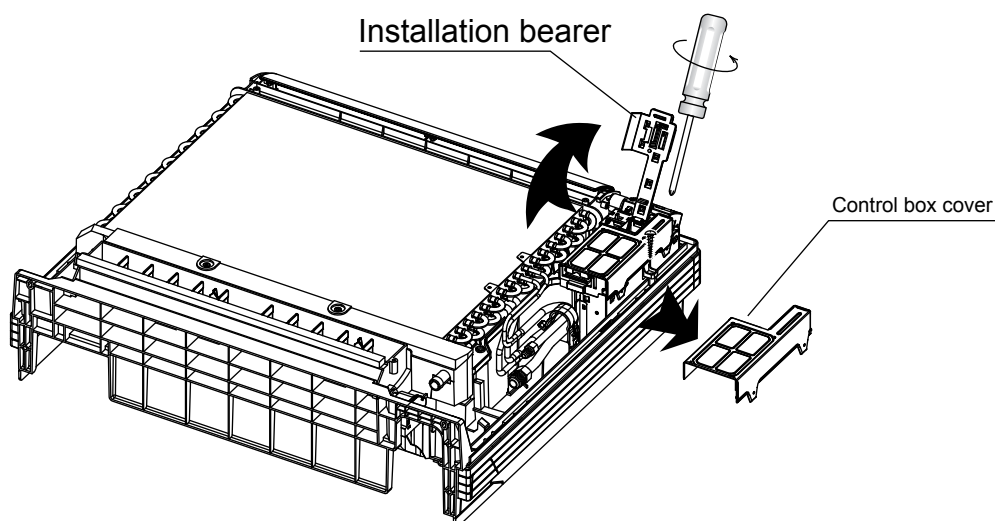


2. INDOOR UNIT INSTALLATION

2.3.3 Remove 4 screws, and then remove the frame from bottom side. Piping connection port and drain hose connection port can be observed after take off the frame.

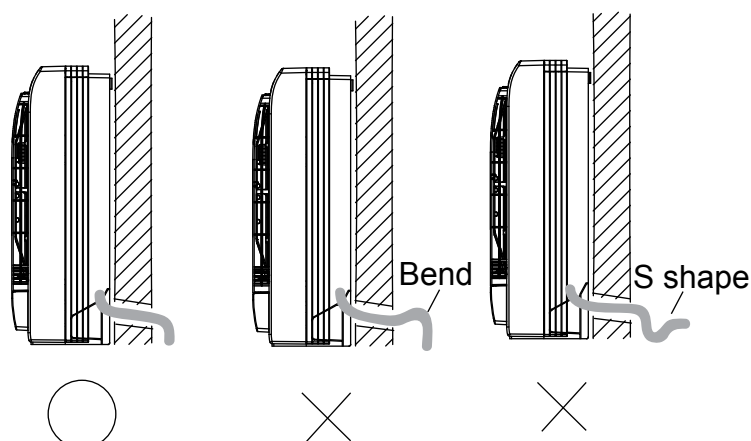


2.3.4 Remove the installation bearer, and take off control box cover. Wiring terminator can be observed.



2.4 INSTALL THE DRAIN PIPE

The drain line must not have a trap anywhere in its length, must pitch downwards, and must be insulated up to the outside wall.

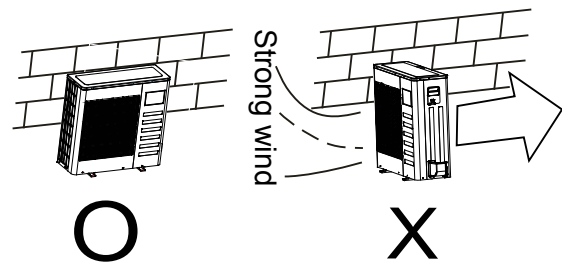


3. OUTDOOR UNIT INSTALLATION

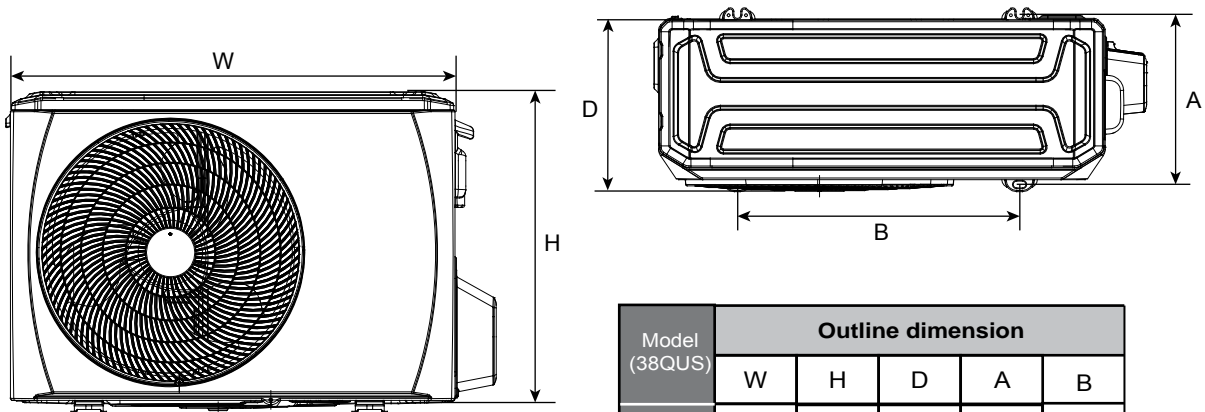
3.1 INSTALLATION SITE CHOOSING

OUTDOOR UNIT

- Where it is out of rain or direct sunlight.
- Where it is well-ventilated and free from obstacles near the air inlet and air outlet.
- Where does not increase the operating noise or vibration of the outdoor unit.
- Where does not cause any drainage problem with discharged water.
- Install the outdoor unit properly at a place that is durable enough to the weight of the outdoor unit.
- Where provides appropriate clearances as outlined
- Where the piping between the indoor and outdoor units is within the allowable limits.
- In regions with snowfall and cold temperatures, avoid installing the outdoor unit in areas where it can be covered by snow. If heavy snow is expected, a field supplied ice or stand and field supplied-installed wind baffle should be installed to protect the unit from snow accumulation and blocked air intake.
- When installing the outdoor unit in a place that is constantly exposed to a strong wind, it is recommended that a wind baffle be used.



3.2 OUTDOOR UNIT MOUNTING DIMENSION

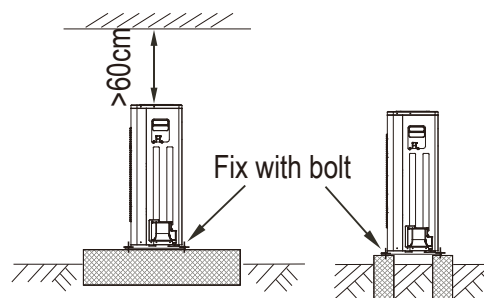
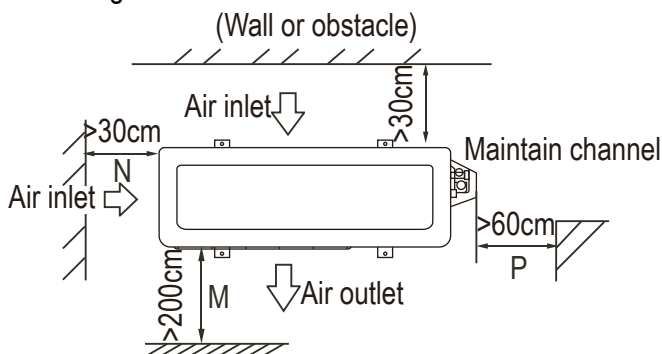


Model (38QUS)	Outline dimension				
	W	H	D	A	B
009	770	555	300	298	487
012/018	800	554	333	340	514

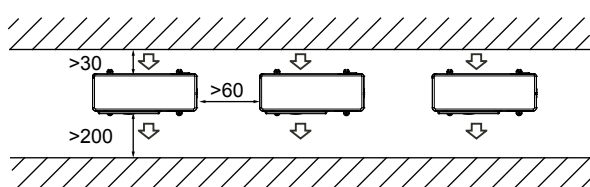
3. OUTDOOR UNIT INSTALLATION

3.3 SPACE REQUIREMENT FOR OUTDOOR UNIT

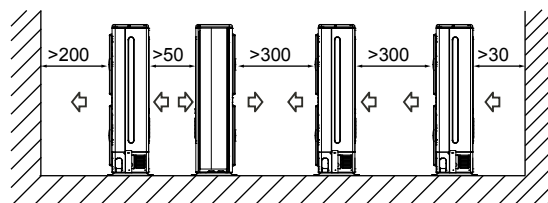
Single Unit Installation



Parallel connect the two units or above unit:cm

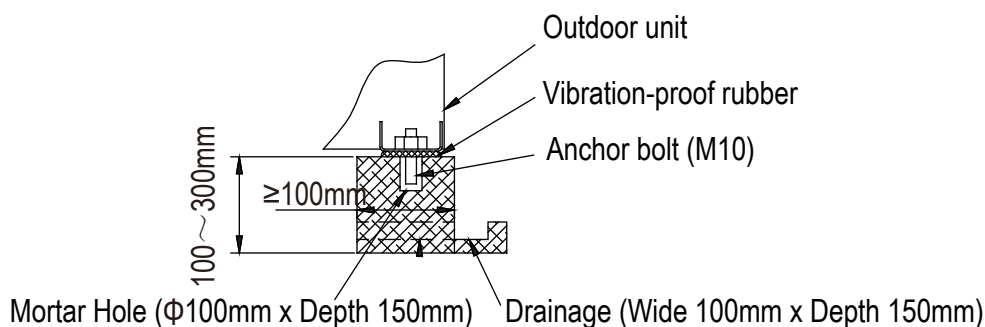


Parallel connect the front with rear sides. unit:cm



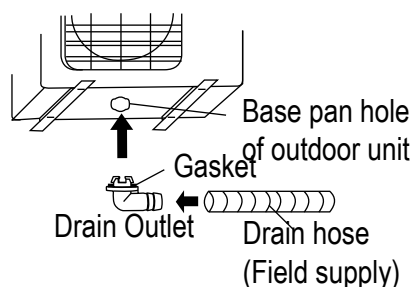
3.4 INSTALL THE OUTDOOR UNIT

- Before installation, check strength and horizontality of the base so that abnormal sound does not generate.
- Fix the base firmly with anchor bolts (M10) to prevent it from collapsing.
- Install the foundation and vibration-proof rubbers to directly support the bottom surface of the fixing leg that is in contact with the bottom plate of the outdoor unit.



3.5 INSTALL THE DRAIN PIPE FOR OUTDOOR UNIT

- Connect the drain outlet with an extension drain hose
- Fit the gasket onto drain outlet.
- Insert the drain outlet into the base pan hole of outdoor unit, and rotate 90 degree to securely assemble them.



4. REFRIGERANT PIPING WORK

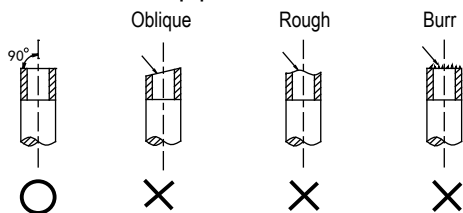
CAUTION

- Check if the height difference between indoor unit & outdoor unit and the total length of refrigerant pipe meet system requirement.
- Refrigerant piping work follows the indoor unit and outdoor unit installation, connect the pipe at the indoor side first, then the outdoor side.
- Always keep ends of tubing sealed by placing a cap or covering with tape during installation and do NOT remove them until you are ready to connect the piping.
- Be sure to insulate any field piping all the way to the piping connection inside the unit. Any exposed piping may cause condensation or burns if touched.

4.1 FLARING

NOTE

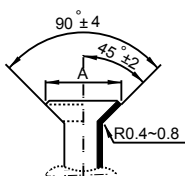
- Tools required for flaring are pipe cutter, reamer, flaring tool and pipe holder.
 - For R32 refrigerant models, the pipe connection points must be placed outside of room.
- 4.1.1 Using a pipe cutter to cut the pipe to the requested length. Ensure that the cut edge remains at 90° with the side of the pipe.



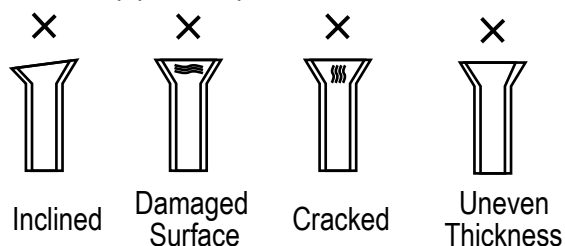
4.1.2 Use a reamer to remove burrs with the cut surface downward so that the chips do not enter the pipe.

4.1.3 Carry out flaring work using flaring tools as below.

Outside diameter	A(mm)	
	Max	Min
Φ6.35mm	8.7	8.3
Φ9.52mm	12.4	12.0
Φ12.7mm	15.8	15.4
Φ15.88mm	19.0	18.6
Φ19.05mm	23.3	22.9

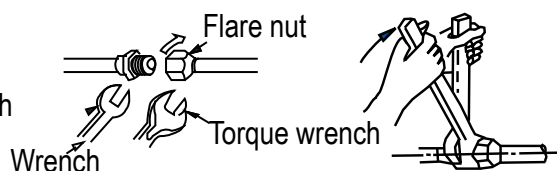


4.1.4 Check if the flaring is properly made. See incorrectly flared pipes sample below.



4.2 PIPING WORK

4.2.1 Align the center to tighten the flare nut and finish connection using two wrenches.



Tubing size	Torque
Φ6.35mm	18 ~ 20 N.m
Φ9.52mm	25 ~ 26 N.m
Φ12.7mm	35 ~ 36 N.m
Φ15.88mm	45 ~ 47 N.m
Φ19.05mm	65 ~ 67 N.m

4.2.2 Select the appropriate insulation material for refrigerant pipe. (Min. 10mm, thermal insulating foam C)

- Use separate thermal insulation pipes for gas & liquid pipes.
- The thickness above is a standard of the indoor temperature of 27°C and humidity of 80%. If installing in an unfavorable conditions such as near bathrooms, kitchens, and other similar locations, reinforce the insulation.
- Insulation's heat-resistance temperature should be more than 120°C.
- Use the adhesives on the connection part of insulation to prevent moisture from entering.
- Repair and cover any possible cracks in the insulation specially check the bent part or hanger of pipe.

CAUTION

- In case of needing brazing, work with Nitrogen gas blowing.
- Improper torque will cause flare damage or gas leaks.

4. REFRIGERANT PIPING WORK

4.3 REFRIGERANT PIPE

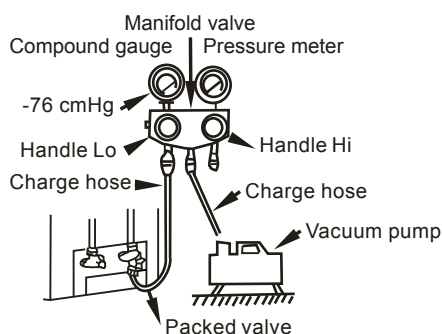
Model (38QUS)	Liquid Side	Gas Side	Allowable pipe length (m)	Max. Height difference (m)	Charge less length (m)	Additional charge per meter (R410A/R32)
009/012	Φ6.35mm	Φ9.52mm	25	10	5	15/12 g/m
018	Φ6.35mm	Φ12.7mm	30	20	5	15/12 g/m

NOTE: 1) Please use tools for R410A/R32 system respectively;

2) When the pipe length is over 5m, the additional refrigerant should be added according to the piping length.

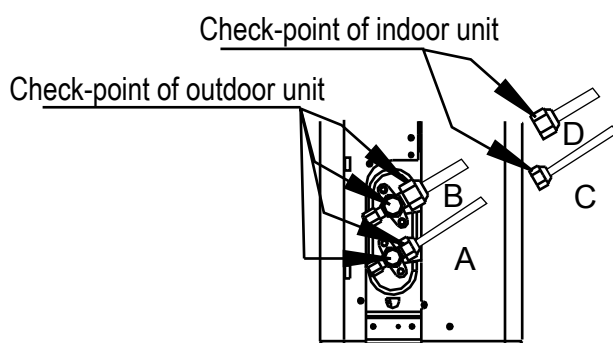
4.4 AIR EVACUATION

- Connect the charge hose from the manifold gauge to the service port of the gas side packed valve.
- Connect the charge hose to the port of the vacuum pump.
- Fully open the handle Lo of manifold gauge.
- Operate the vacuum pump to evacuate air from the system until 76cmHg.
- Close the handle Lo of manifold gauge.
- Fully open the valve stem of the packed valves.
- Remove the charging hose from the service port.
- Securely tighten caps of packed valve.



4.5 LEAKAGE TEST

After the piping work is finished, make sure to check the connection part of each refrigerant pipe and confirm that there is no gas leak by applying soapy water to them or by using a leak detector specific for HFC refrigerants. Refer below picture for illustration.



A: Low pressure stop valve
C & D: Indoor unit flare nuts

B: High pressure stop valve

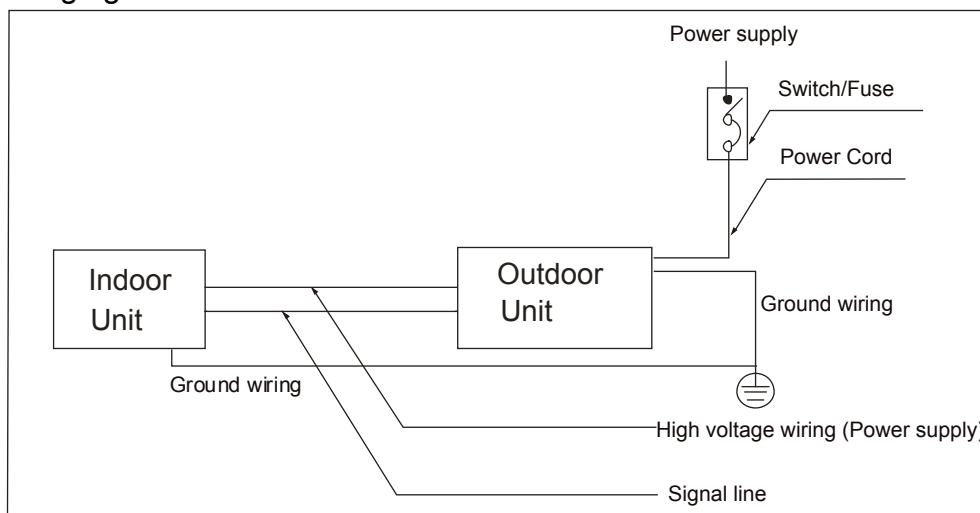
5. WIRING

CAUTION

- All the electrical connections must be carried out by qualified installers and all the wirings must be connected according to the wiring diagram.
- Make ground connection prior to any other electrical connections.
- All power sources must be turned off before wiring work and do not turn on the power until you have made sure all the wirings have been safety checked.
- A main switch and circuit breaker or fuse must be installed, the capacity should be above 1.5 times of maximum current in circuit.
- An individual branch circuit and single socket used only for this appliance must be available.
- Wire cross section is depending on the rated current and national, state and local electrical wiring code. Consult local building codes and National electrical code for special requirement.
- If the supply cord is damaged, it must be replaced by the manufacturer, its service agent or similarly qualified persons in order to avoid a hazard.
- The unit must be connected to the main power supply by means of a circuit breaker or a switch with a contact separation of at least 3mm in all poles. Installation of a residual current device (RCD) having a rated residual operating current not exceeding 30mA is advisable.

5.1 POWER FROM OUTDOOR SIDE

■ Wiring figure



■ Power supply and connecting wires specification

Model(Btu/h)		9k	12k	18k
Power Supply	Phase	1-Phase	1-Phase	1-Phase
	Frequency and volt	220-240V~ 50Hz	220-240V~ 50Hz	220-240V~ 50Hz
Rated Current		10A	10A	11A
Fuse Rating(Field Supply)		20A	20A	20A
Power Cord(Field Supply)		H07RN-F; 3×2.5mm ²	H07RN-F; 3×2.5mm ²	H07RN-F; 3×2.5mm ²
Indoor/outdoor connecting wiring (Field Supply)		H07RN-F; 4×1.5mm ²	H07RN-F; 4×1.5mm ²	H07RN-F; 4×2.5mm ²

NOTE OF FUSE SPECIFICATIONS:

(applicable to units adopt R32 refrigerant only, and the fuse is made of ceramic.)

1. The specification of outdoor unit fuse is T20A/250VAC(for <24000Btu/h unit), T30A/250VAC(for >24000Btu/h unit)

2. The specification of indoor unit fuse is T5A/250VAC, T10A/250VAC.

6. FINAL CHECK AND TRIAL OPERATION

6.1 FINAL CHECK LIST

To complete the installation, perform the following checks before the trial operation.

- Strength of the installation site for both indoor and outdoor sides, confirm no obstruction of the unit air outlet or return.
- Tightness of Refrigerant piping connection and confirm no leakage
- Electric wiring connections are correctly completed and unit has been grounding connected
- Check the total length of the piping and record the volume of the additional charged refrigerant
- The power supply should complying with the rated voltage of the air conditioner
- Insulation of the pipe
- Drainage

6.2 MANUAL OPERATION

Manual operation can be accessed by pressing manual button on display panel.

Press the manual button repeatedly to change modes as follows:

- Once = AUTO mode [heat, cool or fan, 24°C and auto fan speed.
- Twice = COOLING mode [switch to AUTO mode after 30 minutes (mainly used for trial operation)]
- Three times = OFF

6.3 TRIAL OPERATION

Set the air conditioning under the COOLING mode with the remote controller (or manual button) and check the running status of both indoor unit and outdoor unit. In case of any malfunction, resolve it according to chapter "Trouble shooting" in the "Service Manual".

Indoor unit

- Whether the buttons (such as ON/OFF, MODE, TEMPERATURE, FAN SPEED etc.) on the remote controller work well.
- Whether the louver moves normally.
- Whether the room temperature is adjusted well.
- Whether the indicator lights on the display panel are normal.
- Whether the "manual" button works well.
- Whether the drainage is normal.
- Whether there is a vibration or abnormal noise during the operation.
- Whether the indoor unit works well in COOLING or HEATING mode.

Outdoor unit

- Whether there is a vibration or abnormal noise during the operation.
- Whether the wind, noise or condensed generated by the air conditioner have disturb your neighborhood.
- Whether there is any refrigerant leakage.

CAUTION

- When restart the unit, there will be approximately 3 minutes delay to run for protection.

7. INFORMATION SERVICING

7.1 CHECKS TO THE AREA

Prior to beginning work on systems containing flammable refrigerants, safety checks are necessary to ensure that the risk of ignition is minimised. For repair to the refrigerating system, the following precautions shall be complied with prior to conducting work on the system.

7.2 WORK PROCEDURE

Works shall be undertaken under a controlled procedure so as to minimise the risk of a flammable gas or vapour being present while the work is being performed.

7.3 GENERAL WORK AREA

All maintenance staff and others working in the local area shall be instructed on the nature of work being carried out. Work in confined spaces shall be avoided. The area around the work space shall be sectioned off. Ensure that the conditions within the area have been made safe by control of flammable material.

7.4 CHECKING FOR PRESENCE OF REFRIGERANT

The area shall be checked with an appropriate refrigerant detector prior to and during work, to ensure the technician is aware of potentially flammable atmospheres. Ensure that the leak detection equipment being used is suitable for use with flammable refrigerants, i.e. no sparking, adequately sealed or intrinsically safe.

7.5 PRESENCE OF FIRE EXTINGUISHER

If any hot work is to be conducted on the refrigeration equipment or any associated parts, appropriate fire extinguishing equipment shall be available to hand. Have a dry power or CO₂ fire extinguisher adjacent to the charging area.

7.6 NO IGNITION SOURCES

No person carrying out work in relation to a refrigeration system which involves exposing any pipe work that contains or has contained flammable refrigerant shall use any sources of ignition in such a manner that it may lead to the risk of fire or explosion. All possible ignition sources, including cigarette smoking, should be kept sufficiently far away from the site of installation, repairing, removing and disposal, during which flammable refrigerant can possibly be released to the surrounding space. Prior to work taking place, the area around the equipment is to be surveyed to make sure that there are no flammable hazards or ignition risks. "NO SMOKING" signs shall be displayed.

7.7 VENTILATED AREA

Ensure that the area is in the open or that it is adequately ventilated before breaking into the system or conducting any hot work. A degree of ventilation shall continue during the period that the work is carried out. The ventilation should safely disperse any released refrigerant and preferably expel it externally into the atmosphere.

7.8 CHECKS TO THE REFRIGERATION EQUIPMENT

Where electrical components are being changed, they shall be fit for the purpose and to the correct specification. At all times the manufacturer's maintenance and service guidelines shall be followed. If in doubt consult the manufacturer's technical department for assistance. The following checks shall be applied to installations using flammable refrigerants:

7. INFORMATION SERVICING

- the charge size is in accordance with the room size within which the refrigerant containing parts are installed;
- the ventilation machinery and outlets are operating adequately and are not obstructed;
- if an indirect refrigerating circuit is being used, the secondary circuits shall be checked for the presence of refrigerant; marking to the equipment continues to be visible and legible.
- marking and signs that are illegible shall be corrected;
- refrigeration pipe or components are installed in a position where they are unlikely to be exposed to any substance which may corrode refrigerant containing components, unless the components are constructed of materials which are inherently resistant to being corroded or are suitably protected against being so corroded.

7.9 CHECKS TO ELECTRICAL DEVICES

Repair and maintenance to electrical components shall include initial safety checks and component inspection procedures. If a fault exists that could compromise safety, then no electrical supply shall be connected to the circuit until it is satisfactorily dealt with. If the fault cannot be corrected immediately but it is necessary to continue operation, and adequate temporary solution shall be used. This shall be reported to the owner of the equipment so all parties are advised.

Initial safety checks shall include:

- that capacitors are discharged: this shall be done in a safe manner to avoid possibility of sparking
- that there no live electrical components and wiring are exposed while charging, recovering or purging the system;
- that there is continuity of earth bonding.

7.10 REPAIRS TO SEALED COMPONENTS

10.1 During repairs to sealed components, all electrical supplies shall be disconnected from the equipment being worked upon prior to any removal of sealed covers, etc. If it is absolutely necessary to have an electrical supply to equipment during servicing, then a permanently operating form of leak detection shall be located at the most critical point to warn of a potentially hazardous situation.

10.2 Particular attention shall be paid to the following to ensure that by working on electrical components, the casing is not altered in such a way that the level of protection is affected. This shall include damage to cables, excessive number of connections, terminals not made to original specification, damage to seals, incorrect fitting of glands, etc.

- Ensure that apparatus is mounted securely.
- Ensure that seals or sealing materials have not degraded such that they no longer serve the purpose of preventing the ingress of flammable atmospheres. Replacement parts shall be in accordance with the manufacturer s specifications.

NOTE: The use of silicon sealant may inhibit the effectiveness of some types of leak detection equipment. Intrinsically safe components do not have to be isolated prior to working on them.

7.11 REPAI TO INTRINSICALLY SAFE COMPONENTS

Do not apply any permanent inductive or capacitance loads to the circuit without ensuring that this will not exceed the permissible voltage and current permitted for the equipment in use. Intrinsically safe components are the only types that can be worked on while live in the presence of a flammable atmosphere. The test apparatus shall be at the correct rating. Replace components only with parts specified by the manufacturer. Other parts may result in the ignition of refrigerant in the atmosphere from a leak.

7. INFORMATION SERVICING

7.12 CABLING

Check that cabling will not be subject to wear, corrosion, excessive pressure, vibration, sharp edges or any other adverse environmental effects. The check shall also take into account the effects of aging or continual vibration from sources such as compressors or fans.

7.13 DETECTION OF FLAMMABLE REFRIGERANTS

Under no circumstances shall potential sources of ignition be used in the searching for or detection of refrigerant leaks. A halide torch (or any other detector using a naked flame) shall not be used.

7.14 LEAK DETECTION METHODS

The following leak detection methods are deemed acceptable for systems containing flammable refrigerants. Electronic leak detectors shall be used to detect flammable refrigerants, but the sensitivity may not be adequate, or may need re-calibration. (Detection equipment shall be calibrated in a refrigerant-free area.) Ensure that the detector is not a potential source of ignition and is suitable for the refrigerant. Leak detection equipment shall be set at a percentage of the LFL of the refrigerant and shall be calibrated to the refrigerant employed and the appropriate percentage of gas (25% maximum) is confirmed. Leak detection fluids are suitable for use with most refrigerants but the use of detergents containing chlorine shall be avoided as the chlorine may react with the refrigerant and corrode the copper pipe-work. If a leak is suspected, all naked flames shall be removed or extinguished. If a leakage of refrigerant is found which requires brazing, all of the refrigerant shall be recovered from the system, or isolated (by means of shut off valves) in a part of the system remote from the leak. Oxygen free nitrogen (OFN) shall then be purged through the system both before and during the brazing process.

7.15 REMOVAL AND EVACUATION

When breaking into the refrigerant circuit to make repairs or for any other purpose conventional procedures shall be used. However, it is important that best practice is followed since flammability is a consideration. The following procedure shall be adhered to:

- remove refrigerant;
- purge the circuit with inert gas;
- evacuate;
- purge again with inert gas;
 open the circuit by cutting or brazing.

The refrigerant charge shall be recovered into the correct recovery cylinders. The system shall be flushed with OFN to render the unit safe. This process may need to be repeated several times.

Compressed air or oxygen shall not be used for this task.

Flushing shall be achieved by breaking the vacuum in the system with OFN and continuing to fill until the working pressure is achieved, then venting to atmosphere, and finally pulling down to a vacuum. This process shall be repeated until no refrigerant is within the system.

When the final OFN charge is used, the system shall be vented down to atmospheric pressure to enable work to take place. This operation is absolutely vital if brazing operations on the pipe-work are to take place. Ensure that the outlet for the vacuum pump is not closed to any ignition sources and there is ventilation available.

7. INFORMATION SERVICING

7.16 CHARGING PROCEDURES

In addition to conventional charging procedures, the following requirements shall be followed:

- Ensure that contamination of different refrigerants does not occur when using charging equipment. Hoses or lines shall be as short as possible to minimize the amount of refrigerant contained in them.
- Cylinders shall be kept upright.
- Ensure that the refrigeration system is earthed prior to charging the system with refrigerant.
- Label the system when charging is complete (if not already).
- Extreme care shall be taken not to overfill the refrigeration system.
- Prior to recharging the system it shall be pressure tested with OFN. The system shall be leak tested on completion of charging but prior to commissioning. A follow up leak test

7.17 DECOMMISSIONING

Before carrying out this procedure, it is essential that the technician is completely familiar with the equipment and all its detail. It is recommended good practice that all refrigerants are recovered safely. Prior to the task being carried out, an oil and refrigerant sample shall be taken.

In case analysis is required prior to re-use of reclaimed refrigerant. It is essential that electrical power is available before the task is commenced.

- a) Become familiar with the equipment and its operation.
- b) Isolate system electrically
- c) Before attempting the procedure ensure that:
 - mechanical handling equipment is available, if required, for handling refrigerant cylinders;
 - all personal protective equipment is available and being used correctly;
 - the recovery process is supervised at all times by a competent person;
 - recovery equipment and cylinders conform to the appropriate standards.
- d) Pump down refrigerant system, if possible.
- e) If a vacuum is not possible, make a manifold so that refrigerant can be removed from various parts of the system.
- f) Make sure that cylinder is situated on the scales before recovery takes place.
- g) Start the recovery machine and operate in accordance with manufacturer's instructions.
- h) Do not overfill cylinders. (No more than 80% volume liquid charge).
- i) Do not exceed the maximum working pressure of the cylinder, even temporarily.
- j) When the cylinders have been filled correctly and the process completed, make sure that the cylinders and the equipment are removed from site promptly and all isolation valves on the equipment are closed off.
- k) Recovered refrigerant shall not be charged into another refrigeration system unless it has been cleaned and checked.

7.18 LABELLING

Equipment shall be labelled stating that it has been de-commissioned and emptied of refrigerant. The label shall be dated and signed. Ensure that there are labels on the equipment stating the equipment contains flammable refrigerant.

7. INFORMATION SERVICING

7.19 RECOVERY

- When removing refrigerant from a system, either for service or decommissioning, it is recommended good practice that all refrigerants are removed safely.
- When transferring refrigerant into cylinders, ensure that only appropriate refrigerant recovery cylinders are employed. Ensure that the correct numbers of cylinders for holding the total system charge are available. All cylinders to be used are designated for the recovered refrigerant and labelled for that refrigerant (i.e special cylinders for the recovery of refrigerant). Cylinders shall be complete with pressure relief valve and associated shut-off valves in good working order.
- Empty recovery cylinders are evacuated and, if possible, cooled before recovery occurs.
- The recovery equipment shall be in good working order with a set of instructions concerning the equipment that is at hand and shall be suitable for the recovery of flammable refrigerants. In addition, a set of calibrated weighing scales shall be available and in good working order.
- Hoses shall be complete with leak-free disconnect couplings and in good condition. Before using the recovery machine, check that it is in satisfactory working order, has been properly maintained and that any associated electrical components are sealed to prevent ignition in the event of a refrigerant release. Consult manufacturer if in doubt.
- The recovered refrigerant shall be returned to the refrigerant supplier in the correct recovery cylinder, and the relevant Waste Transfer Note arranged. Do not mix refrigerants in recovery units and especially not in cylinders.
- If compressors or compressor oils are to be removed, ensure that they have been evacuated to an acceptable level to make certain that flammable refrigerant does not remain within the lubricant. The evacuation process shall be carried out prior to retraining the compressor to the suppliers. Only electric heating to the compressor body shall be employed to accelerate this process. When oil is drained from a system, it shall be carried out safely.

7.20 TRANSPORTATION, MARKING AND STORAGE FOR UNITS

1. Transport of equipment containing flammable refrigerants
Compliance with the transport regulations
2. Marking of equipment using signs
Compliance with local regulations
3. Disposal of equipment using flammable refrigerants
Compliance with national regulations
4. Storage of equipment/appliances
The storage of equipment should be in accordance with the manufacturer's instructions.
5. Storage of packed (unsold) equipment
Storage package protection should be constructed such that mechanical damage to the equipment inside the package will not cause a leak of the refrigerant charge.
The maximum number of pieces of equipment permitted to be stored together will be determined by local regulations.

За този продукт е потвърдено, че съответства на Директивата за ниско напрежение (2014/35/EO) и на Директивата за електромагнитна съвместимост (2014/30/EO) на Европейския съюз.



Правилно изхвърляне на този продукт (Отпадъци от електрическо и електронно оборудване)

(При използване на този климатик в държавите от Европейския съюз трябва да се спазват следните указания)

– Тази маркировка, посочена върху продукта или в неговата литература, показва, че отпадъците от електрическо и електронно оборудване (ОЕЕО съгласно Директива 2012/19/EC) не трябва да се смесват с общите битови отпадъци.

Забранява се изхвърлянето на този уред заедно с битови отпадъци.

Съществуват няколко възможности за изхвърляне на уреда:

1. Общината разполага със системи за сметосъбиране, чрез които електронните отпадъци могат да се изхвърлят от потребителите безплатно.
2. При закупуване на нов продукт търговецът на дребно ще вземе обратно стария Ви продукт безплатно.
3. Производителят ще приеме безплатно стария Ви уред и ще го изхвърли.
4. Тъй като старите продукти съдържат ценни материали, те могат да се продадат на дружества за изкупуване на скрап.

Неконтролируемото изхвърляне на отпадъци в горите и сред природата застрашава Вашето здраве, тъй като опасните вещества може да попаднат в подпочвените води и впоследствие – в хранителната верига.

Този продукт съдържа флуорирани газове, попадащи в обхвата на Протокола от Киото

Химическо наименование на газа

R410A / R32

Потенциал за глобално затопляне (ПГЗ) на газа

2088 / 675

ВНИМАНИЕ

1. Поставете приложения етикет за хладилния агент близо до мястото за зареждане и/или възстановяване.
2. С неизтриваемо мастило запишете на етикета ясно количеството зареден хладилен агент.
3. Не допускайте отделяне на съдържащия се флуориран газ. Не позволявайте изпускане на флуорирания газ в атмосферата по време на монтаж, ремонт или изхвърляне на уреда. Ако се установи изтичане на флуориран газ, то трябва незабавно да бъде спряно и да се направи нужния ремонт.
4. Само на квалифицирани сервизни техници се позволява да имат достъп и да ремонтират този продукт.
5. Всяка работа, свързана с флуорирания газ, като например при преместване на климатика или при презареждане на газа, трябва да се извършва в съответствие с Регламент (EO) № 517/2014 относно някои флуорирани парникови газове, както и с приложимото национално законодателство.
6. Ако имате въпроси, свържете се с търговците, специалистите по монтаж и т.н.

Вътрешно тяло	Размер (вътрешно тяло)	Външно тяло	Размер (външно тяло)	Номинално напрежение и честота
42QZA009DS*	700x600x210	38QUS009DS*	770x300x555	
42QZA012DS* 42QZA012D8S*	700x600x210	38QUS012DS*	800x333x554	220–240 V ~ 50 Hz
42QZA018DS*	700x600x210	38QUS018DS*	800x333x554	

Производителят си запазва правото да променя спецификациите на продукта, без да уведомява за това.

СЪДЪРЖАНИЕ

1. ПОДГОТОВКА ЗА МОНТАЖ	3
1.1 Предпазни мерки	3
1.2 Аксесоари	4
2. МОНТАЖ НА ВЪТРЕШНОТО ТЯЛО	6
2.1 Избор на мястото за монтаж	6
2.2 Монтиране на външното тяло	7
2.3 Как се свързват тръбите и кабелите	7
2.4 Монтиране на дренажната тръба	8
3. МОНТАЖ НА ВЪНШНОТО ТЯЛО	9
3.1 Избор на мястото за монтаж	9
3.2 Монтажни размери на външното тяло	9
3.3 Необходимо пространство за външното тяло	10
3.4 Монтиране на външното тяло	10
3.5 Монтиране на дренажната тръба на външното тяло	10
4. ТРЪБОПРОВОД НА ХЛАДИЛНИЯ АГЕНТ	11
4.1 Разширяване	11
4.2 Дейности по тръбопровода	11
4.3 Тръба за хладилния агент	12
4.4 Обезвъздушаване	12
4.5 Тест за теч	12
5. СВЪРЗВАНЕ НА ПРОВОДНИЦИТЕ	13
6. ФИНАЛНА ПРОВЕРКА И ПРОБЕН ПУСК	14
6.1 Списък на финалните проверки	14
6.2 Ръчно управление	14
6.3 Пробно управление	14
7. ИНФОРМАЦИЯ ОТНОСНО СЕРВИЗНОТО ОБСЛУЖВАНЕ	15



Внимание: **Опасност от пожар само за хладилен агент R32/R290**

1. ПОДГОТОВКА ЗА МОНТАЖ

1.1 ПРЕДПАЗНИ МЕРКИ

- Монтажът, стартирането и обслужването на климатици може да бъде опасно поради наляганията в системата, електрическите компоненти и мястото на оборудването (покриви, издигнати конструкции и др.).
- Само обучени, квалифицирани монтажници и сервизни техници трябва да монтират, стартират и обслужват това оборудване.
- По време на работа по оборудването да се спазват предпазните мерки в документацията и по табелките, стикерите и етикетите, прикрепени към оборудването.
- Спазвайте всички кодове за безопасност. Носете предпазни очила и работни ръкавици. При извършване на запояване дръжте в непосредствена близост противопожарно одеяло и пожарогасител. Внимавайте при пренасяне, инсталиране и позициониране на обемистото оборудване.
- Прочетете внимателно тези инструкции и спазвайте всички предупреждения и знаци за внимание в документацията и тези, прикрепените към уреда. Направете справка в местните правила за строителните дейности и в националните правила за електрическите съоръжения, за да се запознаете със специалните изисквания.

ПРЕДУПРЕЖДЕНИЕ

Този символ посочва възможността от получаване на травма или смърт.

- **Хладилният газ е по-тежък от въздуха и измества кислорода.** Изтичането на голямо количество хладилен агент може да доведе до недостиг на кислород, особено в помещения на приземни етажи, както и да създаде опасност от задушаване, водеща до сериозно нараняване или смърт.
- Когато климатикът е монтиран в малко помещение, вземете подходящи мерки, за да се гарантира, че концентрацията на хладилен агент в помещението при възникване на теч няма да превиши критичното ниво.
- Ако по време на монтажа се появи теч на хладилен газ, проветрете помещението незабавно. Хладилният агент може да отдели токсичен газ, ако се загрее силно при контакт с вентилаторен отоплителен уред например или готварска печка. Излагането на този газ може да причини сериозно нараняване или смърт.
- **Изключете от електрическата мрежа, преди да пристъпите към някаква работа по електрическата част.** Свържете правилно свързващия кабел. Неправилното свързване може да доведе до повреждане на електрическите части.
- **Използвайте посочените в спецификацията кабели за електрическите връзки и прикрепяйте проводниците здраво към клемната кутия, която свързва секциите така, че върху клемите да не се упражнява външна сила.**
- **Непременно осигурете заземяване.** Не заземявайте уредите към газови и водни тръби, гръмоотводи или телефонни кабели. Непълното заземяване може да причини сериозна опасност от токов удар и да доведе до травма или смърт.
- **Безопасно изхвърляйте опаковъчните материали.** Опаковъчните материали, като например гвоздеи и други метални или дървени части, могат да причинят порязване или други наранявания. Разкъсвайте и изхвърляйте пластмасовите опаковъчни торби така, че да е невъзможно деца да играят с тях. Използването на найлонови торби от деца за игра крие опасност от задушаване.
- **Не монтирайте уреда в близост до концентрации на избухлив газ или газови изпарения.**
- **Задължително използвайте доставените или точно посочените монтажни елементи.** Използването на други елементи може да доведе до разхлабване на уреда, изтичане на вода, токов удар, пожар или повреда на оборудването.
- При монтиране или преместване на климатичната система не позволявайте навлизането на въздух или други вещества, различни от охлаждащия агент (R410A/R32) в охладителната верига.
- Никога не модифицирайте този уред чрез премахване на някой от предпазителите или чрез шунтиране на някой от защитните блокиращи изключватели.
- Дейностите по електрическата част трябва да бъдат извършвани в съответствие с ръководството за монтаж и националните, регионалните и местните правилници за работа с електрически кабели.
- **Задължително използвайте независима електрическа верига.** Никога не използвайте един и същ захранващ контакт с други уреди.

1. ПОДГОТОВКА ЗА МОНТАЖ

ПРЕДУПРЕЖДЕНИЕ

- За да се избегне опасност, дължаща се на възстановяване на термичен предпазител, този уред не трябва да бъде захранван през външно превключващо устройство, като например таймер, или да бъде свързан към верига, която се включва и изключва редовно от управляващата програма.
- Използвайте предписаните кабели за електрическа връзка с изолация, защитена с изолационен шлаух с подходящи температурни номинални параметри.
Неподходящите кабели могат да доведат до токова утечка, необичайно загряване или пожар.
ЗАБЕЛЕЖКА: Следната информация се изисква за уреди, приемачи хладилни агенти R32/R290
- Уредът трябва да се съхранява в помещение без непрекъснато работещ източник на запалване. (например: открит пламък, работещ газов уред или работещ електрически нагревател).
- Не пробивайте и не изгаряйте.
- Имайте предвид, че охлаждащите вещества може да не съдържат миризма.
- Трябва да се спазват националните газови разпоредби.
- Уредът трябва да се съхранява на добре проветриво място, където размерите на стаята съответстват на размерите, определени за експлоатация.
- Уредът трябва да бъде монтиран, експлоатиран и съхраняван в помещение с площ по-голяма от $X \text{ m}^2$, монтажът на тръбите трябва да бъде сведен до минимум $X \text{ m}^2$ (Моля, вижте следната форма).
- Уредът не трябва да се монтира в помещение без вентилация, ако това помещение е по-малко от $X \text{ m}^2$ (Моля, вижте следната форма). Места, където тръбите на хладилния агент трябва да съответстват на националните газови разпоредби.

Модел (Btu/h)	Количество хладилен агент, което трябва да бъде заредено (kg)	Максимална височина на монтиране (m)	Минимална площ на помещението (m^2)
≤30000	≤2,048	1,8m	4
		0,6m	35
30000-48000	2,048-3,0	1,8m	8
		0,6m	80
>48000	>3,0	1,8m	9
		0,6m	80

Забележка относно флуорираните парникови газове

- Тази климатична инсталация съдържа флуорирани парникови газове. За конкретна информация относно типа и количеството газ, моля, направете справка със съответния етикет на самия модул.
- Монтажът, сервизът, поддръжката и ремонтът на това устройство трябва да се извършват от сертифициран техник.
- Демонтажът и рециклирането на този продукт трябва да се извършват от сертифициран техник.
- Ако системата има инсталирана система за откриване на течове, тя трябва да бъде проверявана за течове поне на всеки 12 месеца.
- Когато уредът се проверява за течове, силно се препоръчва правилно водене на отчет за всички проверки.

1. ПОДГОТОВКА ЗА МОНТАЖ






ВНИМАНИЕ

Този символ посочва възможността от материална повреда или сериозни последици.

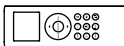


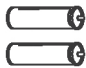
- За да избегнете травма, внимавайте, когато боравите с части с остри ръбове.
- Не монтирайте вътрешното или външното тяло на места със специални условия на околната среда.
- Не монтирайте на място, което може да увеличи нивото на шум на климатика или където шумът и отделяният въздух биха могли да обезпокояват съседите.
- Изпълнете дейностите по дренажната/тръбопроводната част надеждно, според ръководството за монтаж. Неправилното монтиране на дренажната тръба може да доведе до теч на вода и материални щети.
- Не монтирайте климатика на следните места:
 - Където има минерално масло или арсенова киселина.
 - Където може да се акумулира или събере корозивен газ (като например от серниста киселина) или възпламеним газ (като например от разреждател), или където се борави с летливи запалими вещества.
 - Където има оборудване, което генерира електромагнитни полета или високочестотни хармоници.

1.2 АКЕСОАРИ

С уреда се доставят следните аксесоари. Типът и количеството може да се различават в зависимост от спецификациите.

Наименование на аксесоарите	К-во (бр.)	Форма	Употреба
Ръководство	3		<Ръководство за монтаж>, <Ръководство за потребителя>, <Ръководство за дистанционно управление> (или <Ръководство за проводниково управление>)
Уплътнител	1		Уплътнете дренажния отвор на външното тяло.
Изход за дренаж	1		Свържете дренажния маркуч с външното тяло.
Филтър със скоба	1		За съответствие със стандартите за EMC (използва се за вътрешните външните свързващи проводници)
Кука	2		За монтаж

С дистанционното управление са свързани следните аксесоари.

Наименование на аксесоарите	К-во (бр.)	Форма	Употреба
Дистанционно управление	1		За дистанционно управление на климатика
Поставка за дистанционно управление	1		За закачване на дистанционното управление на стена
Самонарязващ винт	2		За закрепване на поставката на дистанционното управление
Батерия	2		За дистанционното управление

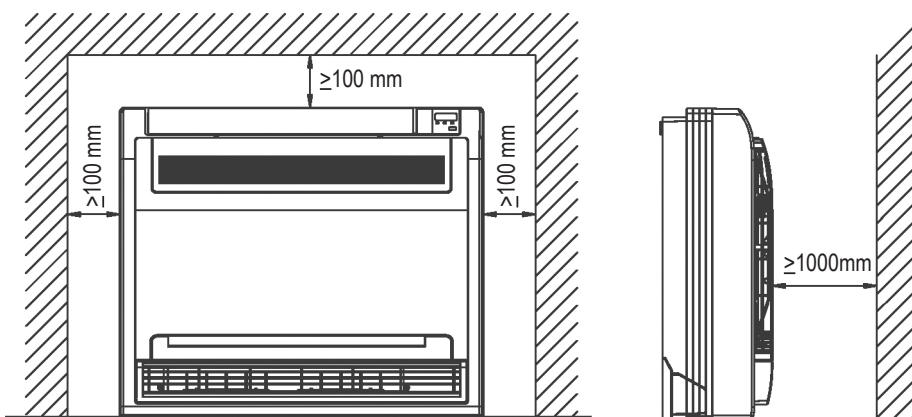
Забележка: Аксесоарите за дистанционно управление не се предлагат за модели с кабелно дистанционно управление. За аксесоарите за кабелното дистанционно управление вижте неговото ръководство.

2. МОНТАЖ НА ВЪТРЕШНОТО ТЯЛО

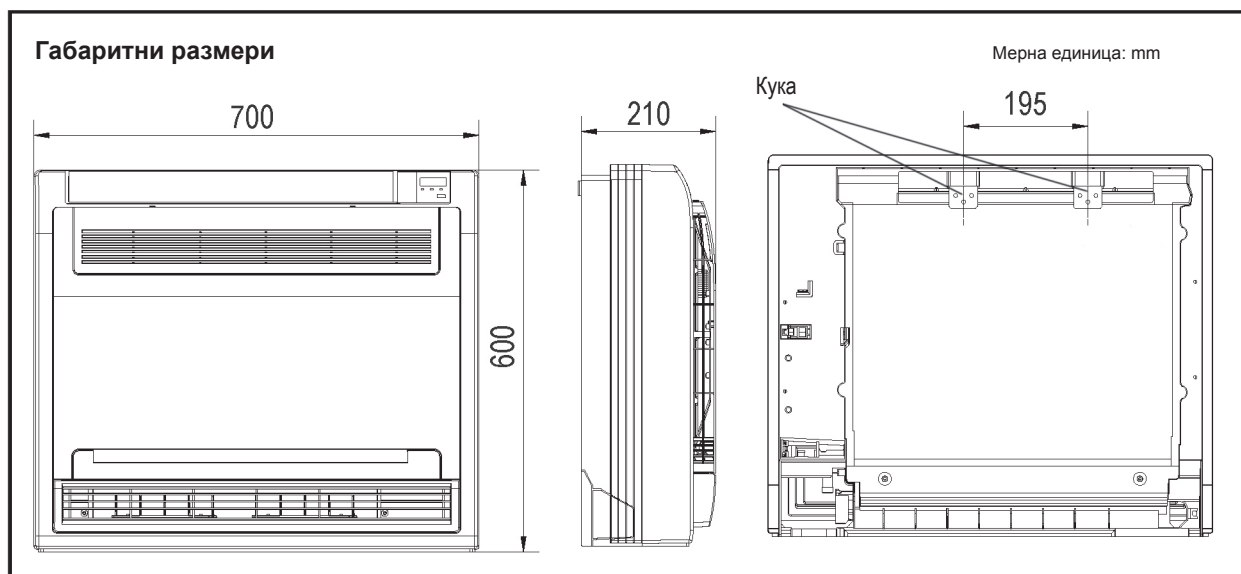
2.1 ИЗБОР НА МЯСТОТО ЗА МОНТАЖ

ВЪТРЕШНО ТЯЛО

- Където няма да бъде изложено на пряка слънчева светлина.
- Където въздушният поток не е блокиран.
- Където се осигурява оптимално разпределение на въздуха.
- Където кондензът може да се оттича правилно и по безопасен начин.
- Монтирайте вътрешното тяло на стена/таван, които предотвратяват вибрации и са достатъчно стабилни, за да издържат теглото на продукта.
- Оставете достатъчно разстояние около вътрешното тяло за целите на техническото и сервизното обслужване.
- Където въздушният филтър може да бъде лесно демонтиран и почистен.
- Където тръбата между вътрешното и външното тяло е в допустимите граници.
- Монтирайте вътрешното тяло на 1 m или по-далеч от телевизионен или радиоприемник, за да предпазите екрана от смущения и от генерирания шум.
- Монтирайте вътрешното тяло максимално далеч от флуоресцентни лампи и лампи с нажежаема жичка, за да може дистанционното управление да функционира добре.



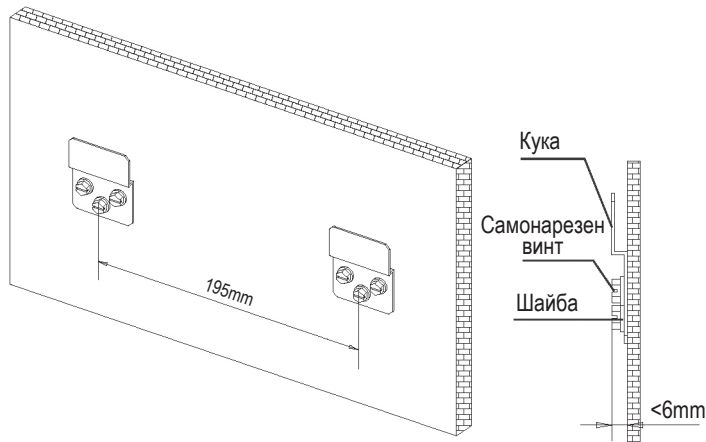
НЕОБХОДИМО ПРОСТРАНСТВО ЗА ВЪТРЕШНОТО ТЯЛО



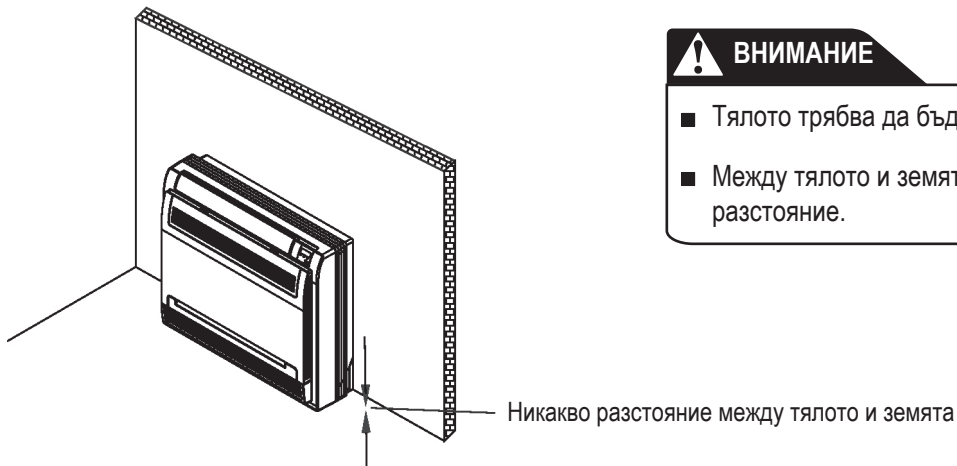
2. МОНТАЖ НА ВЪТРЕШНОТО ТЯЛО

2.2 МОНТИРАНЕ НА ВЪТРЕШНОТО ТЯЛО

2.2.1 Фиксирайте куката на стената със самонарезен винт.



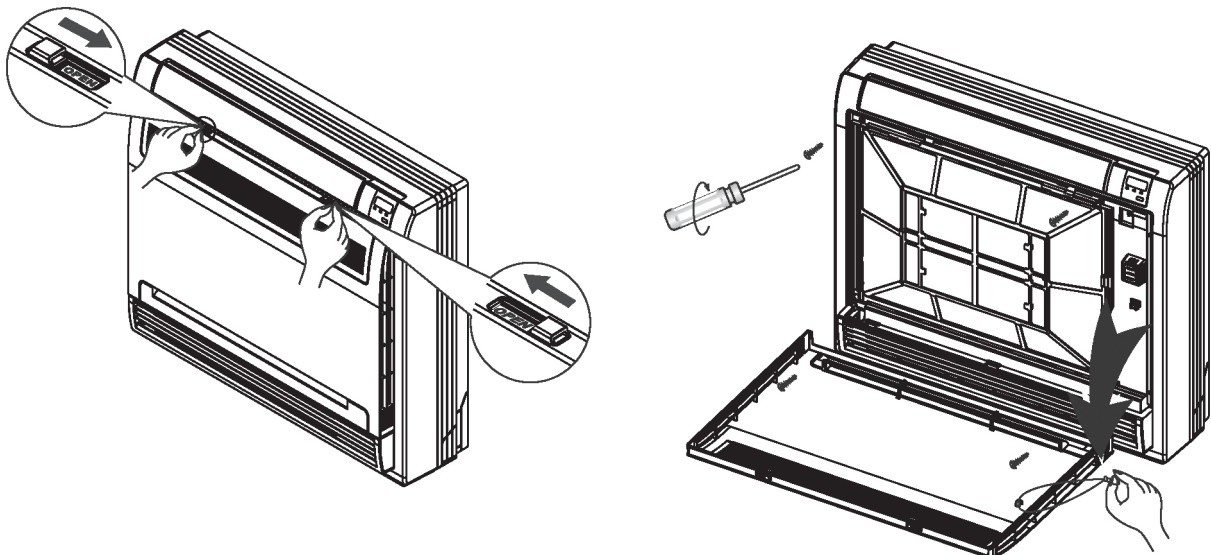
2.2.1 Окачете вътрешното тяло на куката.



2.3 КАК СЕ СВЪРЗВАТ ТРЪБИТЕ И КАБЕЛИТЕ

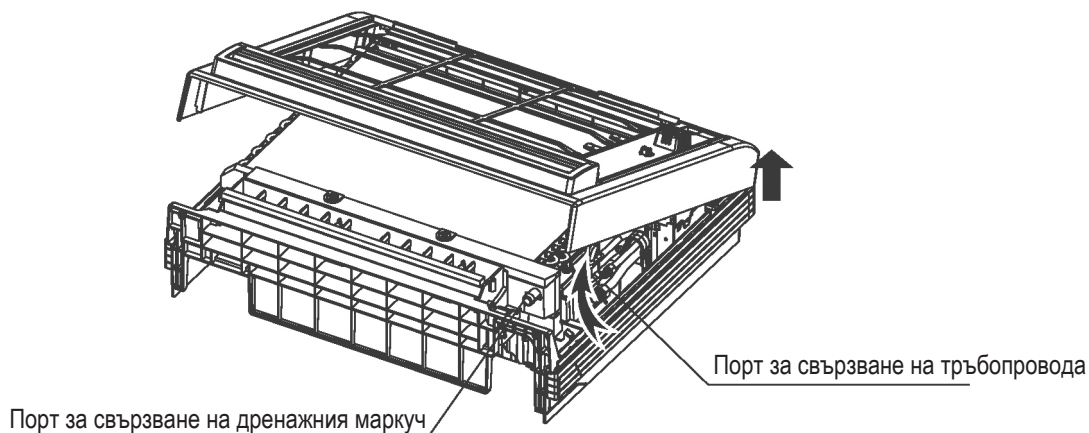
2.3.1 Натиснете двата ключа едновременно и след това отворете панела.

2.3.2 Махнете кордата и извадете панела.

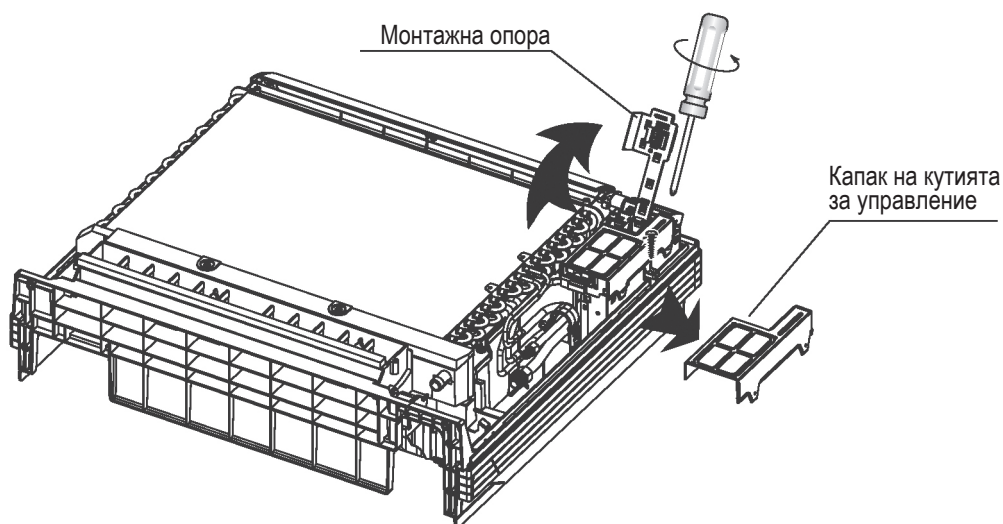


2. МОНТАЖ НА ВЪТРЕШНОТО ТЯЛО

2.3.3 Свалете 4-те винта и след това извадете рамката от долната страна. Портът за свързване на тръбопровода и портът за свързване на дренажния маркуч могат да се видят след снемане на рамката.

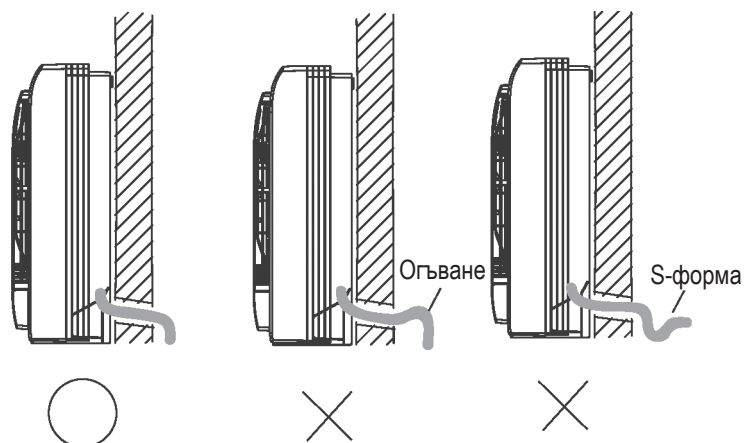


2.3.4 Свалете монтажната опора и извадете капака на кутията за управление. Може да се види кабелният прекъсвач.



2.4 МОНТИРАНЕ НА ДРЕНАЖНАТА ТРЪБА

Дренажната тръба не трябва да има каквато и да е деформация по цялата дължина, да е наклонена надолу и да е изолирана до външната стена.

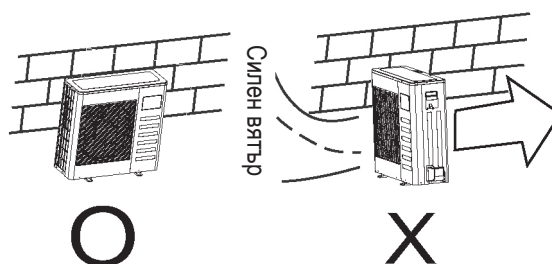


3. МОНТАЖ НА ВЪНШНОТО ТЯЛО

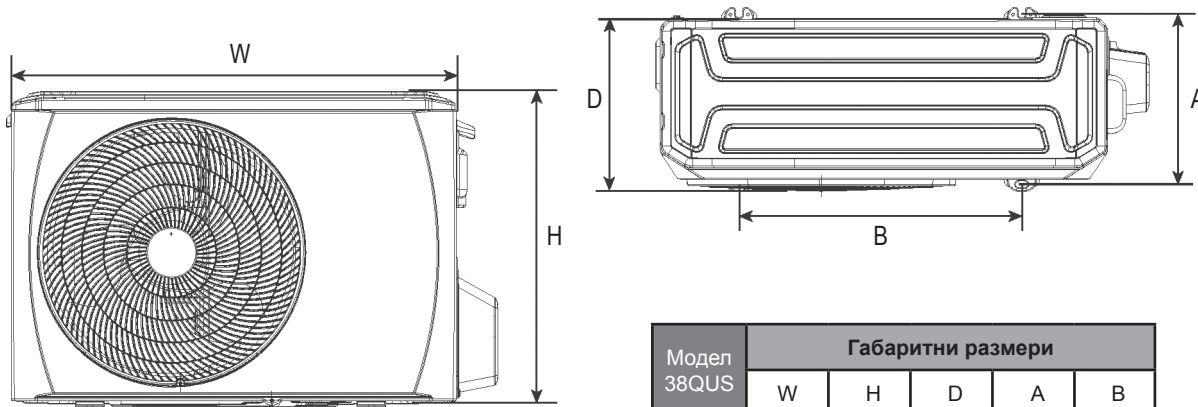
3.1 ИЗБОР НА МЯСТОТО ЗА МОНТАЖ

ВЪНШНО ТЯЛО

- Където няма да бъде изложено на дъжд или пряка слънчева светлина.
- Където има добра вентилация и няма препятствия в близост до входа и изхода за въздух.
- Където не се увеличават работният шум или вибрациите на външното тяло.
- Където не се причиняват никакви проблеми с дренажа на изпусканата вода.
- Монтирайте външното тяло правилно на място, което е достатъчно издръжливо, за да носи теглото на външното тяло.
- Където има достатъчно място
- Където тръбата между вътрешното и външното тяло е в допустимите граници.
- В региони със снеговалежи и с ниски температури избягвайте монтажа на външното тяло на място, на което тялото има вероятност да бъде покрито със сняг. Ако се очакват силни снеговалежи, над външното тяло трябва да се монтира предпазен навес срещу сняг и лед и ветрозащитна преграда с цел предпазване на уреда от натрупване на сняг и блокиране на всмукването на въздух.
- Когато външното тяло се монтира на място, постоянно изложено на силен вятър, се препоръчва използването на ветрозащитна преграда.



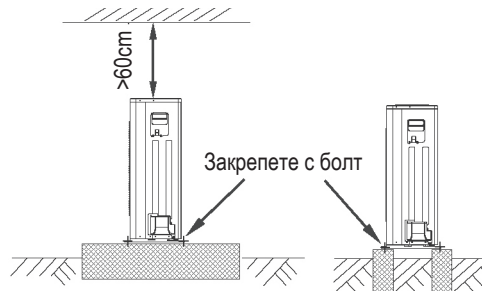
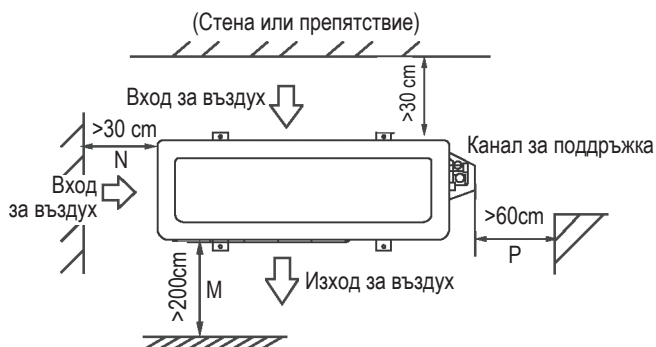
3.2 МОНТАЖНИ РАЗМЕРИ НА ВЪНШНОТО ТЯЛО



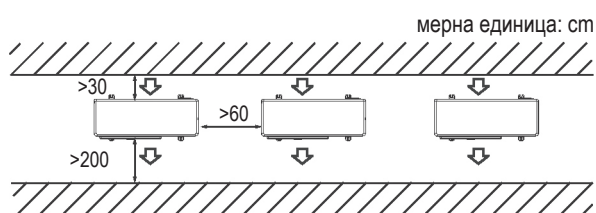
3. МОНТАЖ НА ВЪНШНОТО ТЯЛО

3.3 НЕОБХОДИМО ПРОСТРАНСТВО ЗА ВЪНШНОТО ТЯЛО

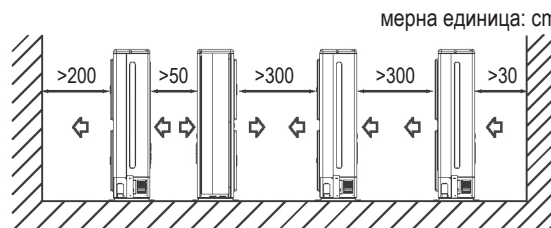
Монтаж на едно тяло



Паралелно свързване на две тела или повече

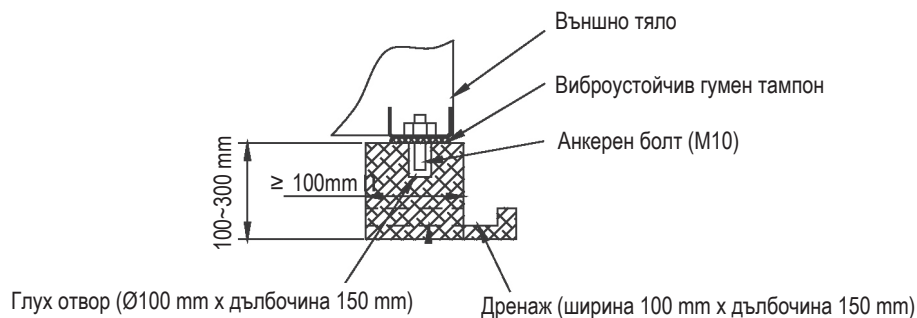


Паралелно свързване на предната със задната страна.



3.4 МОНТИРАНЕ НА ВЪНШНОТО ТЯЛО

- Преди монтажа проверете якостта и хоризонталността на основата, за да не се издава необичаен звук.
- Закрепете здраво основата с анкерни болтове (M10), за да я предпазите от разпадане.
- Монтирайте основата и виброустойчиви гумени тампони за пряка опора на долната повърхност на фиксиращия крак, който е в контакт с долната пластина на външното тяло.



3.5 МОНТИРАНЕ НА ДРЕНАЖНАТА ТРЪБА НА ВЪНШНОТО ТЯЛО

- Свържете отвора за дренаж с удължителен дренажен маркуч.
- Поставете уплътнението на дренажния щуцер.
- Вмъкнете дренажния щуцер в отвора на резервоара на основата на външното тяло и завъртете на 90 градуса, за да ги сглобите надеждно.



4. ТРЪБОПРОВОД НА ХЛАДИЛНИЯ АГЕНТ

ВНИМАНИЕ

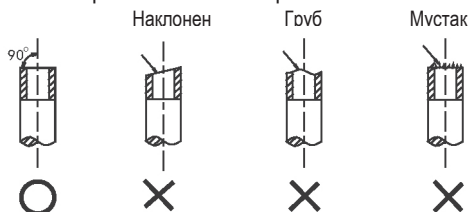
- Проверете дали разликата между височината на вътрешното и на външното тяло и общата дължина на тръбата за хладилния агент отговарят на изискванията на системата.
- Дейностите по тръбопровода за хладилния агент следват монтажа на вътрешното и на външното тяло. Свържете тръбата първо към вътрешната и след това към външната страна.
- Винаги пазете краищата на тръбите затворени с помощта на капачка или покрити с лента по време на монтажа и НЕ ги сваляйте, докато не сте готови да ги свържете.
- Задължително изолирайте целия открит тръбопровод до връзката му вътре в уреда. Всяка оголена част от тръбопровода може да причини конденз или изгаряне при допир.

4.1 РАЗШИРЯВАНЕ

ЗАБЕЛЕЖКА

- Инструментите, които са необходими за разширяване, са машина за рязане на тръби, райбер, разширител и държач на тръбата.
- За моделите с хладилен агент R32 точките за свързване на тръбите трябва да се поставят извън помещението.

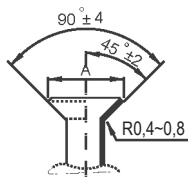
4.1.1 Използвайте машината за рязане на тръби за срязване на тръбата до необходимата дължина. Отрязаният ръб трябва да остане на 90° спрямо стената на тръбата.



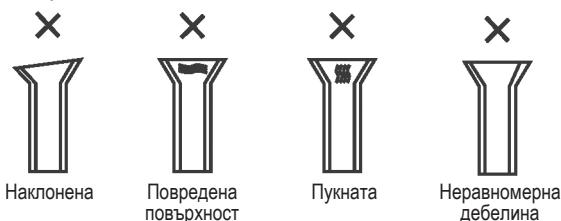
4.1.2 Използвайте райбер за отстраняване на мустаци от срязаната повърхност надолу, за да не попаднат стружки в тръбата.

4.1.3 Разширете с помощта на инструментите, както е показано по-долу.

Външен диаметър	A (mm)	
	Макс.	Мин.
Ø6,35 mm	8,7	8,3
Ø9,52mm	12,4	12,0
Ø12,7 mm	15,8	15,4
Ø15,88 mm	19,0	18,6
Ø19,05 mm	23,3	22,9



4.1.4 Проверете правилното разширяване. Вижте по-долу примери за неправилно разширени тръби.



4.2 РАБОТА ПО ТРЪБИТЕ

4.2.1 Подравнете центъра за затягане на конусната гайка и завършете свързването с помощта на два гаечни ключа.



Големина на тръбата	Въртящ момент
Ø6,35 mm	18 ~ 20 N.m
Ø9,52mm	25 ~ 26 N.m
Ø12,7 mm	35 ~ 36 N.m
Ø15,88 mm	45 ~ 47 N.m
Ø19,05 mm	65 ~ 67 N.m

4.2.2 Изберете подходящ изолационен материал за тръбата за хладилния агент. (Мин. 10 mm, термоизолираща пяна С)

- Използвайте отделни термоизолирани тръби за газ и течности.
- Посочената по-горе дебелина е стандартна за температури на закрито 27 °C и влажност 80%. Ако монтирате при неблагоприятни условия, като например в близост до бани, кухни и други подобни места, подсилете изолацията.
- Температурата на топлоустойчивост на изолацията трябва да бъде над 120°C.
- Използвайте лепила при свързващата част на изолацията, за да предпазите от проникване на влага.
- Ремонттирайте и покрийте всички евентуални пукнатини в изолацията; специално проверете прегънатата част или окачването на тръбата.

ВНИМАНИЕ

- При необходимост от спояване с твърд припой, използвайте продухване с азот.
- Неправилният въртящ момент ще причини увреждане на разширението или теч на газ.

4. ТРЪБОПРОВОД НА ХЛАДИЛНИЯ АГЕНТ

4.3 ТРЪБОПРОВОД НА ХЛАДИЛНИЯ АГЕНТ

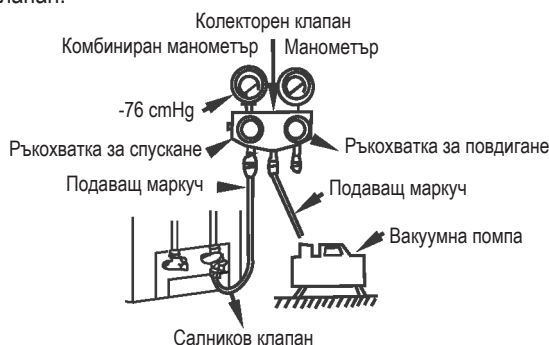
Модел 38QUS	Страна с течност	Страна с газ	Допустима дължина на тръбата (m)	Макс. разлика във височината (m)	Зареждане при по-малка дължина (m)	Допълнително зареждане на метър (R410A/R32)
009/012	Ø6,35 mm	Ø9,52mm	25	10	5	15/12 g/m
018	Ø6,35 mm	Ø12,7 mm	30	20	5	15/12 g/m

ЗАБЕЛЕЖКА: 1) Моля, използвайте инструменти съответно за система R410A/R32;

2) Когато дължината на тръбата е над 5 m, трябва да се добави допълнителен хладилен агент в зависимост от дължината.

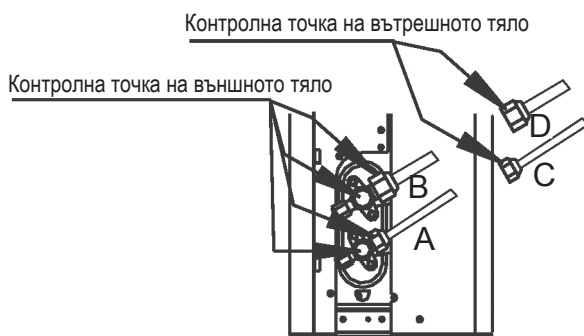
4.4 ОБЕЗВЪЗДУШАВАНЕ

- Свържете подаващия маркуч от колекторния измервателен уред със сервисния порт на салниковия клапан на страната с газ.
- Свържете подаващия маркуч с порта на вакуумната помпа.
- Отворете докрай ръкохватката за спускане на колекторния измервателен уред.
- Включете вакуумната помпа, за да изтеглите въздуха от системата до 76 cmHg.
- Затворете ръкохватката за спускане на колекторния измервателен уред.
- Отворете докрай стеблото на салниковите клапани.
- Демонтирайте подаващия маркуч от сервисния порт.
- Затегнете надеждно капачките на салниковия клапан.



4.5 ПРОВЕРКА ЗА ТЕЧОВЕ

След приключване на дейностите по тръбопровода задължително проверете свързващата част на всяка тръба за хладилен агент и се убедете, че няма теч на газ, като нанесете по тях сапунена вода или с помощта на детектор за теч, специфичен за хладилните агенти HFC. Вижте фигурата по-долу за илюстрация.



- A: Спирателен вентил за ниско налягане
- B: Спирателен вентил за високо налягане
- C и D: Конусни гайки на вътрешното тяло

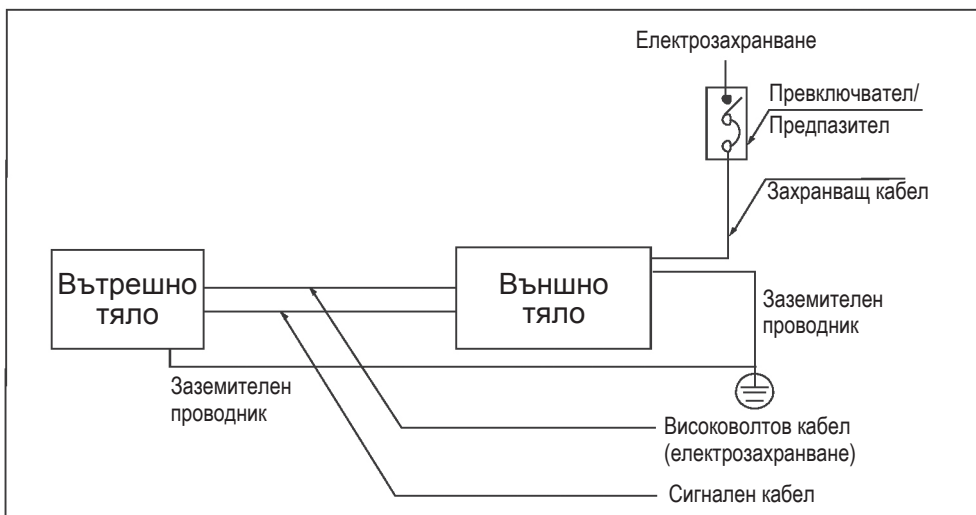
5. СВЪРЗВАНЕ НА ПРОВОДНИЦИТЕ

ВНИМАНИЕ

- Всички електрически връзки трябва да бъдат извършени от квалифицирани електротехници и всички проводници трябва да бъдат свързани в съответствие с електромонтажната схема.
- Направете заземяването преди всички други електрически връзки.
- Всички електрозахранващи източници трябва да бъдат изключени преди започване на работата по свързване на проводниците. Не включвайте електрозахранването, докато не сте се убедили, че всички връзки на проводниците са проверени за безопасност.
- Трябва да се монтира главен изключвател и прекъсвач или предпазител с капацитет над 1,5 пъти максималния ток по веригата.
- Трябва да се използва независима разпределителна верига и единичен контакт, който е предназначен само за този уред.
- Напречното сечение на проводниците зависи от номиналния ток и националния, регионалния и местния правилник за електрически съоръжения. Направете справка в местните правила за строителните дейности и в националните правила за електрическите съоръжения, за да се запознаете със специалните изисквания.
- Ако захранващият кабел е повреден, той трябва да се смени от производителя, от негов сервизен представител или от лице с подобна квалификация, за да се избегне евентуална опасност.
- Уредът трябва да бъде свързан с главната захранваща мрежа чрез прекъсвач или превключвател с разстояние между контактите най-малко 3 mm за всички полюси. Препоръчва се монтирането на устройства за защита срещу остатъчен ток, задействащи се при остатъчен ток, който не надвишава 30 mA.

5.1 ЗАХРАНВАНЕ ОТ ВЪНШНАТА СТРАНА

- Електромонтажна схема



- Спецификация на електрозахранването и на свързващите проводници

Модел (Btu/h)		9k	12k	18k
Електрозахранване	Фаза	1-фаза	1-фаза	1-фаза
	Честота и волтове	220-240V~ 50Hz	220-240V~ 50Hz	220-240V~ 50Hz
Номинален ток		10A	10A	11A
Изчисляване на предпазителите (купуват се отделно)		20A	20A	20A
Захранващ кабел (купува се отделно)		H07RN-F; 3×2,5mm ²	H07RN-F; 3×2,5mm ²	H07RN-F; 3×2,5mm ²
Свързващи кабели за вътрешно/външно тяло (купуват се отделно)		H07RN-F; 4×1,5mm ²	H07RN-F; 4×1,5mm ²	H07RN-F; 4×2,5mm ²

ЗАБЕЛЕЖКА ЗА СПЕЦИФИКАЦИИТЕ НА ПРЕДПАЗИТЕЛИТЕ:

(приложимо за уредите, използващи само хладилен агент R32 и ако предпазителят е направен от керамика.)

1. Спецификацията за предпазителя на външно тяло е T20A/250VAC (за уред <24000Btu/h), T30A/250VAC (за уред >24000Btu/h)
2. Спецификацията за предпазителя на вътрешно тяло е T5A/250VAC, T10A/250VAC.

6. ФИНАЛНА ПРОВЕРКА И ПРОБЕН ПУСК

6.1 СПИСЪК НА ФИНАЛНИТЕ ПРОВЕРКИ

За да приключите монтажа, изпълнете следните проверки преди пробния пуск.

- Якост на монтажа от вътрешната и от външната страна, липса на препятствия за излизания или влизания въздух.
- Затегнатост на свързването на тръбопровода за хладилен агент и липса на теч
- Правилно извършени електрически връзки и заземяване на уреда
- Проверка на общата дължина на тръбопровода и записване на обема на допълнително заредения хладилен агент
- Електрозахранването трябва да съответства на номиналното напрежение на климатика
- Изолация на тръбата
- Дренаж

6.2 РЪЧНО УПРАВЛЕНИЕ

Ръчното управление може да се осъществява с натискане на бутона за ръчно управление на панела на дисплея.

Натиснете бутона за ръчно управление последователно няколко пъти, за да промените режима на работа, както следва:

- Еднократно = режим AUTO (автоматичен) [отопление, охлаждане или вентилатор, 24°C и автоматични обороти на вентилатора.
- Двукратно = режим COOLING (охлаждане) [превключва се в автоматичен режим след 30 минути (използва се предимно за пробен пуск)]
- Трикратно = OFF (изключване)

6.3 ПРОБЕН ПУСК

Включете климатика в режим за охлаждане с дистанционното управление (или с бутона за ръчно управление) и проверете състоянието на вътрешното и на външното тяло. В случай на някаква неизправност я отстранете съобразно глава „Отстраняване на неизправности“ в „Ръководството за сервизно обслужване“.

Вътрешно тяло

- Дали бутоните (като например ON/OFF (вкл./изкл.), MODE (режим), TEMPERATURE (температура), FAN SPEED (обороты на вентилатора) и др.) на дистанционното управление работят добре.
- Дали пластината се движи нормално.
- Дали стайната температура е настроена добре.
- Дали индикаторните светлини на панела на дисплея са нормални.
- Дали „ръчният“ бутон работи добре.
- Дали дренажът е нормален.
- Дали по време на работа има вибрации или необичаен шум.
- Дали вътрешното тяло работи добре в режимите COOLING (охлаждане) и HEATING (отопление).

Външно тяло

- Дали по време на работа има вибрации или необичаен шум.
- Дали вятърът, шумът или кондензът, генерирани от климатика, безпокоят съседите.
- Дали има теч на хладилен агент.



ВНИМАНИЕ

- Когато рестартирате уреда, ще има около 3 минути закъснение на старта с цел защита.

7. ИНФОРМАЦИЯ ОТНОСНО СЕРВИЗНОТО ОБСЛУЖВАНЕ

7.1 ПРОВЕРКИ В ЗОНАТА

Преди да се започне работа по системи, съдържащи запалими хладилни агенти, трябва да се проведат проверки на безопасност, за да се минимизира рискът от запалване. При поправяне на охладителната система трябва да се спазват следните предпазни мерки, преди да се провежда работа по системата.

7.2 ПРОЦЕДУРА ЗА РАБОТА

Работата трябва да се предприема по контролирана процедура, за да се минимизира рискът от това да има запалим газ или изпарения при извършването на работата.

7.3 ОБЩА РАБОТНА ПЛОЩ

Целият персонал и другите хора, които работят в близост, трябва да бъдат инструктирани във връзка с естеството на извършваната работа. Трябва да се избягва работа в затворени пространства. Зоната около работното място трябва да бъде заградена. Уверете се, че условията в зоната са обезопасени чрез контролиране на запалимите материали.

7.4 ПРОВЕРКА ЗА НАЛИЧИЕТО НА ХЛАДИЛЕН АГЕНТ

Зоната трябва да бъде проверена с подходящия детектор на охладител преди и по време на работа, за да бъде техникът напълно запознат с потенциално запалимата атмосфера. Уверете се, че използваното оборудване за откриване на течове е подходящо за употреба със запалими хладилни агенти, т.е. да не изпуска искри, да е пломбирано правилно или да е искробезопасно.

7.5 НАЛИЧНОСТ НА ПОЖАРОГАСИТЕЛ

Ако ще се извършва работа на висока температура върху оборудването на хладилния агент или на свързани с него части, трябва да е на разположение подходящо пожарогасително оборудване. Пригответе сух прах или пожарогасител с въглероден диоксид близо до зоната за зареждане.

7.6 ЛИПСА НА ИЗТОЧНИЦИ НА ЗАПАЛВАНЕ

При извършването на работа във връзка с охладителна система, която включва откриването на каквато и да е тръба, която съдържа или е съдържала запалим охладителен агент, не трябва да се използват никакви източници на запалване по начин, който може да създаде риск от пожар или взрив. Всички възможни източници на запалване, включително тютюнопушенето, трябва да бъдат на достатъчно разстояние от мястото на монтиране, поправка, отстраняване и изхвърляне, по време на които е възможно да се освободи запалим хладилен агент във въздуха. Зоната около оборудването трябва да бъде прегледана преди започването на работа, за да е сигурно, че не са налични опасности във връзка със запалимост или рискове от запалване. Трябва да бъдат поставени знаци „ПУШЕНЕТО ЗАБРАНЕНО“.

7.7 ВЕНТИЛИРАНА ЗОНА

Уверете се, че зоната е открита или че е достатъчно проветрена, преди да прекъснете системата или да започнете работа при високи температури. По време на ремонтните работи трябва да продължи да се осъществява известна степен на вентилация. Вентилацията трябва безопасно да разпръсне всяко количество освободен хладилен агент, като е препоръчително той да бъде отделен външно в атмосферата.

7.8 ПРОВЕРКИ НА ХЛАДИЛНОТО ОБОРУДВАНЕ

Когато е необходима смяна на електрически компоненти, те трябва да са годни за целта и да отговарят на съответните спецификации. Указанията на производителя за поддръжката и сервизното обслужване трябва да се спазват винаги. При съмнения се консултирайте с техническия отдел на производителя за помощ. За инсталации, които използват запалими хладилни агенти, трябва да се прилагат следните проверки:

7. ИНФОРМАЦИЯ ОТНОСНО СЕРВИЗНОТО ОБСЛУЖВАНЕ

- дали количеството на зареждане съответства на размера на помещението, в което се инсталират частите, съдържащи хладилен агент;
- дали вентилационната система и отдушниците работят правилно и не са запушени;
- ако се използва непряк кръг на хладилния агент, вторичните кръгове трябва да се проверяват за наличието на хладилен агент; дали маркировката на оборудването все още е видима и четлива.
- да се коригират обозначенията и знаците, които са нечетливи;
- дали охладителните тръбопроводи или компоненти са монтирани на място, където няма вероятност да са изложени на контакт с вещества, които могат да доведат до корозия на компонентите, съдържащи хладилен агент, освен ако компонентите не са изработени от материали, които са устойчиви на корозия или имат подходящата защита срещу корозия.

7.9 ПРОВЕРКИ НА ЕЛЕКТРИЧЕСКИТЕ УРЕДИ

Ремонтите на електрическите компоненти ще включват първоначални проверки на безопасност и процедури за инспекция на компонентите. Ако съществува повреда, която може да компрометира безопасността, към веригата не трябва да е свързват никакви електрически уреди, докато проблемът не бъде отстранен. В случай че повредата не може да бъде отстранена незабавно, а е необходимо уредът да продължи работа, следва да бъде приложено адекватно временно решение. Това следва да бъде съобщено на притежателя на оборудването, за да бъдат информирани всички страни.

Първоначалните проверки на безопасност трябва да включват:

- източване на кондензаторите: това трябва да се извършва по безопасен начин, за да се избегне възможността от изпускане на искри
- проверка за оголени електрически компоненти и кабели под напрежение по време на зареждането, възстановяването или продухването на системата;
- проверка за непрекъснатост на заземяването.

7.10 РЕМОТ НА КОМПОНЕНТИ С УПЛЪТНЕНИЕ

- 10.1 При ремонтни работи по компоненти с уплътнение всяко електрическо захранване трябва да бъде изключено от уреда, по който се работи, преди всякакво сваляне на затворени капацити и т.н. Ако е абсолютно наложително да има електрическо захранване към уреда по време на сервизното обслужване, трябва да се използва някакъв вид постоянно работещо оборудване за откриване на течове, разположено в най-критичната точка, което да предупреждава за потенциално опасни ситуации.
- 10.2 Трябва да се обръща особено внимание на следното, за да се гарантира, че корпусът не е променен при работата над електрическите компоненти по такъв начин, че да е засегнато нивото на защита. Това включва повреда на кабелите, прекалено голям брой връзки, терминали, които не отговарят на оригиналните спецификации, повреда в уплътненията, неправилно монтиране на връзки и т.н.
- Уверете се, че апаратът е монтиран надеждно.
 - Уверете се, че уплътненията и уплътнителните материали не са повредени дотолкова, че вече да не предотвратяват навлизането на запалима атмосфера. Резервните части трябва да отговарят на спецификациите на производителя.

ЗАБЕЛЕЖКА: Употребата на силиконов уплътнител може да намали ефективността на някои видове оборудване за откриване на течове. Искробезопасните компоненти не се нуждаят от изолиране, преди да се започне работа по тях.

7.11 РЕМОТ НА ИСКРОБЕЗОПАСНИТЕ КОМПОНЕНТИ

Не използвайте постоянен индуктивен или капацитетен товар във веригата, без да се уверите, че той няма да надвиши допустимото напрежение и тока, които са позволени за използваното оборудване. Искробезопасните компоненти са единствените видове, по които може да се работи под напрежение при наличието на запалима атмосфера. Апаратурата за изпитване трябва да има правилната класификация. Компонентите трябва да се заменят само с части, посочени от производителя. Други части могат да доведат до запалване на хладилния агент в атмосферата от теч.

7. ИНФОРМАЦИЯ ОТНОСНО СЕРВИЗНОТО ОБСЛУЖВАНЕ

7.12 ОКАБЕЛЯВАНЕ

Уверете се, че кабелите няма да са изложени на износване, корозия, прекомерно налягане, вибрации, остри ръбове или друг вид неблагоприятни ефекти на околната среда. Проверката трябва също така да вземе предвид ефектите от стареенето или продължителното вибриране, причинено от източници като компресори или вентилатори.

7.13 ОТКРИВАНЕ НА ЗАПАЛИМИ ХЛАДИЛНИ АГЕНТИ

В никакъв случай не трябва да се използват потенциални източници на запалване при търсенето на изтичане на хладилен агент. Не трябва да се използва халидна горелка (или друг вид оборудване за откриване на течове с открит пламък).

7.14 МЕТОДИ ЗА ОТКРИВАНЕ НА ТЕЧОВЕ

Следните методи за откриване на течове са приемливи за системи, които съдържат запалими хладилни агенти. За откриването на запалими хладилни агенти трябва да се използват електронни детектори за откриване на течове, но чувствителността може да не е подходяща или да има нужда от калибриране. (Оборудването за откриване на течове трябва да се извършва в зона без наличие на хладилен агент.) Уверете се, че детекторът не е потенциален източник на запалване, както и че е подходящ за хладилния агент. Оборудването на откриване на течове трябва да се настройва на процента на ниската граница на запалимост за хладилния агент и да се калибрира спрямо използвания хладилен агент, както и да се потвърди подходящия процент на газ (максимум 25%). Течностите за откриване на течове са подходящи за употреба с повечето хладилни агенти, но употребата на препарати със съдържание на хлор трябва да се избягва, тъй като хлорът може да взаимодейства с хладилния агент и да доведе до корозия на медните тръбопроводи. Ако има подозрения за теч, всички открити пламъци трябва да се отстранят или изгасят. Ако бъде открит теч на хладилен агент, който налага запояване, цялото количество хладилен агент трябва да бъде изведено от системата или изолирано (чрез спирателни вентили) в част от системата, която е далеч от теча. След това безкислородният азот трябва да се продуха през системата както преди, така и по време на процеса на запояване.

7.15 ОТСТРАНЯВАНЕ И ОБЕЗВЪЗДУШАВАНЕ

При нарушаване на кръга на хладилния агент за ремонтни дейности или по друга причина трябва да се прилагат конвенционални процедури. Важно е обаче да се прилагат най-добрите практики, тъй като трябва да се вземе предвид запалимостта. Трябва да се спазва следната процедура:

- отстранете хладилния агент;
- продухайте веригата с инертен газ;
- обезвъздушете;
- продухайте отново с инертен газ;
- отворете веригата чрез срязване или запояване.

Зареденият хладилен агент трябва да бъде източен в правилните цилиндри за извличане. Системата трябва да се прочисти с безкислороден азот, за да се обезопаси уредът. Може да се наложи да повторите този процес няколко пъти.

За тази цел не трябва да се използва сгъстен въздух или кислород.

Прочистването трябва да се извърши, като се наруши вакуумът в системата с безкислороден азот, като пълненето трябва да продължи, докато се постигне работното налягане. След това се обезвъздушава към атмосферата и накрая се изтегля въздухът до възвръщане на вакуума. Този процес трябва да се повтаря, докато не остане никакъв хладилен агент в системата.

Когато се използва последният заряд безкислороден азот, системата трябва да бъде обезвъздушена до постигане на атмосферно налягане, за да се позволи извършването на работа. Тази операция е напълно задължителна, ако ще се извършват запойтелни дейности по тръбите. Уверете се, че отворът за вакуумната помпа не е затворен за източници на запалване, както и че е налична вентилация.

7. ИНФОРМАЦИЯ ОТНОСНО СЕРВИЗНОТО ОБСЛУЖВАНЕ

7.16 ПРОЦЕДУРИ НА ЗАРЕЖДАНЕ

Освен конвенционалните процедури на зареждане трябва да се спазват следните изисквания:

- Уверете се, че няма други замърсявания освен хладилния агент при употреба на оборудването за зареждане. Маркучите и тръбите трябва да са възможно най-кратки, за да се минимизира съдържанието на хладилен агент в тях.
- Цилиндриите трябва да се държат в изправено положение.
- Уверете се, че охладителната система е заземена, преди да заредите системата с хладилен агент.
- Поставете означение на системата, след като приключи зареждането (ако няма такова).
- Трябва изключително много да се внимава да не се препълни охладителната система.
- Преди презареждане на системата, налягането трябва да бъде изпитано с безкислороден азот. Системата трябва да бъде проверена за течове, след като е завършено зареждането, но преди да се пусне обратно в експлоатация. Контролно изпитване за течове

7.17 ИЗВЕЖДАНЕ ОТ ЕКСПЛОАТАЦИЯ

От съществено значение е преди извършването на процедурата техникът да е напълно запознат с оборудването във всичките му детайли. Препоръчана добра практика е всички хладилни агенти да се изведат по безопасен начин. Преди извършването на задачата трябва да се вземе проба от маслото и хладилния агент.

В случай че се наложи анализ преди повторната употреба на възстановения хладилен агент, от съществено значение е наличието на електрическо захранване преди започване на задачата.

- а) Запознайте се с оборудването и неговата експлоатация.
- б) Изолирайте електрическата система
- в) Преди да започнете процедурата, се уверете, че:
 - има налично механично оборудване за боравене с цилиндриите с хладилен агент при необходимост;
 - всички лични предпазни средства са на разположение и се използват правилно;
 - процесът на възстановяване се наблюдава през цялото време от компетентно лице;
 - оборудването и цилиндриите за възстановяване спазват съответните стандарти.
- г) При възможност изпомпайте охладителната система.
- д) Ако не е възможно постигането на вакуум, направете колектор, за да може хладилният агент да бъде премахнат от различните части на системата.
- е) Уверете се, че цилиндърът се намира на везните, преди да започне процесът на възстановяване.
- ж) Включете машината за възстановяване и работете съгласно инструкциите на производителя.
- з) Не препълвайте цилиндриите. (Зареждане с течност до не повече от 80% от обема).
- и) Не надвишавайте минималното работно налягане на цилиндъра дори временно.
- й) След като цилиндриите са напълнени правилно и процесът е завършен, уверете се, че цилиндриите и оборудването са премахнати от обекта незабавно, както и че всички клапани за изолиране в оборудването са затворени.
- к) Възстановеният хладилен агент не трябва да бъде зареждан в друга охладителна система, освен ако не е бил почистен и проверен.

7.18 ОБОЗНАЧАВАНЕ

На оборудването трябва да се постави обозначение, че е изведено от експлоатация, както и че не съдържа хладилен агент. Обозначението трябва да съдържа дата и подпис. Уверете се, че на оборудването има обозначения, които посочват, че оборудването съдържа запалим хладилен агент.

7. ИНФОРМАЦИЯ ОТНОСНО СЕРВИЗНОТО ОБСЛУЖВАНЕ

7.19 ВЪЗСТАНОВЯВАНЕ

- При отстраняването на хладилен агент от система както за сервизно обслужване, така и при извеждане от експлоатация е препоръчана добра практика всички хладилни агенти да се отстраняват безопасно.
- При прехвърляне на хладилния агент в цилиндри се уверете, че се използват само подходящи цилиндри за възстановяване на хладилен агент. Уверете се, че имате на разположение правилния брой цилиндри за съхранение на цялото количество зареден хладилен агент. Всички цилиндри, които ще бъдат използвани, са предназначени за възстановения хладилен агент и са обозначени за същия агент (като например специалните цилиндри за възстановяването на хладилен агент). Цилиндри трябва да бъдат оборудвани с предпазен клапан и свързани спирателни вентили в изправност.
- Празните цилиндри за възстановяване се обезвъздушават и ако е възможно, се охлаждат, преди да се състои възстановяването.
- Оборудването за възстановяване трябва да бъде в изправност и да разполага с инструкции за наличното оборудване, както и да е подходящо за възстановяването на запалими хладилни агенти. Освен това трябва да е наличен набор от изправни везни за претегляне.
- Маркучите трябва да са оборудвани със съединители с отключващо устройство без наличие на течове и да са в изправност. Преди да използвате машината за възстановяване, проверете дали е в достатъчна изправност, дали е била поддържана в добро състояние и дали свързаните с нея електрически компоненти са уплътнени с цел предотвратяване на запалване при освобождаване на хладилен агент. При съмнения се свържете с производителя.
- Възстановеният хладилен агент трябва да бъде върнат на доставчика на хладилни агенти в правилния цилиндър за възстановяване и трябва да бъде уредено съответното разрешително за транспорт на отпадъци. Не смесвайте хладилните агенти в уредите за възстановяване особено в цилиндри.
- Ако трябва да се премахват компресори или компресорно масло, уверете се, че те са били обезвъздушени в приемлива степен, за да се гарантира, че в смазката няма да остане запалим хладилен агент. Процесът на обезвъздушаване трябва да бъде извършен преди връщането на компресора на доставчиците. За ускоряване на този процес трябва да се прилага само електроподгръване на тялото на компресора. Източването на масло от система трябва да се извършва внимателно.

7.20 ТРАНСПОРТИРАНЕ, ОБОЗНАЧАВАНЕ И СЪХРАНЕНИЕ НА ТЕЛАТА

1. Транспортиране на оборудване, което съдържа запалими хладилни агенти
Спазване на транспортните разпоредби
2. Обозначаване на оборудването със знаци
Спазване на местните разпоредби
3. Обезвреждане на оборудване чрез запалими хладилни агенти
Спазване на националните разпоредби
4. Съхранение на оборудването/уредите
Съхранението на оборудването трябва да се извършва в съответствие с инструкциите на производителя.
5. Съхранение на опаковано (непродадено) оборудване
Предпазната опаковка за съхранение трябва да е изработена така, че механични повреди на оборудването в опаковката да не могат да причинят течове на хладилния агент.
Максималният брой съоръжения, които се позволява да се съхраняват на едно място, ще се определя от местните разпоредби.

Utvrđeno je da je ovaj proizvod usklađen s Direktivom o niskonaponskim uređajima (2014/35/EC) i Direktivom o elektromagnetskoj kompatibilnosti (2014/30/EC) Evropske unije.



Pravilno odlaganje ovog proizvoda (Elektronski i elektronički otpad)

(Kada se ovaj klima uređaj koristi u evropskim zemljama, potrebno je pridržavati se smjernica u nastavku.)

- Ova oznaka prikazana na proizvodu ili njenoj literaturi, navodi da električna i elektronska oprema (WEEE kao u Direktivi 2012/19/EU), ne smije se miješati s opštim kućnim otpadom.

Zabranjeno je odlagati ovaj uređaj s kućnim otpadom.

Postoji nekoliko mogućnosti za odlaganje:

1. Općina je ustanovila punktove za prikupljanje na kojima je moguće odložiti elektronski otpad u najboljem slučaju besplatno za korisnika.
2. Prilikom kupovine novog proizvoda prodavač će u najboljem slučaju preuzeti stari proizvod besplatno.
3. Proizvođač će preuzeti stari uređaj da bi ga odložio, a u najboljem slučaju besplatno za korisnika.
4. Pošto stari proizvodi sadrže vrijedne resurse, mogu se prodati trgovcima starim željezom.

Divlje odlaganje otpada u šumama i krajolicima ugrožava vaše zdravlje kada opasne materije iscuru u podzemne vode i prodru u lanac ishrane.

Ovaj proizvod sadrži fluorirane gasove koji su obuhvaćeni Protokolom iz Kyota

Hemijski naziv gasa

R410A / R32

Potencijal globalnog zagrijavanja (GWP) gasa

2088 / 675



1. Nalijepite priloženu etiketu rashladnog sredstva na lokaciju za punjenje i/ili oporavak.
2. Čitljivo zapišite na etiketi rashladnog sredstva neizbrisivom tintom količinu rashladnog sredstva korištenu za punjenje.
3. Spriječite ispuštanje sadržanog fluoriranog gasa. Pazite da se fluorirani gas tokom instalacije, servisiranja ili odlaganja nikada ne ispušta u atmosferu. Ako se otkrije bilo kakvo curenje sadržanog fluoriranog gasa, curenje treba zaustaviti i kvar što prije popraviti.
4. Pristup ovom proizvodu i njegovo servisiranje smiju obavljati samo kvalificirani serviseri.
5. Bilo kakvo rukovanje fluoriranim gasom u ovom proizvodu, na primjer tokom premještanja proizvoda ili ponovnog punjenja gasom, mora biti u skladu s Uredbom br. 517/2014 (EC) o određenim fluoriranim stakleničkim gasovima i u skladu sa svim relevantnim lokalnim zakonima.
6. Ako imate bilo kakva pitanja, obratite se distributerima, instalaterima itd.

Unutrašnja jedinica	Dimenzija (UJ)	Vanjska jedinica	Dimenzija (VJ)	Nazivni naponi i frekvencije
42QZA009DS*	700x600x210	38QUS009DS*	770x300x555	
42QZA012DS*	700x600x210	38QUS012DS*	800x333x554	220 – 240 V~ 50 Hz
42QZA012D8S*	700x600x210	38QUS012D8S*	800x333x554	
42QZA018DS*	700x600x210	38QUS018DS*	800x333x554	

Proizvođač pridržava pravo da bez prethodnog obavještenja promijeni bilo koju specifikaciju proizvoda.

SADRŽAJ

1. PRIPREMA ZA INSTALACIJU	3
1.1 Mjere predostrožnosti	3
1.2 Pribor	4
2. INSTALACIJA UNUTRAŠNJE JEDINICE	6
2.1 Izbor mjesta instalacije	6
2.2 Instalirajte unutrašnju jedinicu	7
2.3 Kako spojiti cijevi i kablove	7
2.4 Instalirajte odvodnu cijev	8
3. INSTALACIJA VANJSKE JEDINICE	9
3.1 Izbor mjesta instalacije	9
3.2 Dimenzije montiranja vanjske jedinice	9
3.3 Prostor potreban za vanjsku jedinicu	10
3.4 Instalirajte vanjsku jedinicu	10
3.5 Instalirajte odvodnu cijev za kondenzat za vanjsku jedinicu	10
4. POSTAVLJANJE CIJEVI ZA SREDSTVO ZA HLAĐENJE	11
4.1 Proširenje cijevi	11
4.2 Postavljanje cijevi	11
4.3 Cijev za sredstvo za hlađenje	12
4.4 Pražnjenje zraka iz cijevi	12
4.5 Test curenja	12
5. POSTAVLJANJE KABLOVA	13
6. POSLJEDNJA KONTROLA I PROBNI RAD	14
6.1 Zadnja kontrolna lista	14
6.2 Ručni rad	14
6.3 Probní rad	14
7. INFORMACIJE O SERVISIRANJU	15



Oprez: Rizik od požara samo za rashladno sredstvo R32/R290

1. PRIPREMA ZA INSTALACIJU

1.1 SIGURNOSNE MJERE

- Instaliranje, pokretanje i servisiranje opreme za klimatizaciju može biti opasno zbog sistemskih pritisaka, električnih komponenti i lokacije opreme (krovovi, uzdignute konstrukcije itd.).
- Ovu opremu trebaju instalirati, pokretati i servisirati samo obučeni, kvalificirani instalateri i servisni mehaničari.
- Prilikom rada na opremi pridržavajte se mjera opreza navedenih u pratećim dokumentima i na oznakama, naljepnicama i etiketama pričvršćenim na opremu.
- Pratite sve sigurnosne kodove. Nosite zaštitne naočale i radne rukavice. Prilikom lemljenja držite u blizini mokru krpu i aparat za gašenje požara. Budite oprezni prilikom rukovanja, namještanja i postavljanja glomazne opreme.
- Temeljito pročitajte ova uputstva i pridržavajte se svih upozorenja ili mjera opreza u pratećim dokumentima i na jedinici. Posebne zahtjeve potražite u lokalnim propisima za građevinarstvo i elektroinstalacije.

UPOZORENJE

Ovaj simbol ukazuje na mogućnost fizičke ozljede ili gubitka života.

- **Rashladni gas je teži od zraka i zamijenjuje kisik. Obilno curenje može dovesti do manjka kisika, posebno u podrumima, te izazvati opasnost od gušenja i time ozbiljne povrede ili smrt.**
- **Ako je klima uređaj instaliran u maloj prostoriji, poduzmite potrebne mjere da biste osigurali da koncentracija iscurjelog sredstva za hlađenje u prostoriji ne prekoračava kritičnu razinu.**
- **Ako rashladni gas curi tokom instalacije, odmah provjetrite prostoriju.**
Rashladni gas može proizvesti otrovni gas ako dođe u kontakt s vatrom, na primjer iz grijalice, štednjaka ili kuhala. Izloženost tom gasu može prouzrokovati ozbiljnu ozljedu ili smrt.
- **Isključite iz izvora napajanja prije bilo kakvih električarskih radova. Ispravno povežite kabl za spajanje.**
Pogrešno povezivanje može dovesti do oštećenja električnih dijelova.
- **Koristite specificirane kablove za električni priključak i spojite ih čvrsto na spojne letvice tako da je spoj zaštićen od vanjskih sila.**
- **Obavezno uzemljite uređaj.**
Nemojte uzemljivati jedinice preko gasnih i cijevi za vodu, gromobrana ili telefonskih žica. Nepotpuno uzemljenje može izazvati ozbiljnu opasnost od električnog udara, što može rezultirati teškim ozljedama ili smrću.
- **Ambalažu odložite na siguran način.**
Materijali u ambalaži, kao što su ekseri i drugi metalni ili drveni dijelovi, mogu izazvati ubodne rane ili druge ozljede. Raskidajte i bacite plastične ambalažne kesice da se djeca ne bi igrala s njima. Djeca koja se igraju s plastičnim kesicama izložena su opasnosti od gušenja.
- **Nemojte instalirati uređaj blizu mjesta s visokom koncentracijom zapaljivog gasa ili gasnih para.**
- **Koristite samo isporučene dijelove za instalaciju ili tačno one koji su navedeni u specifikaciji.**
Korištenjem drugih dijelova može se poremetiti rad uređaja te može doći do curenja, strujnog udara, požara ili oštećenja uređaja.
- **Prilikom instaliranja ili premještanja sistema pazite da u rashladni sistem ne dospije zrak ili bilo koja tvar osim rashladnog sredstva navedenog u specifikacijama (R410A/R32).**
- **Nipošto ne modificirajte ovu jedinicu uklanjanjem bilo koje sigurnosne zaštite ili zaobilazanjem sigurnosnih prekidača.**
- **Električarski radovi se moraju izvesti u skladu s priručnikom za instalaciju te državnim i lokalnim propisima za elektroinstalacije.**
- **Obavezno koristite namjenski sklop za napajanje. Nikada ne koristite utičnicu koju koriste drugi uređaji.**

1. PRIPREMA ZA INSTALACIJU

⚠ UPOZORENJE

- Da biste izbjegli opasnost od nenamjernog resetiranja sklopke za isključivanje iz struje u slučaju previsoke temperature, ovaj uređaj se ne smije napajati putem vanjskih uređaja za automatsko uključivanje, kao što je tajmer, ili se priključivati na strujno kolo koje komunalne službe redovno isključuju i uključuju.
- Koristite propisane kablove za električni priključak koji su zaštićeni izolacijskom oblogom i imaju odgovarajuće temperaturno područje.
Neodgovarajući kablovi mogu dovesti do gubitka električne energije, zagrijavanja ili požara.
NAPOMENA: Sljedeće informacije su potrebne za primjenu R32 / R290 rashladnog sredstva.
- Uređaj se treba čuvati u prostoriji bez neprestano aktivnih izvora paljenja. (na primjer: otvoreni plamen i radni uređaj na plin ili električni grijač koji radi).
- Nemojte bušiti i spaljivati uređaj.
- Imajte na umu da sredstva za hlađenje mogu sadržati razne mirise.
- Potrebno je da se pridržavate nacionalnih propisa o plinu.
- Upozorenje; uređaj je potrebno skladištiti u dobro provjetrenom području gdje veličina sobe odgovara području prostorije za rad, kako je prethodno navedeno.
- Uređaj se treba postaviti, da se njime rukuje i skladištiti u prostoriji s površinom poda većom od $X \text{ m}^2$, montaža cijevi se mora čuvati na najmanje $X \text{ m}^2$ (pogledajte sljedeći obrazac).
- Uređaj se ne smije postavljati u neuređenom prostoru, ako je taj prostor manji od $X \text{ m}^2$ (pogledajte sljedeći obrazac).
Prostorije gdje cijevi za hlađenje moraju biti u skladu s nacionalnim propisima o plinu.

Model (Btu/h)	Količina rashladnog sredstva za punjenje (kg)	maksimalna visina instalacije (m)	Minimalna površina prostorije (m^2)
≤ 30000	$\leq 2,048$	1,8 m	4
		0,6 m	35
30000-48000	2,048-3,0	1,8 m	8
		0,6 m	80
> 48000	$> 3,0$	1,8 m	9
		0,6 m	80

Napomena o fluoriranim plinovima

- Ova jedinica za klimatizaciju sadrži fluorirane plinove. Za specifične informacije o vrsti i količini plina, pogledajte odgovarajuću etiketu na samoj jedinici.
- Montažu, servisiranje, održavanje i popravku ove jedinice mora obaviti certifikovani tehničar.
- Deinstalaciju proizvoda i reciklažu mora obaviti certifikovani tehničar.
- Ako sistem ima instaliran sistem za otkrivanje curenja, svakih 12 mjeseci mora se provjeriti da li je došlo do curenja.
- Kada se jedinica provjerava da li ima curenja, preporučuje se pravilno obavljanje svih provjera.

1. PRIPREMA ZA INSTALACIJU



OPREZ

Ovaj simbol ukazuje na mogućnost štete na imovini ili ozbiljne posljedice.

- Da biste izbjegli fizičku ozljedu, pažljivo rukujte dijelovima s oštrim rubovima.
- Nemojte postavljati unutrašnju ili vanjsku jedinicu na mjesto na kojem vladaju posebni uvjeti okoliša.
- Nemojte ih instalirati na mjestima koja mogu pojačati nivo buke ili gdje buka i ispušni zrak mogu smetati susjedima.
- Izvedite radove postavljanja cijevi i odvodnih cijevi za kondenzat u skladu s instalacijskim priručnikom. Nepravilne cijevi za odvod mogu dovesti do curenja vode i štete na imovini.
- Ne instalirajte klima uređaj na sljedećim mjestima
 - Mjesta na kojim se nalaze mineralna ulja ili arsenska kiselina
 - Mjesta na kojim se mogu nakupiti korozivni gasovi (kao npr. gas sumporne kiseline), zapaljivi gasovi (npr. razrjeđivač) ili na kojim se rukuje nestabilnim zapaljivim tvarima.
 - Mjesta na kojim se nalazi oprema koja generira elektromagnetska polja ili visoke frekvencije

1.2 PRIBOR

Sljedeći pribor se isporučuje zajedno s jedinicom. Tip i količina se mogu razlikovati zavisno od specifikacija.

Naziv pribora	Količina (dijel.)	Oblik	Upotreba
Priručnik	3		<Instalacijski priručnik>, <Korisnički priručnik>, <Priručnik za daljinski upravljač> (ili <Upravljač s kablom>)
Brtva	1		Zabrtvite odvodni ispust za vanjsku jedinicu.
Odvodni ispust	1		Spojite odvodno crijevo za vanjsku jedinicu.
Spojite filter	1		Za pridržavanje EMC standarda (Korišteno za unutrašnje/vanjske spojne kablove)
Kuka	2		Za instalaciju

Sljedeći pribor je povezan sa daljinskim upravljačem.

Naziv pribora	Količina (dijel.)	Oblik	Upotreba
Daljinski upravljač	1		Za daljinsko upravljanje klima uređajem
Držač za daljinski upravljač	1		Za držanje daljinskog upravljača na zidu
Zavrtnanj za lim	2		Za pričvršćavanje držača za daljinski upravljač
Baterija	2		Za daljinski upravljač

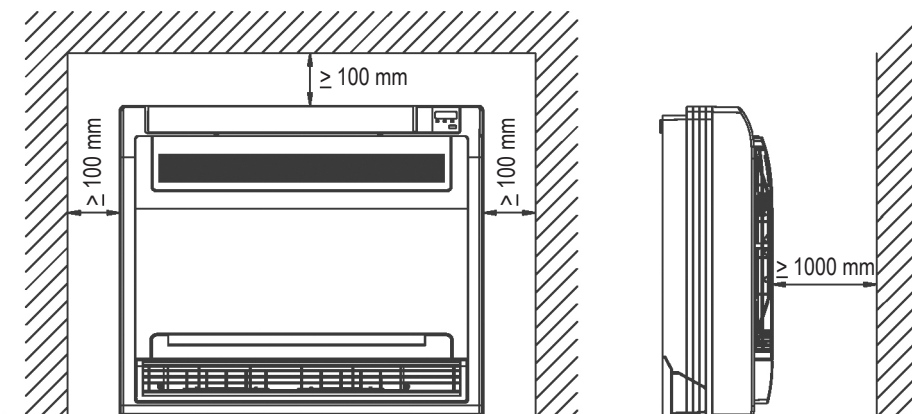
Napomena: Pribor povezan sa daljinskim upravljačem će biti nedostupan za modele s upravljačem s kablom. Za pribor za upravljač s kablom pogledajte priloženi priručnik za upravljače s kablom.

2. INSTALACIJA UNUTRAŠNJE JEDINICE

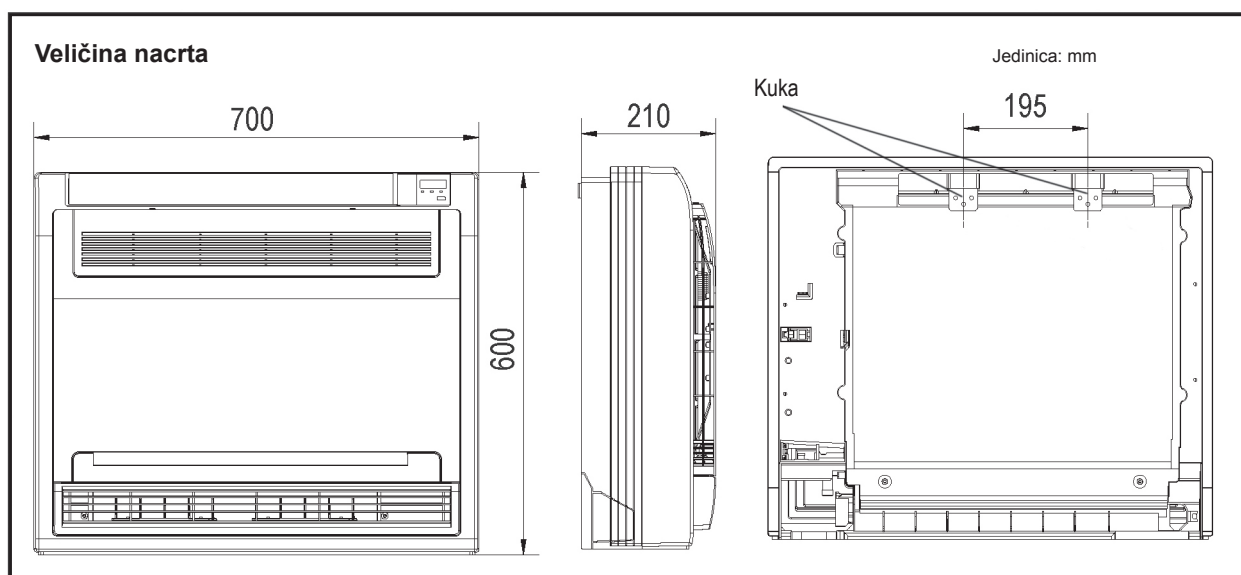
2.1 IZBOR MJESTA INSTALACIJE

UNUTRAŠNJA JEDINICA

- Gdje nije izložena direktnom sunčanom svjetlu.
- Gdje tok zraka nije blokiran.
- Gdje je osigurana optimalna raspodjela zraka.
- Gdje kondenzat može oteći pravilno i sigurno.
- Instalirajte unutrašnju jedinicu na zid/plafon koji sprječava vibracije i dovoljno je jak da drži težinu proizvoda.
- Obezbijedite dovoljan slobodan prostor oko unutrašnje jedinice za održavanje i servisiranje.
- Gdje se filter za zrak može lako skinuti i očistiti.
- Gdje su cijevi između unutrašnje i vanjske jedinice unutar dozvoljenih granica.
- Instalirajte unutrašnju jedinicu 1m ili više od TV-a ili radija da biste spriječili distorzije slike na ekranu ili buku.
- Instalirajte unutrašnju jedinicu što dalje od fluorescentnih i usijanih svjetala tako da se dobro može upravljati daljinskim upravljačem.



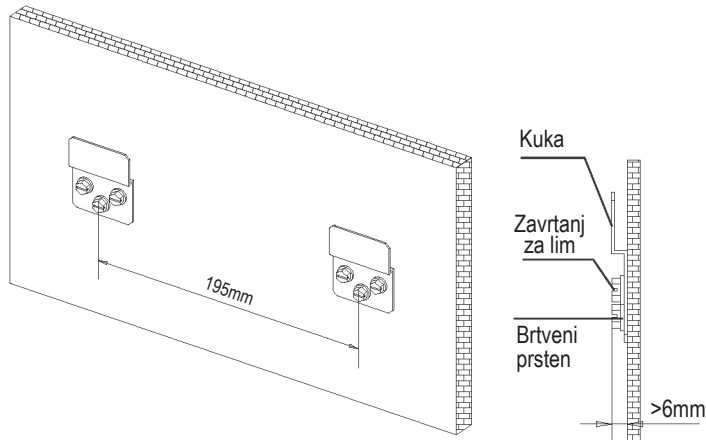
POTREBAN PROSTOR ZA UNUTRAŠNJU JEDINICU



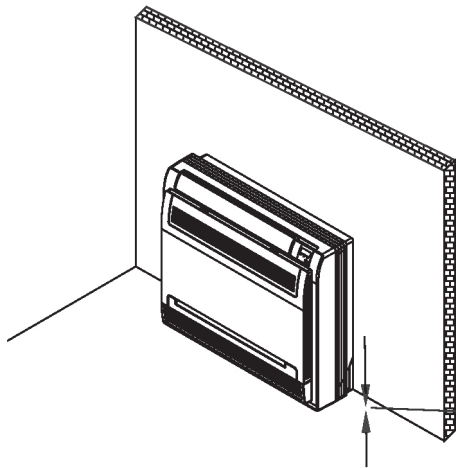
2. INSTALACIJA UNUTRAŠNJE JEDINICE

2.2 INSTALACIJA UNUTRAŠNJE JEDINICE

2.2.1 Pričvrstite kuku za zid zavrtanjem za lim



2.2.1 Objesite unutrašnju jedinicu na kuku.



Ne treba biti praznina između jedinice i poda.

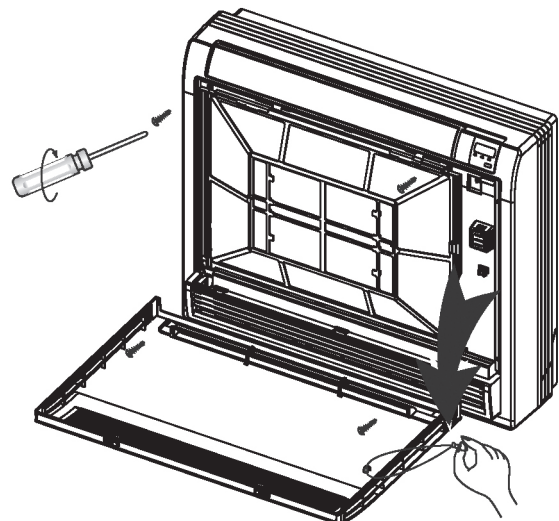
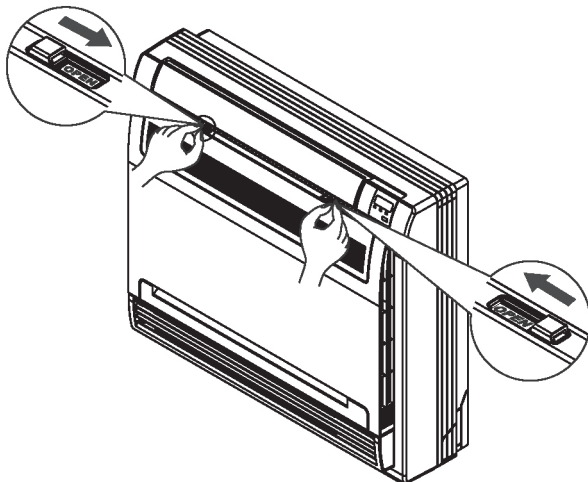
OPREZ

- Jedinica se mora instalirati u okomitom položaju.
- Ne treba biti praznina između jedinice i poda.

2.3 KAKO POVEZATI CIJEVI I KABLOVE

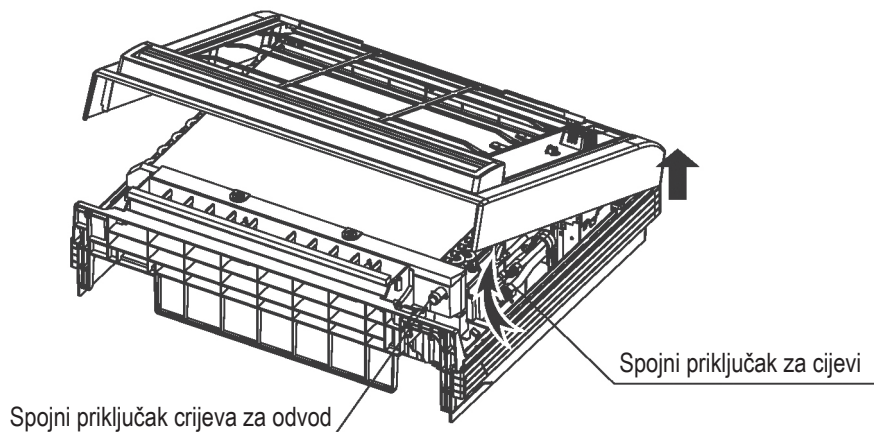
2.3.1 Istovremeno pritisnite oba jezička, a potom otvorite ploču.

2.3.2 Uklonite vrpцу i skinite ploču.

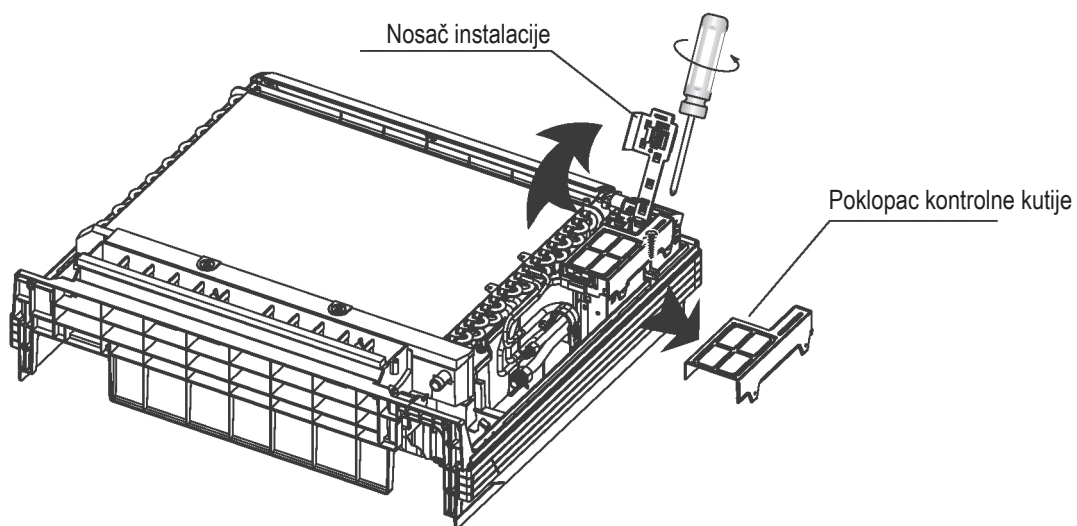


2. INSTALACIJA UNUTRAŠNJE JEDINICE

2.3.3 Uklonite 4 zavrtnja, a potom uklonite okvir s donje strane. Spojni priključci za cijevi i odvodno crijevo su vidljivi nakon skidanja okvira.

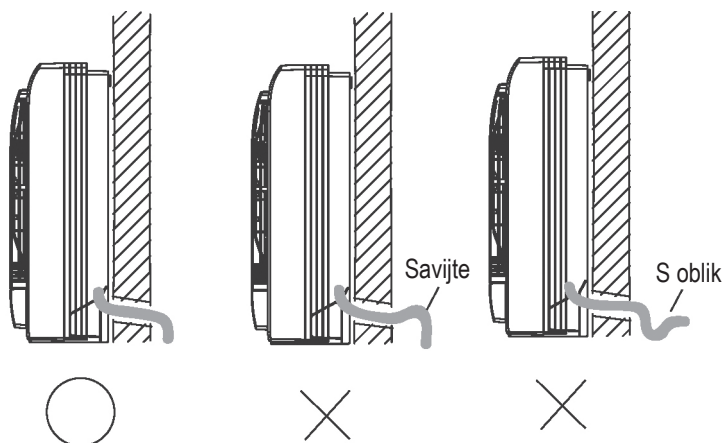


2.3.4 Uklonite nosač instalacije i skinite poklopac kontrolne kutije. Vidljiv je terminator ožičenja.



2.4 INSTALACIJA ODVODNE CIJEVI

Drenažni vod mora biti cijelom dužinom slobodan od zastoja, mora biti nagnut prema dolje i izoliran sve do vanjskog zida.

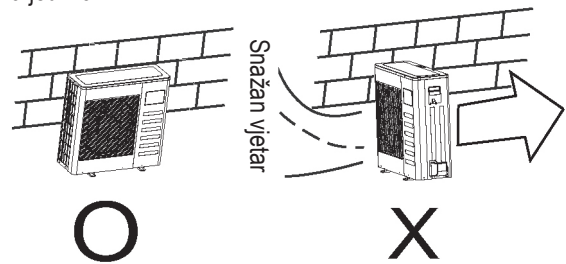


3. INSTALACIJA VANJSKE JEDINICE

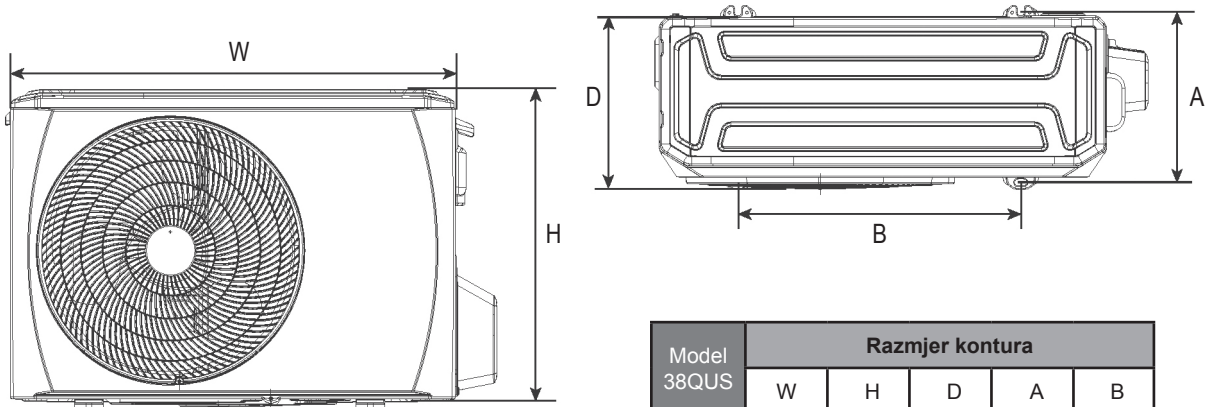
3.1 IZBOR MJESTA INSTALACIJE

VANJSKA JEDINICA

- Gdje nije izložena kiši ili direktnom sunčevom svjetlu;
- Gdje je dobro provjetreno i slobodno od prepreka u blizini otvora za ulazak i izlazak zraka;
- Gdje se ne povećava buka ili vibracije vanjske jedinice;
- Gdje nema problema odvoda kondenzata;
- Instalirajte vanjsku jedinicu pravilno na mjestu koje je dovoljno jako da podnese težinu vanjske jedinice.
- Gdje je obezbijeđeno dovoljno slobodnog prostora kao što je naprijed navedeno;
- Gdje su cijevi između unutrašnje i vanjske jedinice unutar dozvoljenih granica.
- U krajevima s puno snijega i s hladnim temperaturama izbjegavajte instaliranje vanjske jedinice na mjestima na kojima je može zatrpati snijeg. Ako se očekuje težak snijeg, potrebno je instalirati postolje za slučaj leda ili snijega i/ili pregradu za zaštitu od snijega radi sprečavanja nakupljanja snijega i blokiranja ulaza zraka na jedinici.
- U slučaju instaliranja vanjske jedinice na mjestu stalno izloženom jakom vjetru preporučuje se upotreba vjetrobrana.



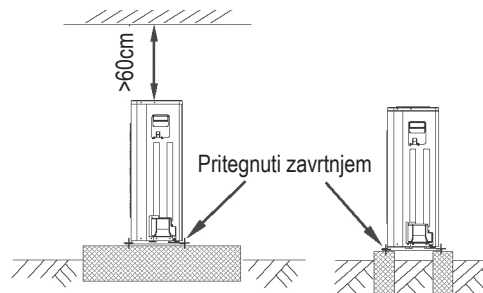
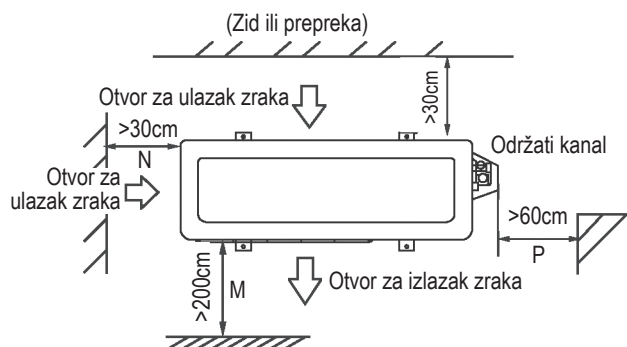
3.2 RAZMJER MONTIRANJA VANJSKE JEDINICE



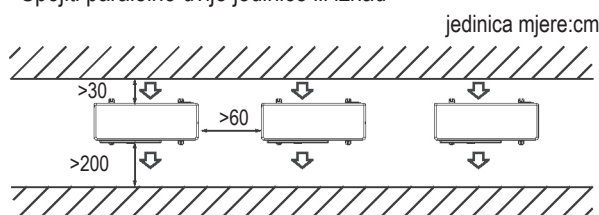
3. INSTALACIJA VANJSKE JEDINICE

3.3 POTREBAN PROSTOR ZA VANJSKU JEDINICU

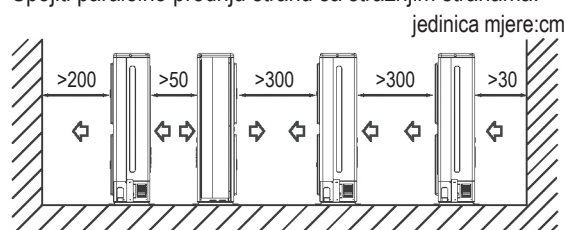
Instalacija jedne jedinice



Spojiti paralelno dvije jedinice ili iznad

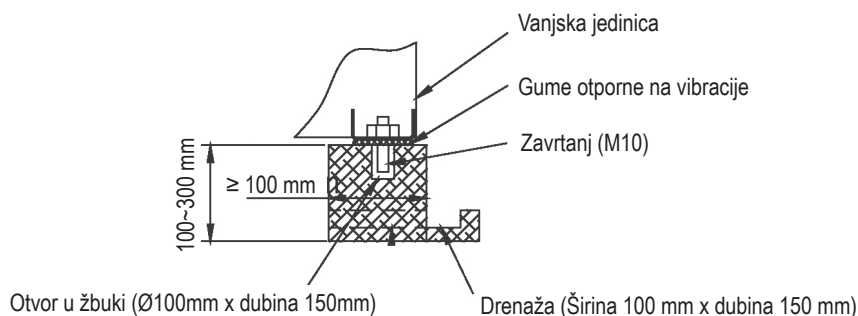


Spojiti paralelno prednju stranu sa stražnjim stranama.



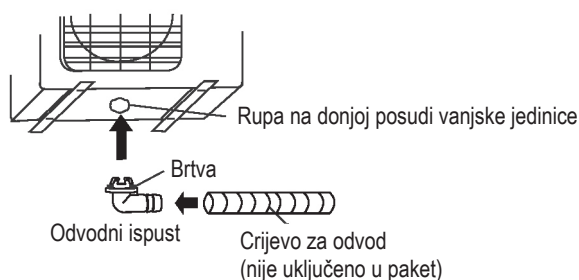
3.4 INSTALIRAJTE VANJSKU JEDINICU

- Prije instalacije provjerite jačinu i horizontalnost baze da se ne bi stvarao nenormalan zvuk.
- Spojite bazu čvrsto zavrtnjima (M10) da biste spriječili da se sruši.
- Instalirajte osnovu i gume otporne na vibracije da biste dali oslonac donjoj površini fiksirajuće noge koja je u kontaktu s donjom pločom vanjske jedinice.



3.5 INSTALACIJA ODVODNE CIJEVI ZA VANJSKU JEDINICU

- Povežite odvodni ispust sa produžnim crijevom za odvod.
- Pričvrstite brtvu na izlaz odvoda.
- Umetnite odvodni ispust u rupu na donjoj posudi vanjske jedinice i okrenite za 90 stepeni da biste ih čvrsto spojili.



4. POSTAVLJANJE CIJEVI ZA SREDSTVO ZA HLAĐENJE

OPREZ

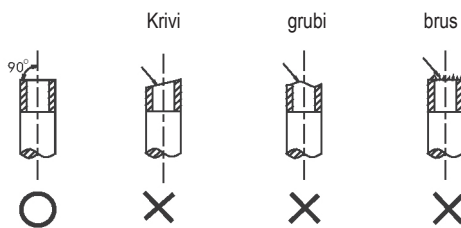
- Provjerite da li visinska razlika između unutrašnje i vanjske jedinice, kao i dužina cijevi za sredstvo za hlađenje, odgovaraju sistemskim zahtjevima.
- Postavljanje cijevi za sredstvo za hlađenje slijedi nakon instalacije unutrašnje i vanjske jedinice. Prvo spojite cijev sa unutrašnjom jedinicom, a nakon toga sa vanjskom.
- Uvijek držite krajeve cijevi zatvorenim putem poklopca ili upotrebom trake za vrijeme instalacije i NE uklanjajte ih sve dok niste spremni da spojite cijevi.
- Izolirajte sve cijevi vani cijelom dužinom sve do spoja cijevi sa unutrašnjosti jedinice. Izloženi dijelovi cijevi mogu prouzrokovati opekotine ako ih se dotakne.

4.1 PROŠIRIVANJE KRAJEVA CIJEVI

NAPOMENA

- U alat potreban za proširivanje krajeva cijevi spadaju rezač cijevi, rajbal, alat za proširivanje cijevi i držač cijevi.
- Za modele rashladnih sredstava R32, tačke priključivanja cijevi se moraju postaviti izvan prostorije.

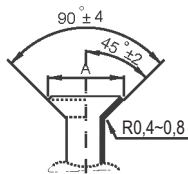
4.1.1 Upotreba rezača cijevi za rezanje cijevi na željenu dužinu. Osigurajte da rub na mjestu rezanja sklapa sa stranom cijevi ugao od 90°.



4.1.2 Rajbalom uklonite brusove tako da je rezana površina okrenuta prema dole da komadići ne upadaju u cijev.

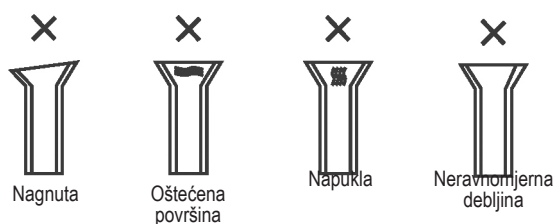
4.1.3 Cijevi širite alatom za proširivanje cijevi prema uputama niže u tekstu.

Vanjski prečnik	A(mm)	
	Maks.	Min.
Ø6.35mm	8,7	8,3
Ø9.52mm	12,4	12,0
Ø12.7mm	15,8	15,4
Ø15.88mm	19,0	18,6
Ø19.05mm	23,3	22,9



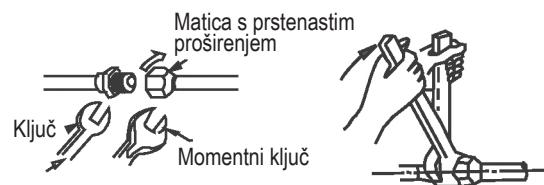
4.1.4 Provjerite da li je proširenje cijevi pravilno sprovedeno.

Niže u priručniku se nalazi primjer nepravilno proširenih cijevi.



4.2 POSTAVLJANJE CIJEVI

4.2.1 Poravnajte sredinu da biste učvrstili maticu s prstenastim proširenjem i dovršite povezivanje pomoću dva ključa.



Veličina cijevi	Obrtni moment
Ø6.35mm	18 ~ 20 N.m
Ø9.52mm	25 ~ 26 N.m
Ø12.7mm	35 ~ 36 N.m
Ø15.88mm	45 ~ 47 N.m
Ø19.05mm	65 ~ 67 N.m

4.2.2 Izaberite pravi izolacijski materijal za cijev za sredstvo za hlađenje. (Min. 10mm, termalna izolacijska pjena C)

- Koristite različite termalne izolacijske cijevi za gas i tekućinu.
- Naprijed navedena debljina je standard za unutrašnju temperaturu od 27°C i vlagu od 80%. Ako instalirate jedinicu pod nepovoljnim uvjetima kao što je blizina kupatila, kuhinja ili dr. slične lokacije, pojačajte izolaciju.
- Temperatura otpornosti izolacije na toplotu trebala bi biti viša od 120°C.
- Nanesite ljepljivo na spojni dio izolacije da biste spriječili ulazak vlage.
- Popravite i pokrijte eventualne pukotine u izolaciji, a osobito provjerite savijeni dio ili kuku za cijev.

OPREZ

- U slučaju da je potrebno lemljenje, topite nitrogenskim gasom.
- Nepravilan obrtni moment prozrokovat će štete pri proširivanju cijevi ili curenje gasa.

4. POSTAVLJANJE CIJEVI ZA SREDSTVO ZA HLAĐENJE

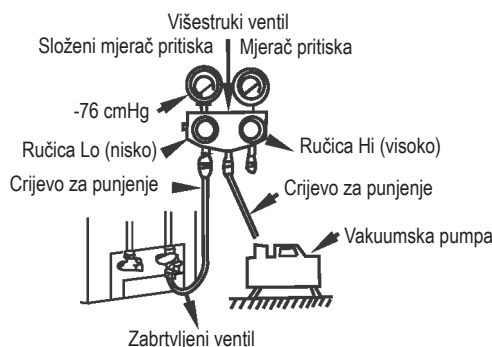
4.3 CIJEV ZA SREDSTVO ZA HLAĐENJE

Model 38QUS	Strana tekućine	Strana gasa	Dozvoljiva dužina cijevi (m)	Maks. visinska razlika (m)	Dužina cijevi pri kojoj treba nasuti manje sredstva za hlađenje (m)	Potrebna dodatna količina sredstva za hlađenje po metru (R410A/R32)
009/012	Ø6,35mm	Ø9.52mm	25	10	5	15/12 g/m
018	Ø6,35mm	Ø12,7 mm	30	20	5	15/12 g/m

NAPOMENA: 1) Koristite alate za R410A / R32 sistem kako je potrebno;
2) Ukoliko je cijev duža od 5m dodatno sredstvo za hlađenje treba biti dodano zavisno od dužine cijevi.

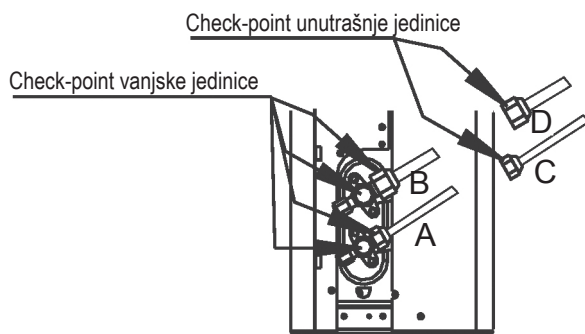
4.4 PRAŽNENJE ZRAKA IZ CIJEVI

- Spojite crijevo za punjenje iz višestrukog mjerača na servisni ulaz zabrtvljenog ventila sa strane gasnog priključka.
- Spojite crijevo za punjenje na ulaz vakuumske pumpe.
- Potpuno otvorite ručicu Lo (nisko) na višestrukom mjeraču
- Koristite vakuumsku pumpu da biste evakuirali zrak iz sistema do 76 cmHg.
- Zatvorite ručicu Lo (nisko) na višestrukom mjeraču.
- Potpuno otvorite vreteno ventila na zabrtvljenim ventilima.
- Skinite crijevo za punjenje sa servisnog ulaza.
- Dobro zatvorite poklopce zabrtvljenog ventila.



4.5 TEST CURENJA

Nakon što je završeno postavljanje cijevi, provjerite spoj svake cijevi sredstva za hlađenje i potvrdite da nema curenja gasa tako što na cijevi stavite vodu sa sapunicom ili putem detektora curenja specifičnog za HFC sredstva za hlađenje. Ilustracija se nalazi niže.



- A: Ventil za zaustavljanje pri niskom pritisku
B: Ventil za zaustavljanje pri visokom pritisku
C & D: Matica s prstenastim proširenjem unutrašnje jedinice

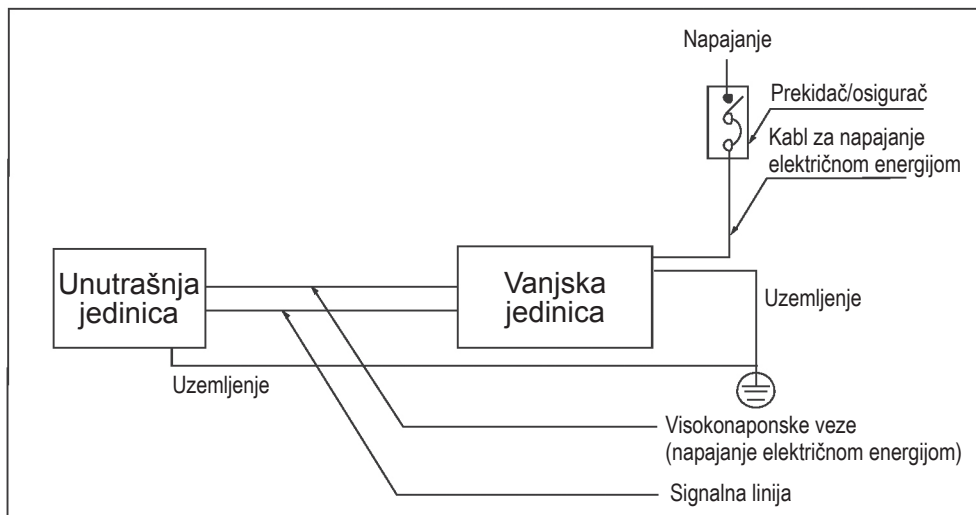
5. KABLOVI

OPREZ

- Sva električna spajanja moraju izvršiti kvalificirani radnici i svi kablovi moraju biti spojeni prema shemi ožičavanja.
- Prije svih drugih električnih spajanja treba izvršiti uzemljenje.
- Svi izvori električne energije moraju biti isključeni prije početka radova ožičavanja. Ne uključujte napajanje električnom energijom dok niste sigurni da su svi kablovi provjereni.
- Potrebno je instalirati glavni prekidač i automatsku sklopku ili osigurač, čiji kapacitet mora biti više od 1,5 puta veći od maksimalne struje u strujnom kolu.
- Mora biti dostupno zasebno strujno kolo i utičnica koja se upotrebljava samo za ovaj uređaj.
- Poprečni presjek žice zavisi od nazivne struje te državnih i lokalnih propisa za elektroinstalacije. Posebne zahtjeve potražite u lokalnim propisima za građevinarstvo i elektroinstalacije.
- Ukoliko je kabl za napajanje električnom energijom oštećen, mora ga zamijeniti proizvođač, serviser ili osoba sličnih kvalifikacija kako bi se izbjegle opasnosti.
- Jedinica se mora povezati s glavnim napajanjem pomoću automatske sklopke ili prekidača, pri čemu razmak između kontakata na svim polovima mora iznositi najmanje 3 mm. Preporučuje se ugradnja zaštitnog uređaja diferencijalne struje (ZUDS) čija nominalna radna struja ne premašuje 30 mA.

5.1 NAPAJANJE SA SPOLJAŠNJE STRANE

- Slika ožičenja



- Specifikacija napajanja električnom energijom i ožičavanja

Način rada (Btu/h)		9k	12k	18k
Napajanje	Faza	1-fazno	1-fazno	1-fazno
	Frekvencija i napon	220-240 V~ 50 Hz	220-240 V~ 50 Hz	220-240 V~ 50 Hz
Nominalna struja		10 A	10 A	11 A
Nazivna struja osigurača (napajanje)		20 A	20 A	20 A
Kabl za napajanje (napajanje)		H07RN-F; 3×2,5 mm ²	H07RN-F; 3×2,5 mm ²	H07RN-F; 3×2,5 mm ²
Povezivanje unutrašnjeg / spoljašnjeg ožičenja (napajanje)		H07RN-F; 4×1,5 mm ²	H07RN-F; 4×1,5 mm ²	H07RN-F; 4×2,5 mm ²

NAPOMENA O SPECIFIKACIJAMA OSIGURAČA:

(primjenjivo na jedinice koje koriste samo R32 rashladno sredstvo, a da je osigurač izrađen od keramike.)

1. Specifikacija osigurača spoljašnje jedinice je T20A/250VAC (za <24000Btu/h jedinica), T30A/250VAC (za >24000Btu/h jedinica)
2. Specifikacija osigurača za unutrašnju jedinicu je T5A/250VAC, T10A/250VAC.

6. POSLJEDNJA KONTROLA I PROBNI RAD

6.1 ZADNJA KONTROLNA LISTA

Da biste završili instalaciju, provjerite sljedeće stvari prije probnog rada.

- Jačina mjesta instalacije kako unutrašnje tako i vanjske jedinice; osigurajte da nema blokada otvora za izlazak ili povrat zraka.
- Provjerite čvrstoću spoja cijevi za sredstvo za hlađenje i potvrdite da nema curenja
- Spojevi električnih ožičenja su pravilno izvedeni i jedinica je uzemljena.
- Provjerite ukupnu dužinu cijevi i zabilježite količinu dodatnog sredstva za hlađenje u cijevima.
- Napajanje električnom energijom treba biti u skladu s nazivnim naponom klima uređaja.
- Izolacija cijevi.
- Drenaža.

6.2 RUČNO UPRAVLJANJE

Ručno upravljanje se može aktivirati pritiskanjem tipke za ručno upravljanje na displej ploči.

Pritisnite ručnu tipku nekoliko puta da biste promijenili režime rada kako slijedi:

- Jednom = režim rada AUTO [zagrijavanje, hlađenje ili ventiliranje na 24 °C i automatski regulirana brzina ventilatora].
- Dvaput = režim rada COOLING (hlađenje) [prelazi u režim rada AUTO (automatski) nakon 30 minuta (uglavnom se upotrebljava u probne svrhe)].
- Tri puta = OFF (isključeno).

6.3 PROBNI RAD

Podesite klimatizaciju pod režimom rada HLAĐENJE putem daljinskog upravljača (ili tipke za ručno upravljanje) i provjerite status rada kako unutrašnje tako i vanjske jedinice. U slučaju nepravilnosti u radu problem riješite pridržavanjem uputa u poglavlju „Uklanjanje problema“ u „Servisnom priručniku“.

Unutrašnja jedinica

- Da li tipke (kao što su ON/OFF (uklj./isklj.), MODE (režim rada), TEMPERATURE, FAN SPEED (brzina okr. ventilatora) itd.) na daljinskom upravljaču funkcioniraju.
- Da li klapna funkcionira normalno.
- Da li je sobna temperatura dobro podešena.
- Da li su indikacijska svjetla na displej ploči normalna.
- Da li tipka „manual“ (ručno upravljanje) funkcionira.
- Da li je drenaža normalna.
- Da li su prisutne vibracije ili nenormalni zvukovi za vrijeme rada.
- Da li unutrašnja jedinica radi dobro u režimu rada COOLING (hlađenje) ili HEATING (grijanje).

Vanjska jedinica

- Da li su prisutne vibracije ili nenormalni zvukovi za vrijeme rada.
- Da li vjetar, buka ili kondenzat klima uređaja uznemiravaju vaše susjedstvo.
- Da li je prisutno curenje sredstva za hlađenje.

OPREZ

- Pri ponovnom pokretanju jedinice doći će do kašnjenja paljenja za 3 minute da bi ste se mogli skloniti na sigurno mjesto.

7. INFORMACIJE O SERVISIRANJU

7.1 PROVJERE PODRUČJA

Prije početka rada na sistemima koja sadrže zapaljiva sredstva za hlađenje potrebno je izvršiti sigurnosne provjere radi minimaliziranja rizika od zapaljenja. Prije popravaka rashladnog sistema potrebno je poduzeti sljedeće sigurnosne mjere.

7.2 RADNI POSTUPAK

Radove je potrebno provoditi kontroliranim postupkom da bi se minimalizirao rizik od curenja zapaljivog gasa ili para za vrijeme radova.

7.3 OPĆE RADNO PODRUČJE

Svo osoblje koje radi na održavanju i drugo osoblje koje radi na području instalacije klima uređaja treba biti upućeno u prirodu posla koji se izvodi. Treba izbjegavati izvođenje radova u uskim prostorima. Radno područje treba ograditi. Uvjerite se da je radno područje osigurano od zapaljivih materijala.

7.4 ISPITIVANJE PRISUTNOSTI SREDSTVA ZA HLAĐENJE

Prije i za vrijeme rada treba provjeriti područje odgovarajućim detektorom sredstava za hlađenje da bi tehničari bili pravovremeno upoznati s eventualnom prisutnošću zapaljivih atmosfera. Uvjerite se da je oprema za otkrivanje curenja koja se koristi pogodna za upotrebu sa zapaljivim sredstvima za hlađenje, tj. da ne varniči, da je ispravno zabtrvljena i intrinzično sigurna.

7.5 PRISUTNOST APARATA ZA GAŠENJE POŽARA

Ako na rashladnoj opremi ili nekom pratećem dijelu treba izvesti radove koji podrazumijevaju visoke temperature, u neposrednoj blizini mora se nalaziti prikladna oprema za gašenje požara. U blizini područja punjenja postavite aparat za gašenje požara sa suhim prahom ili CO₂.

7.6 NISU DOZVOLJENI IZVORI ZAPALJENJA

Niko od osoblja koje izvodi radove na rashladnom sistemu koji podrazumijevaju oslobađanje cijevi koje sadrže ili su sadržale zapaljivo sredstvo za hlađenje ne smije koristiti izvore zapaljenja na način koji može dovesti do požara ili eksplozije. Sve moguće izvore zapaljenja, uključujući cigarete, treba držati dovoljno daleko od mjesta instalacije, popravka, uklanjanja ili odlaganja, radova za vrijeme kojih može doći do izlaska zapaljivog sredstva za hlađenje u okolni prostor. Prije izvođenja radova prostor oko opreme treba pregledati radi utvrđenja opasnosti od zapaljenja. Treba izložiti natpise „ZABRANJENO PUŠENJE”.

7.7 PROZRAČENO PODRUČJE

Prije otvaranja sistema ili izvođenja ikakvih radova koja podrazumijevaju visoke temperature uvjerite se da je područje otvoreno i dovoljno prozračeno. Za vrijeme izvođenja radova treba nastaviti prozračivanje u određenoj mjeri. Prozračivanjem se ostaci sredstva za hlađenje trebaju raspršiti i po mogućnosti izbaciti u atmosferu.

7.8 PROVJERE RASHLADNE OPREME

Sve zamjenske električne komponente moraju odgovarati namjeni i specifikacijama. U svakom trenutku treba slijediti proizvođačeve smjernice za održavanje i servisiranje. Ako niste sigurni u vezi s nečim, za pomoć se obratite proizvođačevom tehničkom odjelu. Instalacije koje podrazumijevaju upotrebu zapaljivih sredstava za hlađenje trebaju sadržavati sljedeće provjere:

7. INFORMACIJE O SERVISIRANJU

- Veličina punjenja je u skladu s veličinom prostorije u kojoj se instaliraju dijelovi koji sadrže sredstvo za hlađenje.
- Uređaj za prozračivanje i ispusti funkcioniraju ispravno i nema blokada;
- Ako se koristi indirektni kružni tok sredstva za hlađenje, treba provjeriti da li sekundarni kružni tokovi sadrže sredstvo za hlađenje; oznake na opremi moraju i dalje biti vidljive i čitljive.
- Nečitljive oznake i znakove treba ispraviti.
- Cijev za sredstvo za hlađenje ili komponente instalirani su na mjestu gdje je mala vjerovatnoća njihovog izlaganja tvarima koji mogu nagrizati komponente koje sadrže sredstvo za hlađenje, osim ako su te komponente izrađene od materijala koji su intrinzično otporni na nagrizanje ili su prikladno zaštićene od nagrizanja.

7.9 PROVJERE ELEKTRIČNIH UREĐAJA

Popravci i održavanje električnih komponenti trebaju uključivati sigurnosne provjere i procedure provjere komponenti. Ako se pojavi greška koja može kompromitirati sigurnost, strujno kolo ne smije se dovesti pod napajanje dok se ta greška ne otkloni. Ako se greška ne može odmah ispraviti, a potrebno je nastaviti rad uređaja, treba koristiti prikladno privremeno rješenje. O tome treba obavijestiti vlasnika opreme da bi sve strane bile upoznate sa situacijom.

U obavezne početne sigurnosne provjere spadaju:

- da su kondenzatori ispražnjeni: to treba uraditi na siguran način da bi se spriječilo varničenje;
- da nijedna električna komponenta ni žica koja je pod naponom nije oslobođena / bez izolacije za vrijeme punjenja, pražnjenja ili čišćenja sistema;
- da postoji trajno uzemljenje.

7.10 POPRAVCI ZABRTVLJENIH KOMONENTI

- 10.1 Za vrijeme popravaka zabrtvljenih komponenti sve izvore napajanja treba odvojiti od opreme na kojoj se izvode radovi prije uklanjanja zabrtvljenih poklopaca itd. Ako je za vrijeme servisiranja zaista neophodno držati opremu pod napajanjem, na najkritičnijem mjestu treba postaviti trajno uključenu komponentu za otkrivanje curenja radi upozorenja na eventualno opasnu situaciju.
- 10.2 Posebno je važno osigurati da se pri radu na električnim komponentama zaštita/omot ne ošteti na način koji ugrožava potreban nivo zaštite. U to spadaju oštećenja kablova, prevelik broj spojeva, priključci neizvedeni u skladu s originalnim specifikacijama, oštećenja brtvi, neispravno nalijeganje priključaka crijeva itd.
- Uvjerite se da je uređaj sigurno montiran.
 - Uvjerite se da brtve ili brtveni materijali nisu potrošeni do te mjere da više ne sprječavaju ulazak zapaljivih atmosfera. Zamjenski dijelovi moraju odgovarati specifikacijama proizvođača.

NAPOMENA: Upotreba silikonskih brtvi može smanjiti efektivnost nekih vrsta opreme za otkrivanje curenja. Intrinzično sigurne komponente ne moraju se izolirati prije radova na njima.

7.11 POPRAVAK INTRINZIČNO SIGURNIH KOMONENTI

Na strujno kolo nemojte priključivati nikakva trajna induktivna ni kapacitivna opterećenja bez da osigurate da se time neće prekoračiti dozvoljen napon i struja za upotrijebljenu opremu. Samo na intrinzično sigurnim komponentama smiju se izvoditi radovi pri zapaljivim atmosferama dok su pod naponom. Testni uređaj mora imati ispravne nazivne podatke. Komponente treba zamjenjivati samo dijelovima koje je specificirao proizvođač. Upotreba drugih dijelova može uzrokovati zapaljenje iscurjelog sredstva za hlađenje u atmosferi.

7. INFORMACIJE O SERVISIRANJU

7.12 KABLOVI

Provjerite da li su kablovi u opasnosti od trošenja, korozije, prevelikog pritiska, vibracija, oštih rubova ili drugih djelovanja okoline. Prilikom ove provjere također treba uzeti u obzir posljedice otvrdnjavanja i trajnih vibracija izvora, kao što su kompresori ili ventilatori.

7.13 OTKRIVANJE ZAPALJIVIH SREDSTAVA ZA HLAĐENJE

Pri traženju ili otkrivanju curenja sredstva za hlađenje ni u kojem slučaju se ne smiju koristiti potencijalni izvori zapaljenja. Ne smiju se upotrebljavati halogenske svjetiljke (ili drugi detektori s otvorenim plamenom).

7.14 METODE OTKRIVANJA CURENJA

Sljedeće metode otkrivanja curenja važe kao prihvatljive za sisteme sa zapaljivim sredstvima za hlađenje: Za otkrivanje zapaljivih sredstava za hlađenje treba koristiti elektroničke detektore curenja, ali njihova osjetljivost može biti neprikladna ili može biti potrebno podešavanje (opremu za otkrivanje curenja treba podešavati u područjima bez sredstava za hlađenje). Uvjerite se da detektor nije potencijalan izvor zapaljenja i da je prikladan za dato sredstvo za hlađenje. Na opremi za otkrivanje curenja treba postaviti određeni dio (u postocima) vrijednosti donje granice zapaljivosti (DGZ ili engl. LFL) sredstva za hlađenje, treba je kalibrirati za upotrijebljeno sredstvo za hlađenje i potvrditi odgovarajući postotak gasa (maks. 25%). Tekućine za otkrivanje curenja su pogodne za većinu sredstava za hlađenje, ali treba izbjegavati upotrebu deterdženata koji sadrže hlor jer on može reagirati sa sredstvom za hlađenje i nagristi bakrene cijevi. Ako sumnjate na curenje, svi otvoreni plamenovi trebaju se ukloniti ili ugasiti. Ako otkrijete curenje sredstva za hlađenje i potrebno je lemljenje, iz sistema se treba isprazniti svo sredstvo za hlađenje ili ga treba izolirati (putem blokirajućih ventila) u dijelu sistema koji je udaljen od mjesta curenja. Nakon toga, a prije i poslije lemljenja, sistem treba očistiti nitrogenom bez kisika (OFN, engl. oxygen free nitrogen).

7.15 UKLANJANJE I PRAŽNENJE

Prilikom otvaranja kružnog toka sredstva za hlađenje radi popravaka ili drugih radova treba primjenjivati standardne procedure. Ipak je važno pridržavati se najbolje prakse jer treba uzeti u obzir zapaljivost. Treba se pridržavati sljedeće procedure:

- uklonite sredstvo za hlađenje;
- očistite kružni tok inertnim gasom;
- ispraznite sistem;
- ponovo očistite sistem inertnim gasom; otvorite kružni tok rezanjem ili lemljenjem.

Sredstvo za hlađenje sistema treba spremati u prikladne cilindre za pohranu korištenog sredstva za hlađenje. Sistem treba isprati nitrogenom bez kisika (OFN) da bi se jedinica dovela u sigurno stanje. Može biti potrebno ponoviti taj postupak više puta.

Za ovaj postupak ne treba koristiti komprimiran zrak ili kisik.

Ispiranje se treba izvršiti sljedećim koracima: eliminiranje vakuuma u sistemu pomoću OFN-a i nastavljajanje punjenja do dostizanja radnog pritiska, nakon toga ispuštanje zraka u atmosferu i napokon ponovno uspostavljanje vakuuma. Taj proces treba ponavljati dok se ne odstrani svo sredstvo za hlađenje iz sistema. Prilikom upotrebe zadnjeg punjenja OFN-a sistem treba odzračiti do postizanja atmosferskog pritiska da bi se omogućili radovi. Ovaj postupak je neophodan ako se treba izvoditi lemljenje cijevi. Uvjerite se da ispuštanje vakuumske pumpe nije blizu izvora zapaljenja i da je omogućena ventilacija.

7. INFORMACIJE O SERVISIRANJU

7.16 POSTUPCI PUNJENJA

Pored standardnih postupaka punjenja treba se pridržavati sljedećih zahtjeva:

- Uvjerite se da pri upotrebi opreme za punjenje ne dolazi do kontaminacije sredstava za hlađenje. Crijeva ili vodovi trebaju biti što kraći da bi se minimizirala količina sredstva za hlađenje u njima.
- Cilindre treba držati u uspravnom položaju.
- Prije punjenja rashladnog sistema sredstvom za hlađenje uvjerite se da je uzemljen.
- Nakon završetka punjenja stavite oznaku na sistem (ako već nije postavljena).
- Treba izrazito paziti da se rashladni sistem ne prepuni.
- Prije ponovnog punjenja sistem treba ispitati pod pritiskom pomoću OFN-a. Po završetku punjenja, ali prije stavljanja u pogon, potrebno je ispitati ima li curenja u sistemu. Nankadna provjera curenja

7.17 STAVLJANJE VAN POGONA

Prije izvođenja postupka ključno je da je tehničar potpuno upoznat s opremom i svim njenim pojedinostima. U preporučenu dobru praksu spada sigurno izvlačenje svih sredstava za hlađenje. Prije izvođenja postupka treba uzeti uzorak ulja i sredstva za hlađenje.

Ako je prije ponovne upotrebe izvađenog sredstva za hlađenje potrebna analiza, prije početka postupka ključno je dovesti električnu struju.

- a) Upoznajte se s opremom i njenim radom.
- b) Izvršite električnu izolaciju sistema
- c) Prije pokušaja izvođenja postupka uvjerite se:
 - da je dostupna mehanička oprema za rukovanje cilindrima sa sredstvom za hlađenje ako je potrebna;
 - da je sva oprema za ličnu zaštitu dostupna i da se upotrebljava ispravno;
 - da je postupak izvlačenja sredstva za hlađenje u svakom trenutku pod nadzorom stručne osobe;
 - da su oprema za izvlačenje sredstva za hlađenje i cilindri u skladu s odgovarajućim standardima.
- d) Ako je to moguće, u rashladnom sistemu pumpom uspostavite vakuum.
- e) Ako uspostavljanje vakuuma nije moguće, postavite razdjelnik da bi se sredstvo za hlađenje moglo izvaditi iz pojedinačnih dijelova sistema.
- f) Prije početka izvlačenja sredstva za hlađenje uvjerite se da je cilindar postavljen na vagu.
- g) Pokrenite uređaj za izvlačenje sredstva za hlađenje i radite u skladu s uputama proizvođača.
- h) Nemojte prepuniti cilindre. (punite ih do maksimalno 80% zapremine).
- i) Nemojte prekoračiti maksimalni radni pritisak cilindra, čak ni privremeno.
- j) Kad su cilindri ispravno napunjeni i postupak je završen, obavezno odmah uklonite cilindre i opremu s mjesta rada i zatvorite sve izolacijske ventile na opremi.
- k) Izvučenim sredstvom za hlađenje ne smije se puniti drugi rashladni sistem ako se nije očistilo i ispitalo.

7.18 OZNAČAVANJE

Na opremi treba postaviti oznaku koja ukazuje na to da je stavljena van pogona i svo sredstvo za hlađenje ispražnjeno. Oznaka mora imati datum i potpis, Uvjerite se da se na opremi nalaze oznake koje ukazuju na to da sadrži zapaljivo sredstvo za hlađenje.

7. INFORMACIJE O SERVISIRANJU

7.19 IZVLAČENJE SREDSTAVA ZA HLAĐENJE

- U preporučenu dobru praksu spada sigurno izvlačenje svih sredstava za hlađenje iz sistema, radilo se to radi servisiranja ili stavljanja van pogona.
- Za prenos sredstava za hlađenje u cilindre obavezno se moraju upotrebljavati odgovarajući cilindri za pohranu korištenih sredstava za hlađenje. Uvjerite se da je dostupan ispravan broj cilindara za pohranu svog izvučenog sredstva za hlađenje. Svi cilindri koji će se upotrijebiti moraju biti namijenjeni za izvučeno sredstvo za hlađenje i imati oznaku koja ukazuje na to da su namijenjeni za to sredstvo (tj. posebni cilindri za pohranu korištenih sredstava za hlađenje). Cilindri moraju biti potpuni s ispravnim ventilom za ograničavanje pritiska i pratećim blokirajućim ventilima.
- Prije izvlačenja sredstva za hlađenje iz sistema prazni cilindri za pohranu korištenih sredstava za hlađenje trebaju se odzračiti i, ako je to moguće, ohladiti.
- Oprema za izvlačenje sredstva za hlađenje iz sistema mora biti u ispravnom stanju, moraju joj biti priložene upute za rad s njom i mora biti prikladna za pohranu korištenih zapaljivih sredstava za hlađenje. Pored toga, mora biti dostupna podešena i ispravna vaga.
- Crijeva moraju biti ispravna i potpuna s nepropusnim spojnicama. Prije upotrebe uređaja za izvlačenje sredstva za hlađenje uvjerite se da je ispravan, da je ispravno održavan i da su sve prateće električne komponente zabrtvljene radi sprječavanja zapaljenja u slučaju izlaska sredstva za hlađenje iz sistema. Ako niste sigurni u vezi s nečim, obratite se proizvođaču.
- Izvučeno sredstvo za hlađenje treba vratiti dobavljaču u odgovarajućem cilindru za pohranu korištenih sredstava za hlađenje s odgovarajućim pratećim listom za otpad. Ne miješajte sredstva za hlađenje u jedinicama za pohranu korištenih sredstava za hlađenje, a posebno ne u cilindrima.
- Ako kompresore ili ulje kompresora treba ukloniti, uvjerite se da su odzračeni do prihvatljive mjere da zapaljivo sredstvo za hlađenje ne bi ostalo u mazivu. Postupak odzračivanja treba izvršiti prije vraćanja kompresora dobavljaču. Ovaj postupak smije se ubrzati samo električnim zagrijavanjem tijela kompresora. Ulje treba oprezno izvlačiti iz sistema.

7.20 TRANSPORT, OZNAČAVANJE I POHRANA JEDINICA

1. Transport opreme koja sadrži zapaljiva sredstva za hlađenje
U skladu s transportnim propisima
2. Označavanje opreme pomoću znakova
U skladu s lokalnim propisima
3. Odlaganje opreme koja koristi zapaljiva sredstva za hlađenje
U skladu s državnim propisima
4. Pohrana opreme/uređaja
Oprema se mora pohranjivati u skladu s uputama proizvođača.
5. Pohrana opreme s ambalažom (neprodana)
Zaštitna ambalaža za pohranu treba biti izrađena na način koji onemogućuje curenje punjenog sredstva za hlađenje uslijed mehaničkog oštećenja opreme u ambalaži.
Dozvoljeni maksimalni broj dijelova opreme koji se smiju pohraniti zajedno određuju lokalni propisi.

Tento výrobek je v souladu se směrnicí Evropské unie o nízkém napětí (2014/35/ES) a směrnicí o elektromagnetické kompatibilitě (2014/30/ES).



Správná likvidace produktu (Odpadní elektrická a elektronická zařízení)

Při používání této klimatizační jednotky v evropských zemích musí být dodržovány následující pokyny:

- Toto označení uvedené na výrobku nebo v dokumentech k výrobku znamená, že elektrický odpad a elektrická zařízení (OEEZ dle směrnice 2012/19/EU) nesmí být míchána s běžným domovním odpadem.

Toto zařízení nesmí být likvidováno jako běžný domovní odpad.

Pro likvidaci existuje několik možností:

1. Obec má zavedený systém sběru, kde je možné bezplatně likvidovat elektronický odpad.
2. Prodejce bezplatně vezme zpět starý výrobek při nákupu nového výrobku.
3. Výrobce bezplatně vezme zpět starý výrobek k likvidaci.
4. Protože staré výrobky obsahují cenné suroviny, mohou být prodány jako kovový šrot.

Neřízená likvidace odpadu v lesích a krajinně ohrožuje vaše zdraví, protože nebezpečné látky pronikají do podzemních vod a nacházejí si cestu do potravinového řetězce.

Tento výrobek obsahuje fluorované plyny podléhající Kjótskému protokolu

Chemický název plynu

R410A / R32

Globální oteplovací potenciál (GWP) plynu

2088 / 675

UPOZORNĚNÍ

1. Upevněte přiložený štítek chladiva k místu doplňování nebo odebírání chladiva.
2. Na štítek chladiva zřetelně napište množství chladiva nesmazatelným inkoustem.
3. Zabraňte netěsnosti obsaženého fluorovaného plynu. Zajistěte, aby fluorovaný plyn nebyl nikdy odvětráván do ovzduší při instalaci, provozu nebo likvidaci. Je-li zjištěna netěsnost obsaženého fluorovaného plynu, únik musí být co nejdříve zastaven a opraven.
4. Přístup k tomuto výrobku a jeho servis má povolen pouze kvalifikovaný servisní personál.
5. Jakákoliv manipulace s fluorovanými plyny obsaženými ve výrobku, například při přemísťování výrobku nebo doplňování plynu, musí být v souladu s nařízením ES č. 517/2014 o některých fluorovaných skleníkových plynech a s veškerou příslušnou místní legislativou.
6. V případě jakýchkoliv otázek se obraťte na dodavatele, servisní firmu atd.

Vnitřní jednotka	Rozměry (IDU)	Venkovní jednotka	Rozměry (ODU)	Jmenovité napětí a frekvence
42QZA009DS*	700x600x210	38QUS009DS*	770x300x555	
42QZA012DS*	700x600x210	38QUS012DS*	800x333x554	220–240 V ~ 50 Hz
42QZA012D8S*	700x600x210	38QUS018DS*	800x333x554	
42QZA018DS*	700x600x210	38QUS018DS*	800x333x554	

Výrobce si vyhrazuje právo změnit jakékoliv specifikace produktu bez předchozího upozornění.

OBSAH

1. PŘÍPRAVA NA INSTALACI	3
1.1 Bezpečnostní opatření	3
1.2 Příslušenství	4
2. INSTALACE VNITŘNÍ JEDNOTKY	6
2.1 Výběr místa instalace	6
2.2 Instalace vnitřní jednotky	7
2.3 Jak připojit trubky a kabely	7
2.4 Instalace odtokového potrubí	8
3. INSTALACE VENKOVNÍ JEDNOTKY	9
3.1 Výběr místa instalace	9
3.2 Montážní rozměry venkovní jednotky	9
3.3 Prostorové požadavky na venkovní jednotku	10
3.4 Instalace venkovní jednotky	10
3.5 Instalace odtokového potrubí pro venkovní jednotku	10
4. PRÁCE NA POTRUBÍ CHLADIVA	11
4.1 Rozšíření konců trubek	11
4.2 Instalace potrubí	11
4.3 Potrubí chladiva	12
4.4 Odvzdušnění	12
4.5 Zkouška těsnosti	12
5. ELEKTROINSTALACE	13
6. ZÁVĚREČNÁ KONTROLA A ZKUŠEBNÍ PROVOZ	14
6.1 Kontrolní seznam závěrečné kontroly	14
6.2 Ruční obsluha	14
6.3 Zkušební provoz	14
7. INFORMACE PRO PROVÁDĚNÍ SERVISNÍCH ZÁSAHŮ	15



Upozornění: **Nebezpečí požáru**
pouze pro chladivo R32/R290

1. PŘÍPRAVA NA INSTALACI

1.1 BEZPEČNOSTNÍ OPATŘENÍ

- Instalace, spuštění a servis klimatizačního zařízení mohou být nebezpečné kvůli tlakům v systému, elektrickým komponentům a umístění zařízení (střechy, zvýšené konstrukce atd.).
- Toto zařízení by měli instalovat, spouštět a provádět jeho servis pouze vyškolení a kvalifikovaní montéři a servisní mechanici.
- Při práci na tomto zařízení dodržujte pokyny v dokumentaci a na značkách, nálepkách a štítcích připevněných k zařízení.
- Dodržujte všechny bezpečnostní předpisy. Používejte ochranné brýle a pracovní rukavice. Při pájení mějte připravenou hasicí látku a hasicí přístroj. Buďte opatrní při manipulaci, přípravě a nastavení objemného zařízení.
- Důkladně si přečtěte tyto pokyny a pečlivě dodržujte všechna varování či upozornění zahrnutá v dokumentaci a připevněná k jednotce. V případě zvláštních požadavků si prostudujte místní stavební předpisy a národní elektroinstalační předpisy.

VAROVÁNÍ

Tento symbol indikuje možnost vážného nebo smrtelného zranění.

- **Plynné chladivo je těžší než vzduch a vytlačuje kyslík. Masivní únik by mohl vést k vyčerpání kyslíku (zejména v suterénech) a riziko udušení by mohlo vést k vážnému zranění nebo smrti.**
- **Když je klimatizace instalována v malé místnosti, proveďte vhodná bezpečnostní opatření, abyste zajistili, že koncentrace unikajícího chladiva v místnosti nepřesáhne kritickou úroveň.**
- **Jestliže během instalace uniká chladivo, okamžitě vyvětrejte okolní prostor.**
Plynné chladivo může vylučovat toxický plyn, pokud se dostane do kontaktu s ohněm například od ventilačního ohříváče, sporáku nebo vařiče.
Kontakt s tímto plynem může způsobit těžké zranění nebo smrt.
- **Před prováděním jakýchkoli elektroinstalačních prací odpojte jednotku od zdroje napájení. Správně zapojte přípojovací kabel.**
Špatné zapojení může způsobit poškození elektrických součástí.
- **K realizaci elektrického připojení použijte stanovené kabely a vodiče pevně připojte ke svorkám propojujícím jednotlivé části tak, aby na svorku nebyla vyvíjena vnější síla.**
- **Zajistěte správné uzemnění.**
Neuzemňujte jednotky k plynovému nebo vodovodnímu potrubí, bleskosvodu nebo telefonním kabelům.
Neúplné uzemnění může způsobit vážné riziko úrazu elektrickým proudem s následkem zranění nebo smrti.
- **Bezpečná likvidace obalových materiálů.**
Obalové materiály, jako jsou hřebíky a jiné kovové nebo dřevěné části, mohou způsobit bodná nebo jiná zranění.
Roztrhejte a zlikvidujte plastové obalové tašky, aby si s nimi nehrály děti. Děti, které si hrají s plastovými taškami, čelí nebezpečí udušení.
- **Neinstalujte jednotku v blízkosti koncentrací hořlavého plynu nebo výparů.**
- **Ujistěte se, že používáte dodané nebo přesně specifikované díly zařízení.**
Použití jiných dílů může způsobit uvolnění jednotky, únik vody, úraz elektrickým proudem, požár nebo poškození zařízení.
- **Při instalaci nebo přemístění systému nedovolte, aby vzduch nebo jiné než specifikované chladicí látky (R410A/R32) pronikly do chladicího okruhu.**
- **Nikdy neupravujte tuto jednotku tím, že odstraníte jakoukoliv bezpečnostní ochranu nebo přemostíte jakýkoliv spínač bezpečnostního blokování.**
- **Elektroinstalační práce by měly být prováděny v souladu s návodem k instalaci a národními, státními a místními předpisy.**
- **Ujistěte se, že používáte samostatný obvod elektrického napájení. Nikdy nesdílejte stejnou zásuvku s jiným spotřebičem.**

1. PŘÍPRAVA NA INSTALACI

VAROVÁNÍ

- Chcete-li zabránit riziku neúmyslného resetování teplotního limitu, nenapájejte toto zařízení prostřednictvím externího spínacího zařízení, jako je časovač, nebo jej nezapojte do obvodu, který je pravidelně zapínán a vypínán inženýrskými sítěmi.
- Pro připojení k elektrické síti používejte předepsané kabely s ochrannou izolací s vhodnou teplotní specifikací. Nevyhovující kabely mohou způsobit únik elektrické energie, nadměrné tvoření tepla nebo požár.
POZNÁMKA: Následující informace jsou požadovány pro jednotky používající chladiva R32/R290
- Spotřebič musí být skladován v místnosti bez trvalých zdrojů zapálení. (například: otevřeného ohně a provozovaného plynového spotřebiče nebo provozovaného elektrického ohříváče).
- Nempichujte ani nespalujte.
- Uvědomte si, že chladivo může být bez zápachu.
- Musí být dodrženy státní předpisy pro plyn.
- Spotřebič musí být skladován v dobře větraném prostoru, kde velikost místnosti odpovídá ploše prostoru, jak je specifikováno pro provoz.
- Spotřebič musí být nainstalováno, provozováno a skladováno v místnosti s podlahovou plochou větší než X m², instalace potrubí musí být minimálně X m² (viz následující formulář).
- Spotřebič nesmí být nainstalován v nevětraném prostoru, pokud je tento prostor menší než X m² (viz následující formulář). Prostory, kde potrubí s chladivem musí vyhovovat vnitrostátním předpisům o plynu.

Model(Btu/h)	Množství chladiva, které má být plněno (kg)	max. instalační výška (m)	Min. plocha místnosti (m ²)
≤30000	≤2,048	1,8m	4
		0,6m	35
30000-48000	2,048-3,0	1,8m	8
		0,6m	80
>48000	>3,0	1,8m	9
		0,6m	80

Poznámka o fluorovaných plynech

- Tato klimatizační jednotka obsahuje fluorované plyny. Podrobné informace o typu plynu a množství naleznete na příslušném štítku na samotné jednotce.
- Instalace, servis, údržba a opravy tohoto zařízení musí provádět certifikovaný technik.
- Odinstalaci a recyklaci produktu musí provádět certifikovaný technik.
- Pokud je v systému nainstalován systém detekce úniků, je třeba zkontrolovat úniky nejméně každých 12 měsíců.
- Pokud je jednotka kontrolována ohledně úniků, důrazně se doporučuje řádné vedení všech kontrol.

1. PŘÍPRAVA NA INSTALACI

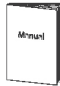




UPOZORNĚNÍ

Tento symbol indikuje možnost poškození majetku nebo vážných následků.

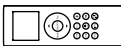



- Aby nedošlo ke zranění, buďte opatrní při manipulaci s díly s ostrými hranami.
- Neinstalujte vnitřní nebo venkovní jednotky v místech se zvláštními environmentálními podmínkami.
- Neinstalujte jednotku v místě, které zesiluje úroveň hluku jednotky, nebo tam, kde hluk a vypouštěný vzduch mohou rušit sousedy.
- Práci na odtoku/potrubí provádějte bezpečně podle návodu k instalaci.
Nesprávné odtokové potrubí může mít za následek únik vody a škodu na majetku.
- Neinstalujte klimatizaci do následujících míst.
 - Místo, kde je přítomen minerální olej nebo kyselina arseničná.
 - Místo, kde se mohou hromadit žíravé plyny (např. výpary z kyseliny sírové) nebo hořlavé plyny (např. výpary z ředidla) nebo kde dochází k manipulaci s těkavými hořlavými látkami.
 - Místo, kde se nachází zařízení, které vytváří elektromagnetická pole nebo vysokofrekvenční harmonické vlnění.

1.2 PŘÍSLUŠENSTVÍ

S jednotkou je dodáváno následující příslušenství. Typ a množství se může lišit v závislosti na specifikacích.

Název příslušenství	Množství (ks)	Tvar	Použití
Návod	3		<Návod k instalaci>, <Návod k obsluze>, <Návod k dálkovému ovladači> (nebo <Návod ke kabelovému ovladači>)
Těsnění	1		Těsnění vývodu odtoku pro venkovní jednotku.
Vývod odtoku	1		Připojení odtokové hadice pro venkovní jednotku.
Svorkový filtr	1		Ke splnění norem EMC (Použito pro vnitřní/vnější propojovací kabely)
Háček	2		K instalaci

Následující příslušenství se týká dálkového ovladače.

Název příslušenství	Množství (ks)	Tvar	Použití
Dálkový ovladač	1		K dálkovému ovládní klimatizace
Držák dálkového ovladače	1		K odložení dálkového ovladače na stěnu
Samořezný šroub	2		K uchycení držáku dálkového ovladače
Baterie	2		Pro dálkový ovladač

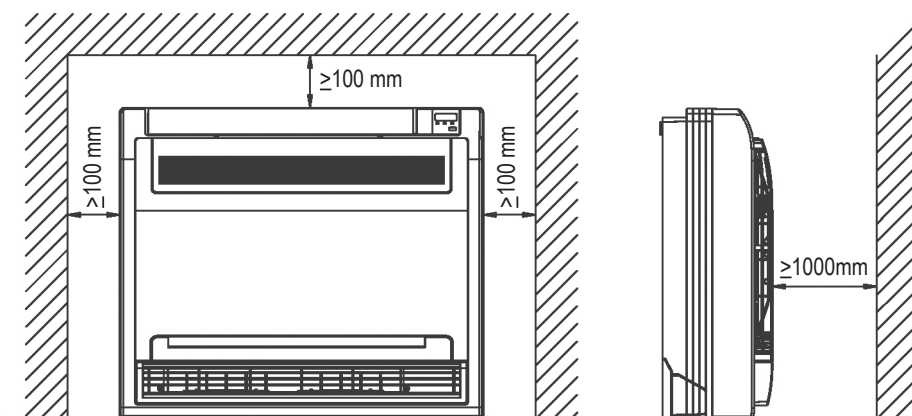
Poznámka: Příslušenství související s dálkovým ovladačem nebude k dispozici u modelů s kabelovým ovladačem. Příslušenství pro kabelový ovladač naleznete v příloženém návodu kabelového ovladače.

2. INSTALACE VNITŘNÍ JEDNOTKY

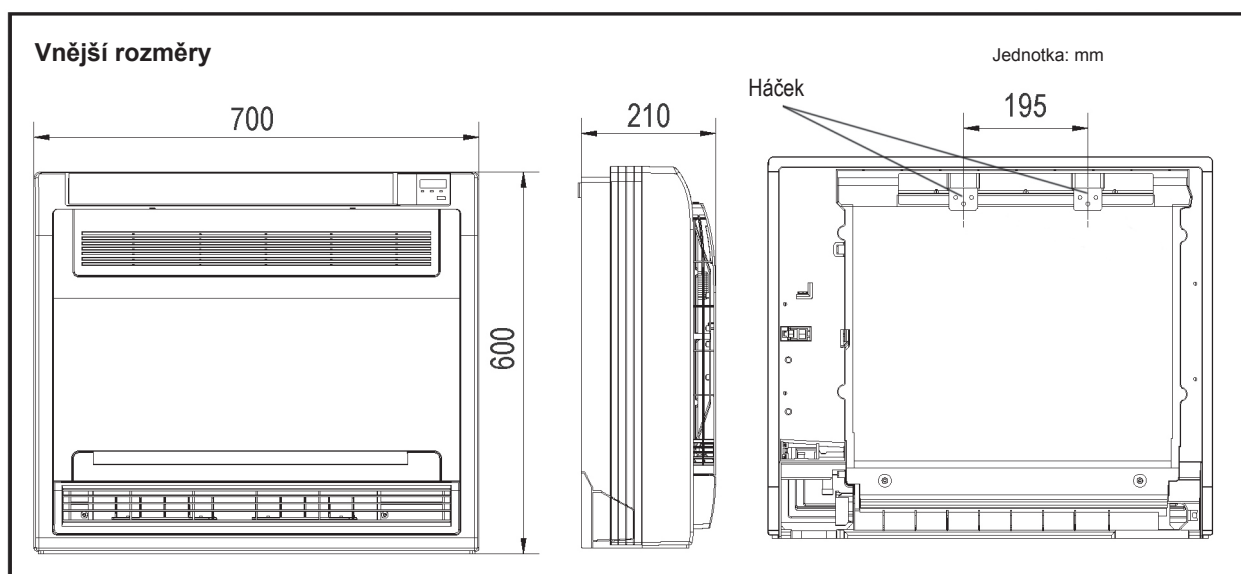
2.1 VÝBĚR MÍSTA INSTALACE

VNITŘNÍ JEDNOTKA

- Místo mimo dosah přímého slunečního svitu.
- Místo, kde není blokováno proudění vzduchu.
- Místo, kde je zajištěno optimální rozložení vzduchu.
- Místo, kde kondenzát může správně a bezpečně odtékat.
- Nainstalujte vnitřní jednotku na strop nebo stěnu, která odolává vibracím a je dostatečně silná, aby udržela hmotnost výrobku.
- Udržujte dostatečný volný prostor kolem vnitřní jednotky za účelem provádění údržby a servisu.
- Místo, kde lze jednoduše vyjmout a vyčistit vzduchový filtr.
- Místo, kde potrubí mezi vnitřní a venkovní jednotkou splňuje přípustné limity.
- Nainstalujte vnitřní jednotku 1 m nebo dále od TV nebo rádia, abyste předešli rušení obrazu nebo vzniku šumu.
- Nainstalujte vnitřní jednotku co nejdále od zářivkových a žárovkových svítidel tak, aby mohl být dálkový ovladač pohodlně používán.



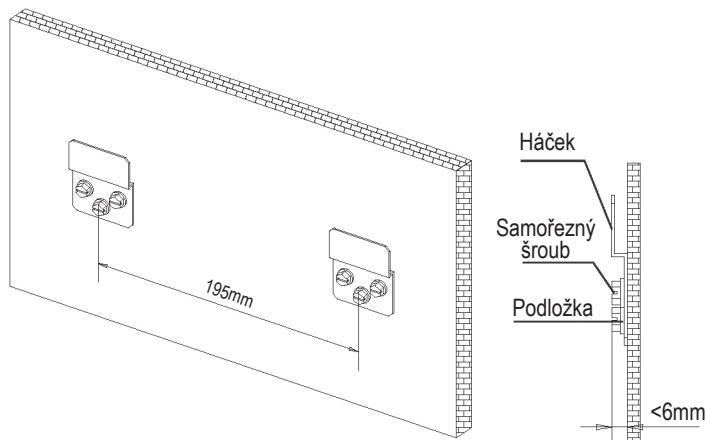
PROSTOROVÉ POŽADAVKY NA VNITŘNÍ JEDNOTKU



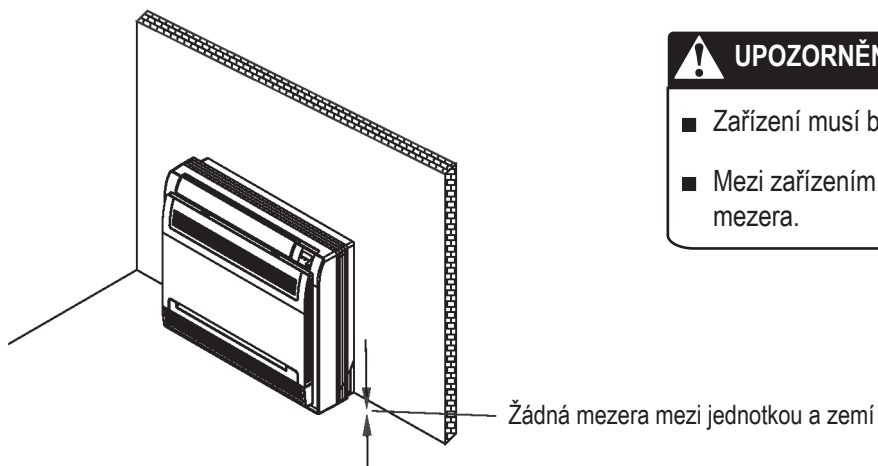
2. INSTALACE VNITŘNÍ JEDNOTKY

2.2 INSTALACE VNITŘNÍ JEDNOTKY

2.2.1 Upevněte háček se samořezným šroubem na stěnu.



2.2.1 Zavěste vnitřní jednotku na háček.



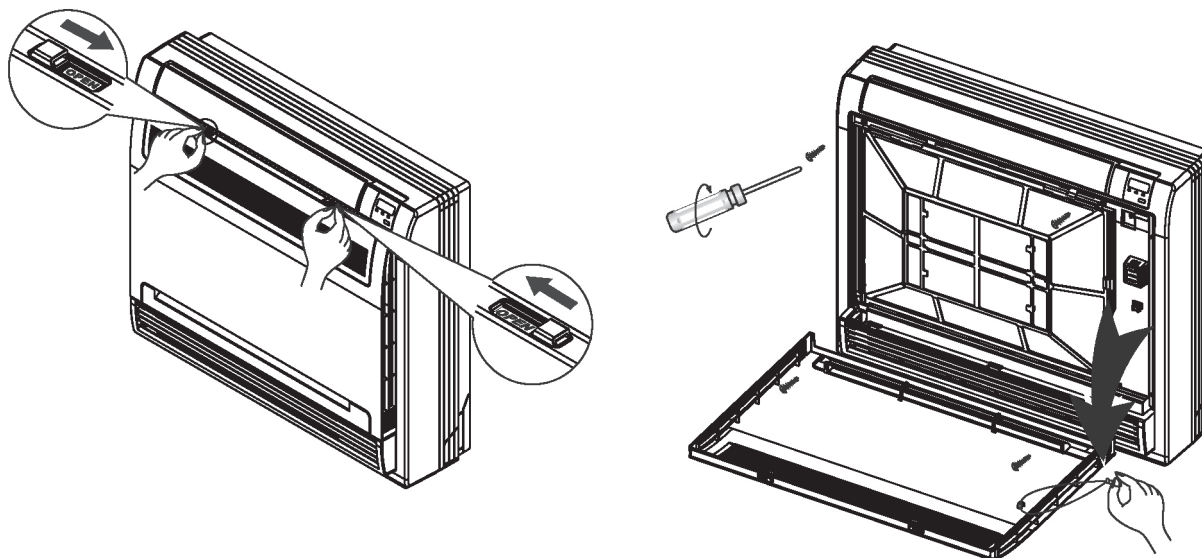
⚠ UPOZORNĚNÍ

- Zařízení musí být nainstalováno uvnitř budovy.
- Mezi zařízením a zemí by neměla být žádná mezera.

2.3 JAK PŘIPOJIT TRUBKY A KABELY

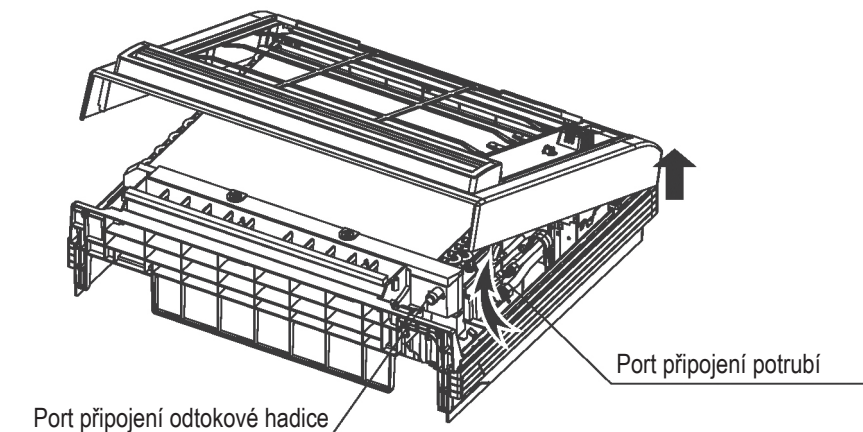
2.3.1 Chcete-li panel otevřít, zatlačte současně na oba knoflíčky.

2.3.2 Odpojte provázek a sejměte panel.

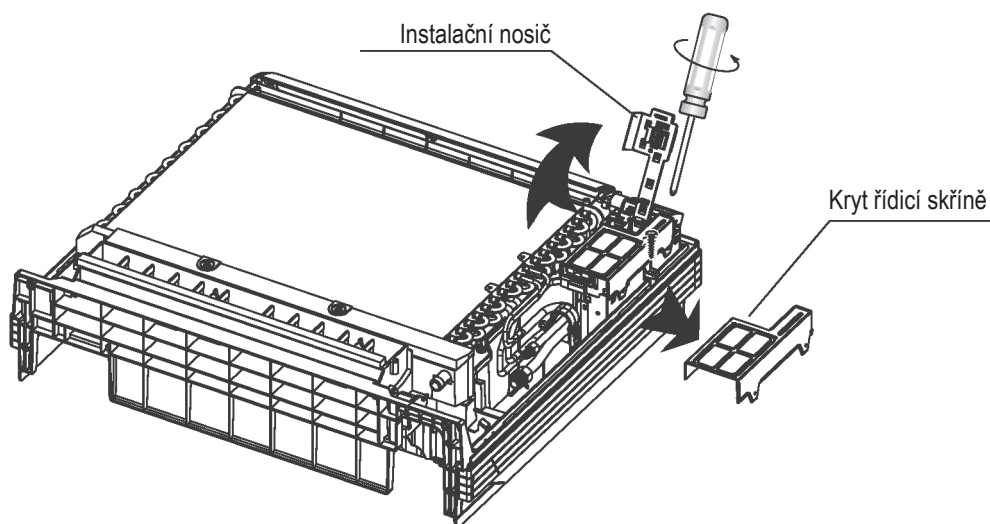


2. INSTALACE VNITŘNÍ JEDNOTKY

2.3.3 Odstraňte 4 šrouby a následně ze spodní strany sejměte rám. Po sejmutí rámu se objeví port pro připojení potrubí a port pro připojení odtokové hadice.

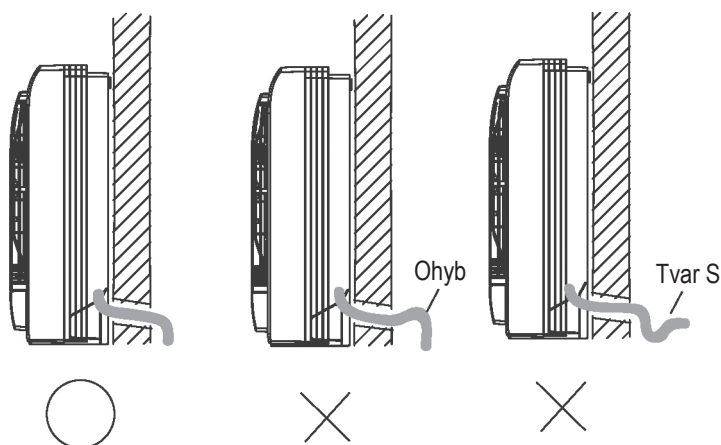


2.3.4 Odstraňte instalační nosič a sejměte kryt řídicí skříně. Můžete vidět svorkovnici.



2.4 INSTALACE ODTOKOVÉHO POTRUBÍ

Odtokové potrubí nesmí být v žádném místě své délky zablokované, musí se svažovat dolů a musí být zaizolované až k vnější stěně.

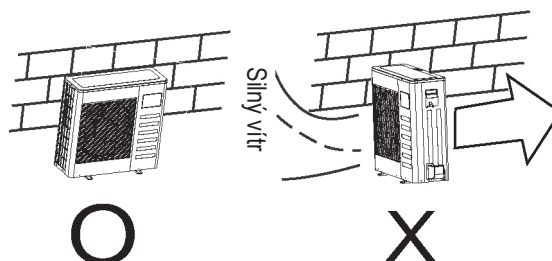


3. INSTALACE VENKOVNÍ JEDNOTKY

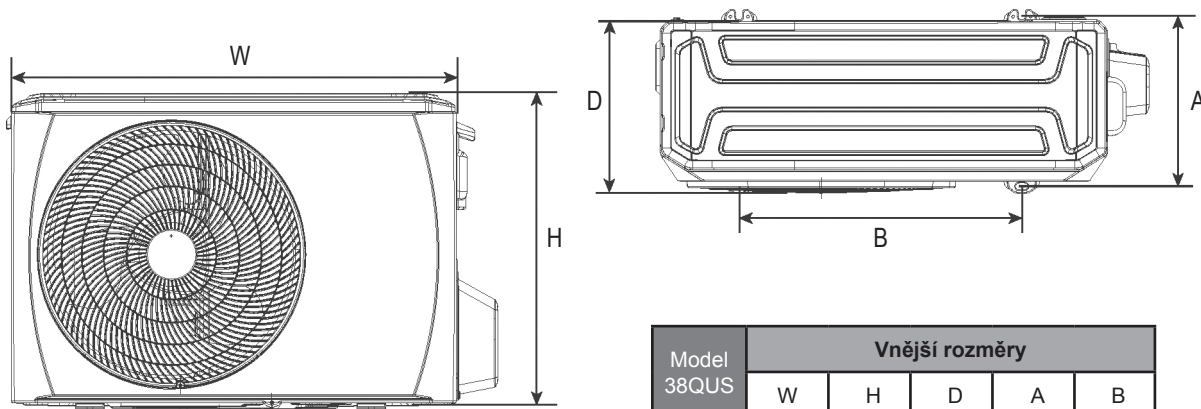
3.1 VÝBĚR MÍSTA INSTALACE

VENKOVNÍ JEDNOTKA

- Místo mimo dosah deště nebo přímého slunečního svitu.
- Místo, které je dobře odvětráno a bez překážek v blízkosti přívodu a vývodu vzduchu.
- Místo, kde nebude docházet k růstu provozního hluku nebo vibracím venkovní jednotky.
- Místo, kde nebudou žádné problémy s vypouštěním odtokové vody.
- Nainstalujte venkovní jednotku řádně na místo, které je dostatečně pevné, aby uneslo hmotnost jednotky.
- Místo, které poskytuje dostatečný volný prostor podle nákresu.
- Místo, kde potrubí mezi vnitřní a venkovní jednotkou splňuje přípustné limity.
- V oblastech s nízkými teplotami a sněžením neinstalujte venkovní jednotku na místa, kde by mohla být zasněžena. Pokud se očekává silné sněžení, měl by být nainstalován venkovní stojan proti sněhu a ledu nebo kryt proti větru na ochranu jednotky před hromaděním sněhu nebo zablokováním přívodu vzduchu.
- Při instalaci venkovní jednotky na místo, které je neustále vystaveno silnému větru, se doporučuje použít deflektor.



3.2 MONTÁŽNÍ ROZMĚRY VENKOVNÍ JEDNOTKY

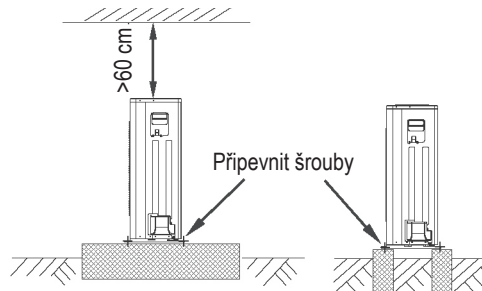
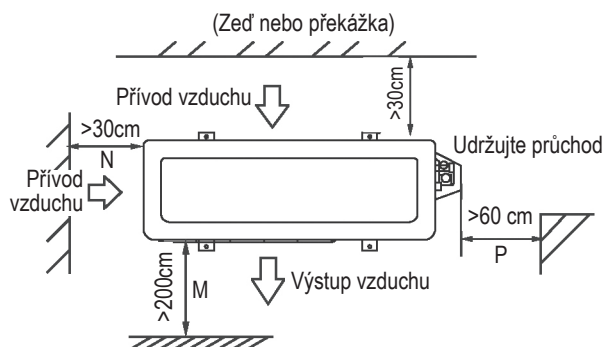


Model 38QUS	Vnější rozměry				
	W	H	D	A	B
009	770	555	300	298	487
012/018	800	554	333	340	514

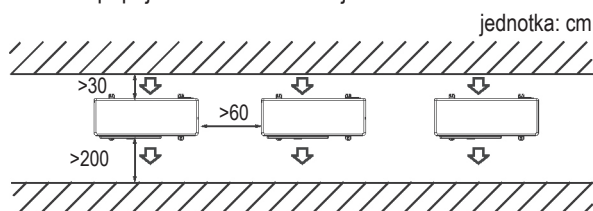
3. INSTALACE VENKOVNÍ JEDNOTKY

3.3 PROSTOROVÉ POŽADAVKY NA VENKOVNÍ JEDNOTKU

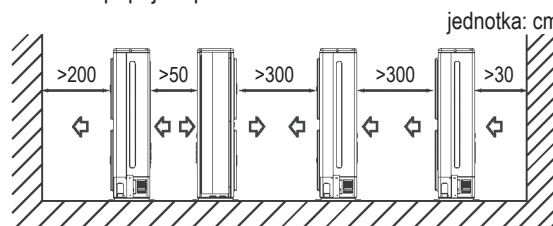
Instalace jedné jednotky



Paralelní připojení dvou nebo více jednotek

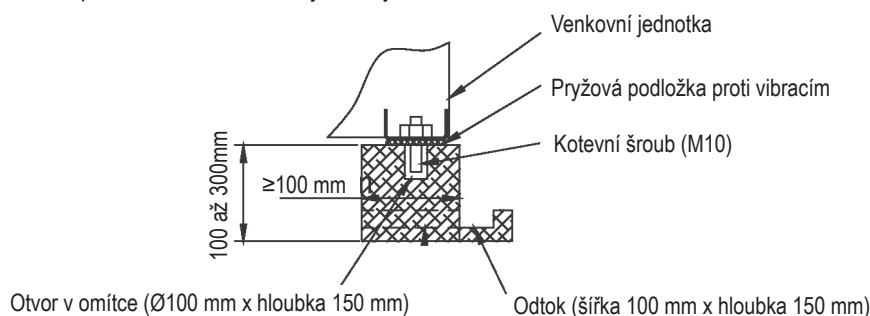


Paralelní připojení předních stran se zadními stranami



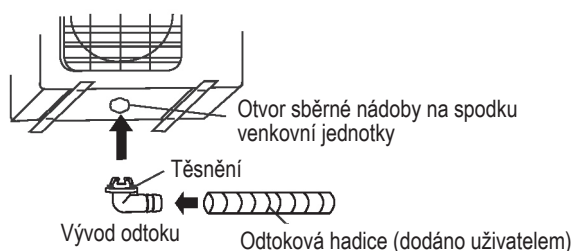
3.4 INSTALACE VENKOVNÍ JEDNOTKY

- Před instalací zkontrolujte pevnost a horizontální vyrovnaní základny, aby nedocházelo k abnormálnímu hluku.
- Upevněte základnu pevně kotevními šrouby (M10), abyste předešli pádu jednotky.
- Nainstalujte podkladové a pryžové podložky proti vibracím, které budou přímo podírat spodní část upevňovací nožky, která je v kontaktu se spodní deskou venkovní jednotky.



3.5 INSTALACE ODTOKOVÉHO POTRUBÍ PRO VENKOVNÍ JEDNOTKU

- Připojte prodlužovací odtokovou hadici k výstupu odtoku.
- Na výstup odtoku nasadte těsnění.
- Vložte výstup odtoku do otvoru ve spodní vaně venkovní jednotky a otočte jej o 90 stupňů za účelem bezpečného upevnění.



4. PRÁCE NA POTRUBÍ CHLADIVA

UPOZORNĚNÍ

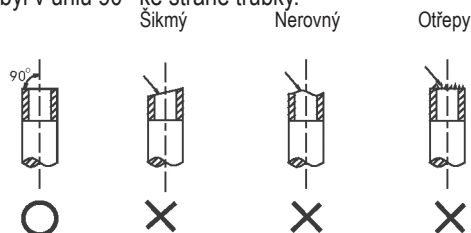
- Zkontrolujte, zda výškový rozdíl mezi vnitřní jednotkou a venkovní jednotkou a celková délka potrubí chladiva splňují požadavky systému.
- Práce na potrubí chladiva následuje po instalaci vnitřní a venkovní jednotky. Nejprve připojte potrubí na vnitřní straně a poté na vnější straně.
- Během instalace vždy utěsněte konce trubek buď uzávěrem nebo páskou a NEODSTRAŇUJTE je, dokud nebudete chtít potrubí zapojit.
- Ujistěte se, že je veškeré místní potrubí zaizolováno až k připojovací straně jednotky. Případné obnažené potrubí může způsobit kondenzaci nebo popálení v případě dotyku.

4.1 ROZŠIŘOVÁNÍ KONCŮ TRUBEK

POZNÁMKA

- Nástroje požadované k rozšíření konců trubek jsou řezák na trubky, výstružník, rozšiřovací nástroj a držák trubek.
- U chladicích modelů R32 musí být připojovací body potrubí umístěny mimo místnost.

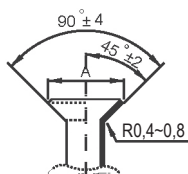
4.1.1 Pomocí řezáku trubek uřízněte trubku na požadovanou délku. Zajistěte, aby odříznutý konec byl v úhlu 90° ke straně trubky.



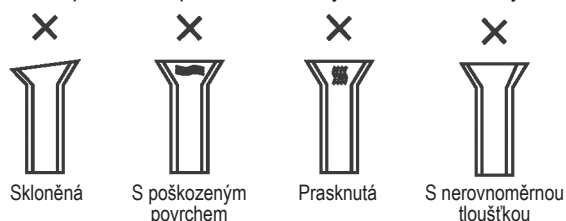
4.1.2 Použijte výstružník k odstranění otrěpů z odříznutého povrchu tak, aby se úlomky nedostaly do trubky.

4.1.3 Pomocí rozšiřovacích nástrojů provedte rozšíření konce, jak je uvedeno níže.

Vnější průměr	A (mm)	
	Max.	Min.
Ø6,35 mm	8,7	8,3
Ø9,52 mm	12,4	12,0
Ø12,7 mm	15,8	15,4
Ø15,88 mm	19,0	18,6
Ø19,05 mm	23,3	22,9

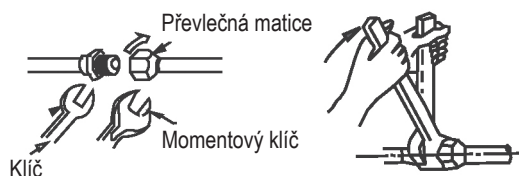


4.1.4 Zkontrolujte, zda je rozšíření konců trubek správně provedeno. Viz příklad nesprávně rozšířených trubek uvedený níže.



4.2 INSTALACE POTRUBÍ

4.2.1 Srovnejte na střed pro utažení převlečné matice a dokončete připojení pomocí dvou klíčů.



Velikost potrubí	Utahovací moment
Ø6,35 mm	18 ~ 20 N.m
Ø 9,52 mm	25 ~ 26 N.m
Ø 12,7 mm	35 ~ 36 N.m
Ø 15,88 mm	45 ~ 47 N.m
Ø 19,05 mm	65 ~ 67 N.m

4.2.2 Vyberte vhodný izolační materiál pro potrubí chladiva. (Min. 10 mm, tepelná izolační pěna C)

- Použijte samostatně tepelně izolované trubky pro plynové a kapalně potrubí.
- Tloušťka uvedená výše je standardní pro vnitřní teplotu 27 °C a vlhkost 80 %. Pokud instalujete jednotku v nepříznivých podmínkách, např. v blízkosti koupelny, kuchyně a podobných míst, zesilte izolaci.
- Teplota tepelného odporu izolace by měla být vyšší než 120 °C.
- Na spojovací součásti izolace použijte lepidla, abyste předešli vniknutí vlhkosti.
- Opravte a zakryjte případné praskliny v izolaci a zvláště zkontrolujte ohnuté součásti nebo zavěšení trubek.

UPOZORNĚNÍ

- V případě nutnosti pájení pracujte s fukáním plynného dusíku.
- Nesprávný utahovací moment způsobí poškození rozšíření nebo únik plynu.

4. PRÁCE NA POTRUBÍ CHLADIVA

4.3 POTRUBÍ CHLADIVA

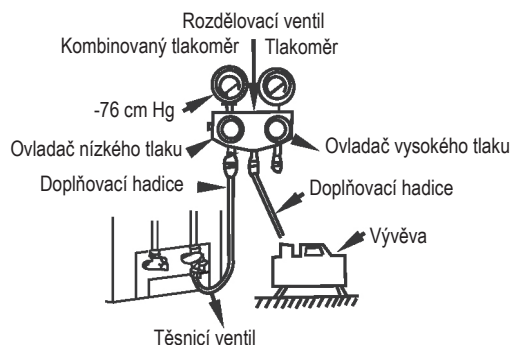
Model 38QUS	Strana kapaliny	Strana plynu	Přípustná délka potrubí (m)	Max. výškový rozdíl (m)	Délka bez dodatečného doplnění (m)	Dodatečné doplnění na metr (R410A/R32)
009/012	Ø 6,35 mm	Ø9,52mm	25	10	5	15/12 g/m
018	Ø 6,35 mm	Ø12,7 mm	30	20	5	15/12 g/m

POZNÁMKA: 1) Použijte prosím nářadí pro systém R410A/R32;

2) Když je délka potrubí přes 5 m, mělo by být doplněno další chladivo podle délky potrubí.

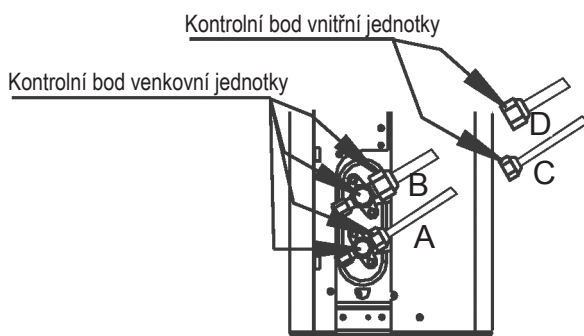
4.4 ODVZDUŠNĚNÍ

- Připojte doplňovací hadici z rozdělovacího ventilu k servisnímu portu těsnicího ventilu na straně plynu.
- Připojte doplňovací hadici k portu vývěvy.
- Úplně otevřete páčku nízkého tlaku rozdělovacího ventilu.
- Spusťte vývěvu pro vyčerpání vzduchu ze systému až k hodnotě 76 cm Hg.
- Uzavřete páčku nízkého tlaku rozdělovacího ventilu.
- Úplně otevřete dřík těsnicího ventilu.
- Odpojte doplňovací hadici ze servisního portu.
- Pevně utáhněte krytky těsnicího ventilu.



4.5 ZKOUŠKA TĚSNOSTI

Po dokončení instalace potrubí zkontrolujte spojovací části každého potrubí chladiva a ověřte, že nedochází k úniku plynu aplikací mýdlové vody na příslušné spoje nebo pomocí detektoru netěsností vhodného pro chladiva HFC. Příklad je na níže uvedeném obrázku.



A: Uzavírací ventil nízkého tlaku

B: Uzavírací ventil vysokého tlaku

C a D: Přelevné matice vnitřní jednotky

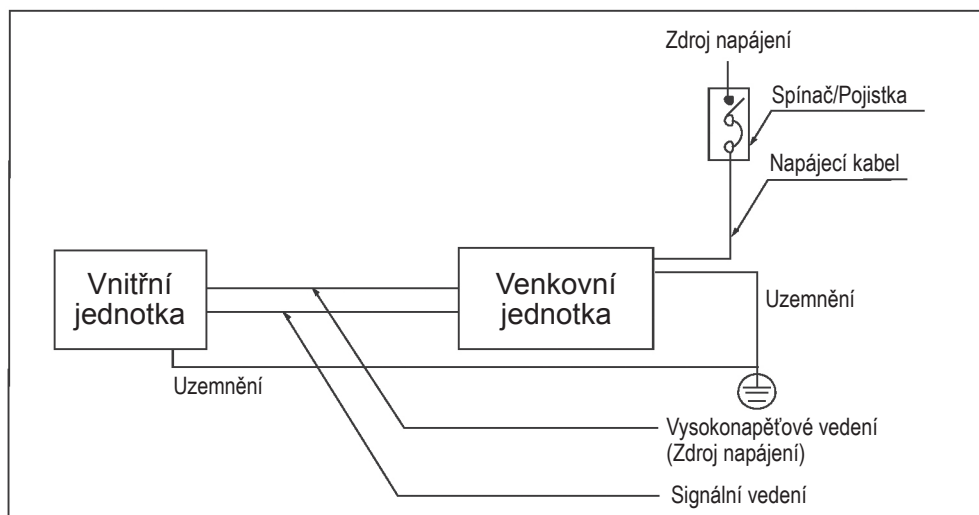
5. ELEKTROINSTALACE

UPOZORNĚNÍ

- Veškeré elektrické připojení musí být provedeno kvalifikovanými instalačními pracovníky a veškerá elektroinstalace musí být zapojena podle schématu elektroinstalace.
- Před provedením dalšího elektrického připojení proveďte uzemnění.
- Všechny zdroje napájení musí být před provedením elektroinstalace vypnuty a nezapínejte je, dokud se neujistíte, že byla veškerá elektroinstalace bezpečně zkontrolována.
- Je nutné nainstalovat hlavní vypínač a jistič nebo pojistku s kapacitou vyšší než 1,5násobek maximálního proudu v obvodu.
- Pro tento spotřebič musí být k dispozici samostatná větev obvodu a jediná zásuvka určená pouze pro tuto jednotku.
- Průřez vodičů závisí na jmenovitém proudu a národních, státních a místních elektroinstalačních předpisech. V případě zvláštních požadavků si prostudujte místní stavební předpisy a národní elektroinstalační předpisy.
- Pokud je napájecí kabel poškozen, musí být vyměněn výrobcem, jeho servisním zástupcem nebo podobně kvalifikovanou osobou, aby se předešlo možnému nebezpečí.
- Jednotka musí být připojena k hlavnímu zdroji napájení pomocí jističe nebo spínače s oddělením kontaktů nejméně 3 mm u všech pólů. Je vhodná instalace proudového chrániče (RCD), který má jmenovitý zbytkový proud nepřesahující 30 mA.

5.1 NAPÁJENÍ Z VNĚJŠÍ STRANY

- Schéma elektroinstalace



- Zdroj napájení a specifikace připojovacích kabelů

Režim(Btu/h)		9k	12k	18k
Napájení	Fáze	1-Fáze	1-Fáze	1-Fáze
	Frekvence a volty	220-240V~ 50Hz	220-240V~ 50Hz	220-240V~ 50Hz
Jmenovitý proud		10A	10A	11A
Hodnota pojistky (Síť. napájení)		20A	20A	20A
Napájecí kabel (Síť. napájení)		H07RN-F; 3×2,5mm ²	H07RN-F; 3×2,5mm ²	H07RN-F; 3×2,5mm ²
Vnější/vnitřní připojovací kabeláž (Síť. napájení)		H07RN-F; 4×1,5mm ²	H07RN-F; 4×1,5mm ²	H07RN-F; 4×2,5mm ²

UPOZORNĚNÍ NA SPECIFIKACE POJISTEK:

(platí pouze pro jednotky s chladivem R32 a pojistky z keramiky.)

1. Specifikace pojistky venkovní jednotky je T20A/250V stříd. proudu (pro jednotku <24000Btu/h), T30A/250V stříd. proudu (pro jednotku >24000Btu/h)
2. Specifikace pojistky vnitřní jednotky je T5A/250V stříd. proudu, T10A/250V stříd. proudu.

6. ZÁVĚREČNÁ KONTROLA A ZKUŠEBNÍ PROVOZ

6.1 KONTROLNÍ SEZNAM ZÁVĚREČNÉ KONTROLY

Chcete-li dokončit instalaci, proveďte před zkušebním provozem následující kontroly.

- Pevnost místa instalace z vnitřní i venkovní strany; ověřte, že u přívodu a vývodu vzduchu nejsou žádné překážky.
- Těsnost připojení potrubí chladiva a potvrzení nulových netěsností
- Zapojení elektroinstalace je správně provedeno a jednotka je uzemněna
- Zkontrolujte celkovou délku potrubí a zaznamenejte objem doplněného chladiva
- Napájení odpovídá specifikovanému napětí klimatizační jednotky
- Izolace potrubí
- Odtok

6.2 RUČNÍ OBSLUHA

Ruční obsluha může být prováděna stisknutím manuálního tlačítka na displeji panelu.

Opakovaně stiskněte tlačítko ručního ovládání, chcete-li změnit režimy následujícím způsobem:

- Jedenkrát = režim AUTO [vytápění, chlazení nebo ventilátor 24°C a automatické otáčky ventilátoru].
- Dvakrát = režim CHLAZENÍ [přepne se do režimu AUTO po 30 minutách (používá se hlavně pro testování)]
- Třikrát = VYPNUTO

6.3 ZKUŠEBNÍ PROVOZ

Nastavte klimatizaci v režimu CHLAZENÍ dálkovým ovladačem (nebo manuálním tlačítkem) a zkontrolujte stav chodu vnitřní a venkovní jednotky. V případě poruchy ji vyřešte podle kapitoly „Odstraňování problémů“ v návodu k údržbě.

Vnitřní jednotka

- Zda tlačítka (např. ON/OFF, MODE, TEMPERATURE, FAN SPEED atd.) na dálkovém ovladači fungují správně.
- Zda se žaluzie pohybuje normálně.
- Zda je pokojová teplota nastavena správně.
- Zda kontrolky na displeji fungují normálně.
- Zda tlačítko „manual“ funguje správně.
- Zda je odtok normální.
- Zda jsou během provozu přítomny vibrace nebo abnormální hluk.
- Zda vnitřní jednotka pracuje správně v režimu CHLAZENÍ nebo OHŘEVU.

Venkovní jednotka

- Zda jsou během provozu přítomny vibrace nebo abnormální hluk.
- Zda generované proudění vzduchu, hluk nebo kondenzovaná voda neruší vaše okolí.
- Zda nedochází k jakémukoliv úniku chladiva.



UPOZORNĚNÍ

- Při opětovném spuštění jednotky dojde z důvodu ochrany k prodlevě asi 3 minuty.

7. INFORMACE PRO PROVÁDĚNÍ SERVISNÍCH ZÁSAHŮ

7.1 KONTROLY MÍSTA PROVOZU

Před zahájením práce na systémech obsahujících hořlavá chladiva je nutné provést bezpečnostní kontroly, které zajistí minimalizaci rizika vznícení. Při opravách chladicího systému je nutné před provedením práce dodržet následující pokyny.

7.2 PRACOVNÍ POSTUP

Aby bylo možné minimalizovat riziko výskytu hořlavého plynu nebo výparů v průběhu práce, musí být pracovní kroky prováděny podle řízeného postupu.

7.3 CELKOVÁ PRACOVNÍ OBLAST

Všichni pracovníci provádějící údržbu i ostatní osoby pracující v dané oblasti musejí být poučeny o charakteru prováděné práce. Je nutné zamezit práci ve stísněných prostorách. Okolní oblast pracovního místa musí být rozdělena na úseky. Zajistěte bezpečné pracovní podmínky v dané oblasti s ohledem na kontrolu hořlavých materiálů.

7.4 KONTROLA PŘÍTOMNOSTI CHLADIVA

Aby bylo možné zajistit, že budou technici obeznámeni s možným hořlavým prostředím, je nutné oblast před a během provádění práce zkontrolovat pomocí vhodného detektoru chladiva. Ujistěte se, že je zařízení používané pro detekci úniku vhodné pro použití s hořlavými chladivy, tj. bezjiskrové, a že je zajištěna jeho dostatečná těsnost nebo jeho jiskrová bezpečnost.

7.5 DOSTUPNOST HASICÍHO PŘÍSTROJE

Pokud má být na chladicím zařízení nebo jakýchkoliv přidružených součástech prováděna jakákoliv práce za přítomnosti vysoké teploty, musí být k dispozici vhodné hasicí zařízení. V blízkosti plnicí oblasti umístěte práškový nebo CO₂ hasicí přístroj.

7.6 ELIMINOVÁNÍ ZDROJŮ VZNÍCENÍ

Žádné osoby, které provádějí práce spojené s chladicím systémem, zahrnující jakékoliv zpřístupnění potrubí, které obsahuje nebo obsahovalo hořlavé chladivo, nesmějí používat žádné zdroje vznícení takovým způsobem, který by mohl vést ke vzniku nebezpečí požáru nebo výbuchu. U veškerých případných zdrojů vznícení včetně cigaretového kouře musí být zajištěna dostatečná vzdálenost od místa instalace, prací oprav, demontáže a likvidace, během kterých by mohlo případně docházet k uvolňování hořlavého chladiva do okolního prostředí. Před prováděním práce je nutné zkontrolovat okolní oblast zařízení, abyste se ujistili, že nehrozí žádné nebezpečí požáru ani riziko vznícení. Musí být viditelně umístěny tabule „ZÁKAZ KOUŘENÍ“.

7.7 ODVĚTRÁVANÁ OBLAST

Zajistěte, aby byla práce prováděna pod širým nebem nebo aby byla oblast před rozpojením soustavy nebo prováděním jakékoliv činnosti za přítomnosti vysoké teploty dostatečně odvětrávána. Nepřetržité odvětrávání musí být zajištěno po celou dobu provádění práce. Odvětrávání musí bezpečně rozptylovat veškeré uvolněné chladivo a v ideálním případě jej vyfukovat do vnějšího ovzduší.

7.8 KONTROLY CHLADICÍCH ZAŘÍZENÍ

Při výměně elektrických součástí musí být tyto součásti vhodné pro dané účely a musí splňovat požadovanou specifikaci. Vždy je nutné postupovat podle pokynů výrobce pro provádění údržby a oprav. V případě nejasností se prosím obraťte na technické oddělení výrobce. U zařízení, používajících hořlavá chladiva, musí být prováděny následující kontroly:

7. INFORMACE PRO PROVÁDĚNÍ SERVISNÍCH ZÁSAHŮ

- plnicí objem odpovídá velikosti místnosti, ve které jsou umístěny součásti obsahující chladivo,
- odvětrávací zařízení a výstupní hadice jsou dostatečně funkční a nejsou zakrývány,
- pokud je používán nepřímý chladicí okruh, je nutné dílčí okruhy zkontrolovat ohledně přítomnosti chladiva, označení zařízení musí být i nadále jasně viditelné a čitelné.
- nečitelná označení a tabule je nutné opravit,
- pokud nejsou potrubí chladiva nebo jeho součásti vyrobeny z materiálů přirozeně odolných proti korozi nebo nejsou proti působení koroze vhodně chráněny, musí být umístěny v poloze, kdy je nepravděpodobné jejich vystavení jakýmkoliv látkám, které by mohly mít za následek korozi vedení chladiva.

7.9 KONTROLY ELEKTRICKÝCH ZAŘÍZENÍ

Opravy a údržba elektrických součástí musí zahrnovat počáteční bezpečnostní kontroly a kontrolní postupy součástí. Pokud dojde k závadě, která by mohla mít vliv na snížení bezpečnosti, nesmí být obvod připojen k žádnému zdroji elektrické energie, dokud nebude tato závada náležitě odstraněna. Pokud není možné závadu okamžitě odstranit, ale je nutné pokračovat v provozu, je třeba zajistit přiměřené dočasné řešení. Tuto situaci je nutné oznámit vlastníkovi zařízení, aby byly informovány všechny strany.

Počáteční bezpečnostní kontroly musí zajišťovat:

- vybití kondenzátorů: musí být provedeno bezpečným způsobem pro zamezení možnosti jiskření
- zamezení odhalení veškerých elektrických součástí a kabelů pod napětím při plnění, čištění nebo proplachování systému,
- nepřerušené stálé uzemnění.

7.10 OPRAVY UTĚSNĚNÝCH SOUČÁSTÍ

- 10.1 Během oprav utěsněných součástí musí být od příslušného zařízení před demontáží utěsněných krytů atd. odpojeny veškeré přívoody elektrické energie. Pokud je zachování přívodu elektrické energie do zařízení během opravy nezbytně nutné, potom musí být zajištěno trvalé použití vhodného přístroje pro detekci úniku, který je nutné umístit do nejkritičtějšího místa, aby byla zajištěna výstraha v případě hrozící nebezpečné situace.
- 10.2 Při práci na elektrických součástech je nutné věnovat zvláštní pozornost tomu, aby nedocházelo k pozměňování pláště takovým způsobem, který by měl za následek snížení stupně ochrany. To zahrnuje poškození kabelů, nadměrný počet přípojek, provedení svorek, které neodpovídá originální specifikaci, poškození těsnění, nesprávné upevnění víček apod.
- Zajistěte, aby bylo zařízení bezpečně připevněno.
 - Zajistěte, aby nedocházelo k degradaci těsnění nebo těsnicích prostředků do takové míry, že by dále nemohly sloužit ke svému účelu zabránění pronikání hořlavého ovzduší. Náhradní díly musí splňovat specifikace výrobce.

POZNÁMKA: Používání silikonových těsnicích prostředků může snižovat účinnost některých typů zařízení pro detekci úniku. Jiskrově bezpečné součásti není nutné před prováděním práce odpojovat.

7.11 OPRAVY JISKROVĚ BEZPEČNÝCH SOUČÁSTÍ

Nepoužívejte v obvodu žádnou trvalou indukční ani kapacitní zátěž bez ujištění, že nedojde k překročení povolených hodnot napětí a proudu pro dané zařízení. Jiskrově bezpečné součásti jsou jediným typem, u kterého mohou být v hořlavém prostředí prováděny opravy pod napětím. Zkušební přístroj musí zahrnovat správné nominální hodnoty. Součásti vyměňujte pouze za díly určené výrobcem. Používání jiných dílů by mohlo mít při úniku chladiva za následek jeho vznícení v ovzduší.

7. INFORMACE PRO PROVÁDĚNÍ SERVISNÍCH ZÁSAHŮ

7.12 KABELY

Zkontrolujte, zda u kabelů nedochází k opotřebení, korozi, nadměrnému tlaku, vibracím, výskytu ostrých hran nebo jiným nepříznivým vlivům prostředí. Při této kontrole je také nutné zohlednit účinky stárnutí nebo trvalých vibrací ze zdrojů, jako jsou např. kompresory nebo ventilátory.

7.13 DETEKCE VÝSKYTU HOŘLAVÝCH CHLADIV

Za žádných okolností nesmí být při vyhledávání nebo detekci úniků chladiva používány možné zdroje vznícení. Není dovoleno používat halogenový hořák (nebo jiný detektor s otevřeným plamenem).

7.14 METODY DETEKCE ÚNIKU

Následující způsoby detekce úniku jsou považovány za přijatelné pro systémy obsahující hořlavá chladiva. Pro detekci hořlavých chladiv je nutné používat elektronické detektory úniku, u kterých však nemusí být k dispozici dostatečná citlivost, nebo mohou vyžadovat opakovanou kalibraci. (Detekční přístroj je nutné kalibrovat v prostředí bez výskytu chladiva.) Ujistěte se, že není detektor potenciálním zdrojem vznícení a že je vhodný pro dané chladivo. Zařízení pro detekci úniku chladiva musí být nastaveno na koncentraci LFL chladiva, musí být zkalibrován na použité chladivo a musí být ověřena vhodná koncentrace plynu (maximálně 25 %). Kapaliny pro detekci úniku jsou vhodné pro použití u většiny typů chladiva, je však nutné se vyvarovat používání čisticích prostředků s obsahem chloru, protože by mohlo dojít k reakci chloru s chladivem a následné korozi měděného potrubí. Pokud existuje podezření úniku, je nutné odstranit nebo zhasnout všechny zdroje otevřeného plamene. Pokud je zjištěn únik chladiva, který vyžaduje pájení, je nutné ze systému veškeré chladivo vypustit nebo jej soustředit (pomocí uzavíracích ventilů) do části, která je v dostatečné vzdálenosti od místa úniku. Před i po vlastním pájení je potom nutné systém propláchnout dusíkem bez obsahu kyslíku (OFN).

7.15 VYPUŠTĚNÍ A VYČERPÁNÍ VZDUCHU

Při přerušení okruhu chladiva za účelem opravy nebo za jakýmkoliv jiným účelem je nutné používat konvenční postupy. Protože je však nutné zohlednit také hořlavost, je důležité používat osvědčený postup. Je nutné dodržet následující postup:

- vypuštění chladiva,
- propláchnutí okruhu inertním plynem,
- vyčerpání vzduchu,
- opětovné propláchnutí inertním plynem, otevření okruhu řezáním nebo pájením.

Náplň chladiva je nutné vypustit do vhodných tlakových lahví. Aby bylo možné zajistit bezpečnost jednotky, musí být provedeno propláchnutí systému dusíkem bez obsahu kyslíku (OFN). Tento proces může být nutné několikrát opakovat.

Pro tuto činnost není dovoleno používat stlačený vzduch ani kyslík.

Propláchnutí lze provést přerušením podtlaku v systému pomocí dusíku bez obsahu kyslíku (OFN) a dalším plněním, dokud nebude dosažen pracovní tlak, následným odvětráním do okolního prostředí a konečným opětovným vytvořením podtlaku. Tento proces je nutné opakovat, dokud se nebude v systému nacházet žádné chladivo.

Po konečném naplnění systému dusíkem bez obsahu kyslíku (OFN) je nutné systém odvzdušnit na atmosférický tlak, aby bylo možné provádět další práce. Tato činnost je naprosto zásadní, pokud má být na potrubí prováděno pájení. Ujistěte se, že se výstupní hadice vývěvy nenachází v blízkosti žádných zdrojů vznícení a že je zajištěno odvětrávání.

7. INFORMACE PRO PROVÁDĚNÍ SERVISNÍCH ZÁSAHŮ

7.16 POSTUPY PLNĚNÍ

Kromě konvenčních postupů plnění je nutné dodržovat následující požadavky:

- Zajistěte, aby při používání plnicího zařízení nedocházelo ke kontaminaci jinými typy chladiva. Hadice nebo potrubí musí být co nejkratší, aby bylo možné minimalizovat množství obsaženého chladiva.
- Lahve musí být umístěny vzpřímeně.
- Před plněním chladiva do systému se ujistěte, že je chladicí systém uzemněn.
- Po ukončení plnění označte systém (pokud to již nebylo provedeno).
- Je nutné extrémně dbát na to, aby nedošlo k přeplnění chladicího systému.
- Před opětovným naplněním systému je nutné provést jeho tlakovou zkoušku pomocí dusíku bez obsahu kyslíku (OFN). Po ukončení plnění je před uvedením systému do provozu nutné jej zkontrolovat ohledně úniku. Následuje zkouška úniku

7.17 UVEDENÍ DO PROVOZU

Před provedením tohoto postupu je důležité, aby se technik podrobně seznámil se zařízením a všemi jeho částmi. Doporučený správný postup zahrnuje bezpečné vypuštění veškerého paliva. Před prováděním této činnosti je nutné odebrat vzorek oleje a chladiva.

To je pro případ, kdy by bylo před opětovným použitím regenerovaného chladiva nutné provést analýzu. Před dalším pokračováním v činnosti je důležité, aby byl k dispozici zdroj elektrické energie.

- a) Seznamte se se zařízením a jeho obsluhou.
- b) Odpojte zdroj elektrické energie.
- c) Před prováděním činnosti se ujistěte, že:
 - je k dispozici zařízení pro mechanickou manipulaci, v případě potřeby pro manipulaci s lahvemi na chladivo,
 - jsou k dispozici veškeré osobní ochranné prostředky a jsou správně používány,
 - je při procesu vypouštění zajištěn trvalý dohled kvalifikované osoby,
 - vypouštěcí zařízení a lahve splňují příslušné normy.
- d) Pokud je to možné vypumpujte chladicí systém.
- e) Pokud není k dispozici podtlak, sestavte sběrné potrubí, aby bylo možné vypustit chladivo z různých částí systému.
- f) Před vlastním vypouštěním se ujistěte, že je lahev umístěna na váhách.
- g) Spustte vypouštěcí zařízení a postupujte podle pokynů výrobce.
- h) Lahve nepřepĺňujte. (Ne více než 80 % objemu kapalné náplně).
- i) Nepřekračujte, a to ani dočasně, maximální provozní tlak lahví.
- j) Po správném naplnění lahví a dokončení procesu zajistěte, aby byly lahve a příslušné zařízení z místa ihned odstraněny a ujistěte se, že jsou všechny odpojovací ventily zařízení uzavřeny.
- k) Vypuštěné chladivo nesmí být bez vyčištění a kontroly plněno do jiného chladicího systému.

7.18 OZNAČENÍ

Zařízení musí být označeno údaji o vyřazení z provozu a vyprázdnění náplně chladiva. Na štítku musí být uvedeno datum a podpis. Ujistěte se, že jsou na zařízení umístěny štítky s informací, že zařízení obsahuje hořlavé chladivo.

7. INFORMACE PRO PROVÁDĚNÍ SERVISNÍCH ZÁSAHŮ

7.19 VYPOUŠTĚNÍ

- Při vypouštění chladiva ze systému, za účelem opravy nebo vyřazení z provozu je doporučeným správným postupem bezpečné kompletní vypuštění chladiva.
- Při čerpání chladiva do tlakových lahví zajistěte, aby byly používány pouze vhodné lahve na chladivo. Ujistěte se, že je k dispozici dostatečný počet lahví, který pojme celou náplň systému. Všechny používané tlakové lahve musí být určeny pro vypuštěné chladivo a označeny pro dané palivo (tj. speciální tlakové lahve pro vypouštění chladiva). Tlakové lahve musí být v kompletním bezvadném stavu s pojistným ventilem a přidruženými uzavíracími ventily.
- Z prázdných tlakových lahví musí být před vypouštěním vyčerpán vzduch a pokud je to možné, měly by být také ochlazeny.
- Zařízení pro vypouštění musí být v bezvadném stavu a musí být k dispozici kompletní pokyny pro používání tohoto zařízení, které je určeno pro vypouštění hořlavých typů chladiva. Mimo jiné musí být k dispozici sada kalibrovaných vah, která je také v bezvadném stavu.
- Hadice musí být kompletní, včetně přípojek bez možnosti úniku při odpojení, a v bezvadném stavu. Před použitím zařízení pro vypouštění zkontrolujte, zda je v dostatečném provozuschopném stavu, zda byla správně prováděna jeho údržba a zda jsou všechny přidružené elektrické součásti těsné, aby bylo možné zamezit vznícení v případě úniku chladiva. V případě pochybností se obraťte na vedoucího pracovníka.
- Vypuštěné chladivo je nutné vrátit jeho dodavateli ve vhodné tlakové lahvi a s přiloženým příslušným zápisem o přepravě odpadu. Nemíchejte chladiva v přepravních nádobách a zvláště ne v tlakových lahvích.
- V případě demontáže kompresorů nebo vypouštění kompresorového oleje se ujistěte, že bylo vyčerpání vzduchu provedeno na dostatečnou úroveň, aby bylo možné zabránit výskytu zbytků hořlavého chladiva v mazivu. Proces vyčerpání vzduchu musí být proveden před vrácením kompresoru dodavateli. Pro urychlení tohoto procesu lze použít elektrické ohřívání pláště kompresoru. Při vypouštění oleje ze systému je nutné postupovat bezpečně.

7.20 PŘEPRAVA, ZNAČENÍ A SKLADOVÁNÍ JEDNOTEK

1. Přeprava zařízení obsahující hořlavá chladiva Dodržení předpisů pro přepravu
2. Značení zařízení pomocí symbolů Dodržení místních předpisů
3. Likvidace zařízení používajících hořlavá chladiva Dodržení národních předpisů
4. Skladování zařízení/spotřebičů
5. Skladování zabalených (neprodaných) zařízení

Skladování zařízení musí být v souladu s pokyny výrobce.

Ochranné prvky skladovaných balení musí být konstruovány tak, aby zabránily úniku náplně chladiva v případě mechanického poškození zařízení uvnitř balení.

Maximální počet kusů zařízení, které je dovoleno skladovat společně bude stanoveno místními předpisy.

Το προϊόν αυτό συμμορφώνεται με την Οδηγία Χαμηλής Τάσης (2014/35/EK), και την Οδηγία για την Ηλεκτρομαγνητική Συμβατότητα (2014/30/EK) της Ευρωπαϊκής Ένωσης.



Σωστή διάθεση αυτού του προϊόντος (Απόβλητα ηλεκτρικού και ηλεκτρονικού εξοπλισμού)

(Όταν χρησιμοποιείτε αυτό το κλιματιστικό σε χώρες της Ευρώπης, πρέπει να τηρείτε τις ακόλουθες οδηγίες)

- Αυτή η σήμανση που εμφανίζεται στο προϊόν ή στα εγχειρίδια του υποδεικνύει ότι η απόρριψη αποβλήτων ηλεκτρικού και ηλεκτρονικού εξοπλισμού (ΑΗΗΕ στην οδηγία 2012/19/ΕΕ) δεν πρέπει να γίνεται σε χώρο που προορίζεται για τα κοινά οικιακά απόβλητα.

Απαγορεύεται η απόρριψη αυτής της συσκευής στα οικιακά απόβλητα.

Για την απόρριψή της, υπάρχουν αρκετές επιλογές:

1. Ο δήμος διαθέτει συστήματα συλλογής, όπου μπορούν να απορρίπτονται τα ηλεκτρονικά απόβλητα, τα οποία είναι τουλάχιστον χωρίς χρέωση για το χρήστη.
2. Όταν αγοράζετε ένα νέο προϊόν, το κατάστημα θα πάρει πίσω το παλιό προϊόν τουλάχιστον χωρίς χρέωση.
3. Ο κατασκευαστής θα πάρει πίσω την παλιά συσκευή τουλάχιστον χωρίς χρέωση για τον χρήστη.
4. Επειδή τα παλιά προϊόντα περιέχουν πολύτιμα υλικά, μπορούν να πωληθούν σε εμπόρους παλαιών μετάλλων και σιδήρου.

Η ανεξέλεγκτη διάθεση αποβλήτων σε δάση και στη φύση θέτει σε κίνδυνο την υγεία σας όταν οι επικίνδυνες ουσίες διαρρέουν στο έδαφος και το νερό και εισέρχονται στην τροφική αλυσίδα.

Αυτό το προϊόν περιέχει φθοριούχα αέρια καλυπτόμενα από το πρωτόκολλο του Κιότο

Χημική ονομασία του αερίου

R410A / R32

Δυναμικό υπερθέρμανσης του πλανήτη (GWP) του αερίου

2088 / 675

ΠΡΟΣΟΧΗ

1. Επικολλήστε την εσώκλειστη ετικέτα ψυκτικού δίπλα στη θέση πλήρωσης ή/και ανάκτησης.
2. Γράψτε καθαρά την ποσότητα ψυκτικού που έχει προστεθεί πάνω στην ετικέτα του ψυκτικού, χρησιμοποιώντας ανεξίτηλο μελάνι.
3. Αποτρέψτε τις εκπομπές των περιεχόμενων φθοριούχων αερίων. Βεβαιωθείτε ότι το φθοριούχο αέριο δεν εξαερώνεται σε καμία περίπτωση στην ατμόσφαιρα κατά τη διάρκεια της εγκατάστασης, της συντήρησης ή της απόρριψης της συσκευής. Όταν εντοπιστεί οποιαδήποτε διαρροή του περιεχόμενου φθοριούχου αερίου, η διαρροή θα πρέπει να διακοπεί και να επισκευαστεί το ταχύτερο δυνατόν.
4. Μόνο ειδικευμένο προσωπικό συντήρησης επιτρέπεται να έχει πρόσβαση και να επισκευάζει αυτό το προϊόν.
5. Κάθε χειρισμός των φθοριούχων αερίων που περιέχονται σε αυτό το προϊόν, όπως κατά τη μετακίνηση του προϊόντος ή τον ανεφοδιασμό με αέριο, πρέπει να συμμορφώνεται με τον Κανονισμό (ΕΚ) αριθμ. 517/2014 για ορισμένα φθοριούχα αέρια του θερμοκηπίου, καθώς και με κάθε σχετική τοπική νομοθεσία.
6. Για τυχόν απορίες, επικοινωνήστε με τους αντιπροσώπους, τους υπεύθυνους εγκατάστασης κ.λπ.

Εσωτερική μονάδα	Διαστάσεις (ΕΣΜ)	Εξωτερική μονάδα	Διαστάσεις (ΕΞΜ)	Ονομαστική τάση και Hz
42QZA009DS*	700x600x210	38QUS009DS*	770x300x555	
42QZA012DS*				
42QZA012D8S*	700x600x210	38QUS012DS*	800x333x554	220-240V~ 50Hz
42QZA018DS*	700x600x210	38QUS018DS*	800x333x554	

Ο κατασκευαστής διατηρεί το δικαίωμα μεταβολής οποιασδήποτε προδιαγραφής του προϊόντος χωρίς προειδοποίηση.

ΠΕΡΙΕΧΟΜΕΝΑ

1. ΠΡΟΕΤΟΙΜΑΣΙΑ ΓΙΑ ΕΓΚΑΤΑΣΤΑΣΗ	3
1.1 Προφυλάξεις ασφαλείας	3
1.2 Εξαρτήματα	4
2. ΕΓΚΑΤΑΣΤΑΣΗ ΕΣΩΤΕΡΙΚΗΣ ΜΟΝΑΔΑΣ	6
2.1 Επιλογή θέσης εγκατάστασης	6
2.2 Εγκατάσταση της εσωτερικής μονάδας	7
2.3 Τρόπος σύνδεσης σωλήνων και καλωδίων	7
2.4 Εγκατάσταση του σωλήνα αποστράγγισης	8
3. ΕΓΚΑΤΑΣΤΑΣΗ ΕΞΩΤΕΡΙΚΗΣ ΜΟΝΑΔΑΣ	9
3.1 Επιλογή θέσης εγκατάστασης	9
3.2 Διαστάσεις τοποθέτησης εξωτερικής μονάδας	9
3.3 Απαιτήσεις χώρου για την εξωτερική μονάδα	10
3.4 Εγκατάσταση της εξωτερικής μονάδας	10
3.5 Εγκατάσταση του σωλήνα αποστράγγισης για την εξωτερική μονάδα	10
4. ΣΥΝΔΕΣΗ ΣΩΛΗΝΩΣΕΩΝ ΨΥΚΤΙΚΟΥ	11
4.1 Εκκείλωση	11
4.2 Σύνδεση σωληνώσεων	11
4.3 Σωλήνας ψυκτικού	12
4.4 Εκκένωση αέρα	12
4.5 Δοκιμή διαρροών	12
5. ΚΑΛΩΔΙΩΣΗ	13
6. ΤΕΛΙΚΟΣ ΕΛΕΓΧΟΣ ΚΑΙ ΔΟΚΙΜΑΣΤΙΚΗ ΛΕΙΤΟΥΡΓΙΑ	14
6.1 Τελική λίστα ελέγχου	14
6.2 Χειροκίνητη λειτουργία	14
6.3 Δοκιμαστική λειτουργία	14
7. ΠΛΗΡΟΦΟΡΙΕΣ ΓΙΑ ΤΟ ΣΕΡΒΙΣ	15



Προσοχή: Κίνδυνος πυρκαγιάς μόνο
όσον αφορά το ψυκτικό μέσο R32/R290

1. ΠΡΟΕΤΟΙΜΑΣΙΑ ΓΙΑ ΕΓΚΑΤΑΣΤΑΣΗ

1.1 ΠΡΟΦΥΛΑΞΕΙΣ ΑΣΦΑΛΕΙΑΣ

- Η εγκατάσταση, εκκίνηση και συντήρηση των κλιματιστικών μπορεί να είναι επικίνδυνη λόγω πιέσεων του συστήματος, ηλεκτρικών μερών και θέσης του εξοπλισμού (οροφές, ανυψωμένες κατασκευές, κ.λπ.).
- Η εγκατάσταση, εκκίνηση και συντήρηση του εξοπλισμού πρέπει να πραγματοποιείται μόνο από εκπαιδευμένους και καταρτισμένους τεχνικούς εγκατάστασης συντήρησης.
- Κατά την εργασία με τον εξοπλισμό, τηρήστε τις προφυλάξεις που περιέχονται στο φυλλάδιο και στις ετικέτες, τα αυτοκόλλητα και τις πινακίδες που συνοδεύουν τον εξοπλισμό.
- Τηρήστε όλους τους κώδικες ασφαλείας. Φοράτε προστατευτικά γυαλιά και γάντια εργασίας. Κατά τις εργασίες συγκόλλησης, χρησιμοποιήστε ειδικά ρούχα προστασίας ηλεκτροσυγκολλητών και φροντίστε να έχετε πρόχειρο έναν πυροσβεστήρα. Να είστε προσεκτικοί κατά το χειρισμό, την ανύψωση και την τοποθέτηση ογκώδους εξοπλισμού.
- Διαβάστε προσεκτικά τις οδηγίες και ακολουθήστε όλες τις προειδοποιήσεις ή προφυλάξεις που περιλαμβάνονται στο φυλλάδιο και αφορούν τη μονάδα. Συμβουλευτείτε τους τοπικούς κανονισμούς για τα κτίρια καθώς και τον Εθνικό Ηλεκτρολογικό Κανονισμό για τυχόν ειδικές απαιτήσεις.

ΠΡΟΕΙΔΟΠΟΙΗΣΗ

Αυτό το σύμβολο υποδεικνύει την πιθανότητα πρόκλησης τραυματισμού ή θανάτου.

- Το ψυκτικό αέριο είναι βαρύτερο από τον αέρα και αντικαθιστά το οξυγόνο. Μια μαζική διαρροή θα μπορούσε να οδηγήσει σε εξάντληση του οξυγόνου, ιδιαίτερα σε υπόγειους χώρους, και θα μπορούσε να προκαλέσει κίνδυνο ασφυξίας που οδηγεί σε σοβαρό τραυματισμό ή θάνατο.
- Όταν τοποθετείτε το κλιματιστικό σε μικρό δωμάτιο, λάβετε κατάλληλα μέτρα ώστε να διασφαλίσετε ότι η συγκέντρωση σε περίπτωση διαρροής ψυκτικού στο δωμάτιο δεν υπερβαίνει το κρίσιμο όριο.
- Αν υπάρξει διαρροή ψυκτικού αερίου κατά τη διάρκεια της εγκατάστασης, αερίστε αμέσως το χώρο. Το ψυκτικό αέριο μπορεί να παράγει τοξικά αέρια σε περίπτωση που έρθει σε επαφή με φωτιά από συσκευές όπως αερόθερμα, σόμπες ή μαγειρικές εστίες. Η έκθεση σε τέτοιου είδους αέριο θα μπορούσε να προκαλέσει σοβαρό τραυματισμό ή θάνατο.
- Αποσυνδέστε τη συσκευή από την πρίζα προτού επιχειρήσετε οποιαδήποτε ηλεκτρολογική εργασία. Συνδέστε το καλώδιο σύνδεσης σωστά. Τυχόν εσφαλμένη σύνδεση μπορεί να οδηγήσει σε καταστροφή των ηλεκτρικών εξαρτημάτων.
- Χρησιμοποιήστε τα καθορισμένα καλώδια για τις ηλεκτρολογικές συνδέσεις και συνδέστε σφικτά τα καλώδια στους ακροδέκτες σύνδεσης ώστε να μην εφαρμόζονται εξωτερικές δυνάμεις στους ακροδέκτες.
- Βεβαιωθείτε ότι έχετε πραγματοποιήσει σύνδεση γείωσης. Μη συνδέετε τη γείωση των μονάδων σε σωλήνες αερίου ή νερού, αλεξικέραυνα ή καλώδια τηλεφώνων. Τυχόν ατελής γείωση μπορεί να προκαλέσει σοβαρό κίνδυνο ηλεκτροπληξίας με αποτέλεσμα τραυματισμό ή θάνατο.
- Απορρίψτε με ασφαλή τρόπο τα υλικά συσκευασίας. Ορισμένα υλικά συσκευασίας, όπως τα καρφιά και άλλα μεταλλικά ή ξύλινα εξαρτήματα, μπορεί να προκαλέσουν τρυπήματα ή άλλους τραυματισμούς. Ξεχωρίστε και απομακρύνετε τις πλαστικές σακούλες συσκευασίας, έτσι ώστε να μην παίξουν με αυτές παιδιά. Τα παιδιά που παίζουν με πλαστικές σακούλες αντιμετωπίζουν τον κίνδυνο της ασφυξίας.
- Μην τοποθετείτε τη μονάδα κοντά σε μέρη με υψηλές συγκεντρώσεις των εύφλεκτων αερίων ή ατμών αερίου.
- Φροντίστε να χρησιμοποιείτε τα παρεχόμενα εξαρτήματα ή αυτά που ορίζονται αυστηρά για τη συγκεκριμένη εγκατάσταση. Η χρήση διαφορετικών εξαρτημάτων μπορεί να προκαλέσει χαλάρωση του εξοπλισμού, διαρροή νερού, ηλεκτροπληξία, πυρκαγιά ή ζημιά στον εξοπλισμό.
- Κατά την εγκατάσταση ή μετεγκατάσταση του συστήματος, δεν επιτρέπεται ο αέρας ή οποιοσδήποτε άλλες ουσίες, εκτός από το συγκεκριμένο ψυκτικό (R410A/R32), να εισχωρήσουν στο κύκλωμα ψύξης.
- Ποτέ μην τροποποιείτε τη μονάδα αφαιρώντας κάποιο από τα προστατευτικά περιβλήματα ή παρακάμπτοντας οποιαδήποτε από τις διατάξεις αλληλασφάλισης.
- Οι ηλεκτρολογικές εργασίες πρέπει να εκτελούνται σύμφωνα με το εγχειρίδιο εγκατάστασης και τους εθνικούς, πολιτειακούς και τοπικούς κώδικες ηλεκτρικής καλωδίωσης.
- Φροντίστε να χρησιμοποιείτε αποκλειστικό κύκλωμα τροφοδοσίας. Το κλιματιστικό δεν πρέπει ποτέ να μοιράζεται την ίδια πρίζα με άλλη συσκευή.

1. ΠΡΟΕΤΟΙΜΑΣΙΑ ΓΙΑ ΕΓΚΑΤΑΣΤΑΣΗ

ΠΡΟΕΙΔΟΠΟΙΗΣΗ

- Για να αποφύγετε τυχόν κίνδυνο λόγω ακούσιας επαναφοράς του θερμικού διακόπτη, η συσκευή αυτή δεν πρέπει να τροφοδοτείται μέσω εξωτερικής συσκευής μεταγωγής, όπως ένας χρονοδιακόπτης, ή να συνδέεται με κύκλωμα που ενεργοποιείται και απενεργοποιείται τακτικά από τη βοηθητική διάταξη.
- Χρησιμοποιείτε τα προβλεπόμενα καλώδια για την ηλεκτρική σύνδεση με μόνωση που προστατεύεται από μονωτικό περίβλημα με κατάλληλη διαβάθμιση θερμοκρασίας.
Η χρήση ακατάλληλων καλωδίων μπορεί να προκαλέσει διαρροή ηλεκτρικού ρεύματος, μη ομαλή παραγωγή θερμότητας ή πυρκαγιά.
ΣΗΜΕΙΩΣΗ: Οι παρακάτω πληροφορίες απαιτούνται για τις μονάδες που χρησιμοποιούν ψυκτικό μέσο R32/R290.
- Η συσκευή πρέπει να φυλάσσεται σε χώρο χωρίς πηγές ανάφλεξης συνεχούς λειτουργίας (π.χ. γυμνές φλόγες, συσκευή αερίου ή ηλεκτρικό θερμαντικό σώμα σε διαρκή λειτουργία).
- Δεν πρέπει να τρυπήσετε ούτε να κάψετε τη συσκευή.
- Θα πρέπει να έχετε υπόψη σας ότι τα ψυκτικά μέσα ενδέχεται να είναι άοσμα.
- Επιβάλλεται η πιστή τήρηση της συμμόρφωσης προς τους εθνικούς κανονισμούς για τη χρήση αερίων.
- Η συσκευή πρέπει να φυλάσσεται σε καλά εξαεριζόμενο χώρο του οποίου το μέγεθος πρέπει να είναι αντίστοιχο με το καθορισμένο μέγεθος του χώρου λειτουργίας της.
- Η εγκατάσταση, η λειτουργία και η αποθήκευση της συσκευής πρέπει να γίνονται σε χώρο με εμβαδόν πάνω από $X \text{ m}^2$ ενώ οι σωληνώσεις πρέπει να καλύπτουν το πολύ $X \text{ m}^2$ (ανατρέξτε στον πίνακα που ακολουθεί).
- Η εγκατάσταση της συσκευής δεν πρέπει να γίνει σε μη εξαεριζόμενο χώρο με εμβαδόν κάτω από $X \text{ m}^2$ (ανατρέξτε στον πίνακα που ακολουθεί). Όσον αφορά τους χώρους στους οποίους γίνεται η εγκατάσταση των σωλήνων του ψυκτικού μέσου απαιτείται συμμόρφωση προς τους εθνικούς κανονισμούς για τη χρήση αερίων.

Μοντέλο (BTU/ώρα)	Ποσότητα φορτίου ψυκτικού (κιλά)	Ανώτατο ύψος εγκατάστασης (μέτρα)	Ελάχιστο εμβαδόν (m ²)
≤ 30.000	≤ 2,048	1,8 μέτρα	4
		0,6 μέτρα	35
30.000-48.000	2,048-3,0	1,8 μέτρα	8
		0,6 μέτρα	80
> 48.000	> 3,0	1,8 μέτρα	9
		0,6 μέτρα	80

Σημείωση για τα φθοριωμένα αέρια

- Η μονάδα κλιματισμού που αγοράσατε περιέχει φθοριωμένα αέρια. Για συγκεκριμένες πληροφορίες όσον αφορά τον τύπο και την ποσότητα του αερίου, ανατρέξτε στη σχετική πινακίδα που θα βρείτε στην ίδια τη μονάδα.
- Οι εργασίες εγκατάστασης, ελέγχου, συντήρησης και επισκευής της συγκεκριμένης μονάδας πρέπει να εκτελούνται από πιστοποιημένο τεχνικό.
- Οι εργασίες απεγκατάστασης και ανακύκλωσης πρέπει να εκτελούνται από πιστοποιημένο τεχνικό.
- Αν στη μονάδα υπάρχει εγκατεστημένο σύστημα ανίχνευσης διαρροών, πρέπει να ελέγχετε μήπως υπάρχουν διαρροές τουλάχιστον μία φορά κάθε 12 μήνες.
- Κατά την επιθεώρηση της μονάδας για διαρροές συνιστούμε ανεπιφύλακτα να κρατάτε αρχείο όλων των ελέγχων.

1. ΠΡΟΕΤΟΙΜΑΣΙΑ ΓΙΑ ΕΓΚΑΤΑΣΤΑΣΗ






ΠΡΟΣΟΧΗ

Αυτό το σύμβολο υποδεικνύει την πιθανότητα υλικών ζημιών ή σοβαρών συνεπειών.

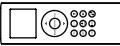



- Για την αποφυγή τραυματισμών, να είστε προσεκτικοί όταν πιάνετε εξαρτήματα με κοφτερές άκρες.
- Μην τοποθετείτε τις εσωτερικές ή τις εξωτερικές μονάδες σε θέσεις όπου επικρατούν ειδικές περιβαλλοντικές συνθήκες.
- Μην τοποθετείτε τη μονάδα σε χώρο που μπορεί να ενισχύσει το επίπεδο θορύβου της ή σε μέρος όπου ο θόρυβος και ο εξερχόμενος αέρας μπορεί να ενοχλούν τους γείτονες.
- Συνδέστε την αποστράγγιση/τις σωληνώσεις με ασφάλεια, σύμφωνα με το εγχειρίδιο εγκατάστασης. Τυχόν ακατάλληλη σύνδεση σωληνώσεων αποστράγγισης ενδέχεται να έχει ως αποτέλεσμα τη διαρροή νερού και την πρόκληση υλικών ζημιών.
- Μην εγκαθιστάτε το κλιματιστικό στα ακόλουθα σημεία.
 - Σε χώρους όπου υπάρχει ορυκτέλαιο ή αρσενικό οξύ.
 - Σε χώρους όπου είναι πιθανή η συσσώρευση ή συγκέντρωση διαβρωτικών αερίων (όπως αέριο θειώδες οξύ) ή εύφλεκτων αερίων (όπως διαλυτικό), ή όπου πραγματοποιείται χειρισμός πτητικών εύφλεκτων ουσιών.
 - Σε χώρους όπου υπάρχει εξοπλισμός που δημιουργεί ηλεκτρομαγνητικά πεδία ή αρμονικές υψηλής συχνότητας.

1.2 ΒΟΗΘΗΤΙΚΑ ΕΞΑΡΤΗΜΑΤΑ

Τα παρακάτω βοηθητικά εξαρτήματα παρέχονται μαζί με τη μονάδα. Ο τύπος και η ποσότητα ενδέχεται να διαφέρουν ανάλογα με τις προδιαγραφές.

Όνομα βοηθητικών εξαρτημάτων	Ποσότητα (τμχ.)	Σχήμα	Χρήση
Εγχειρίδιο	3		<Εγχειρίδιο εγκατάστασης>, <Εγχειρίδιο χρήστη>, <Εγχειρίδιο τηλεχειριστηρίου> (ή <Εγχειρίδιο ενσύρματου χειριστηρίου>)
Τσιμούχα	1		Στεγανοποίηση της εξόδου αποστράγγισης της εξωτερικής μονάδας.
Έξοδος αποστράγγισης	1		Σύνδεση του εύκαμπτου σωλήνα αποστράγγισης της εξωτερικής μονάδας.
Κολάρο καλωδίων	1		Για συμβατότητα με τα πρότυπα ΗΜΣ (χρησιμοποιείται για τα καλώδια σύνδεσης της εσωτερικής/ εξωτερικής μονάδας)
Άγκιστρο	2		Για την εγκατάσταση

Τα παρακάτω βοηθητικά εξαρτήματα σχετίζονται με το τηλεχειριστήριο.

Όνομα βοηθητικών εξαρτημάτων	Ποσότητα (τμχ.)	Σχήμα	Χρήση
Τηλεχειριστήριο	1		Για τον έλεγχο του κλιματιστικού από απόσταση
Βάση τηλεχειριστηρίου	1		Για τοποθέτηση του τηλεχειριστηρίου στον τοίχο
Λαμαρινόβιδα	2		Για τη στερέωση της βάσης του τηλεχειριστηρίου
Μπαταρία	2		Για το τηλεχειριστήριο

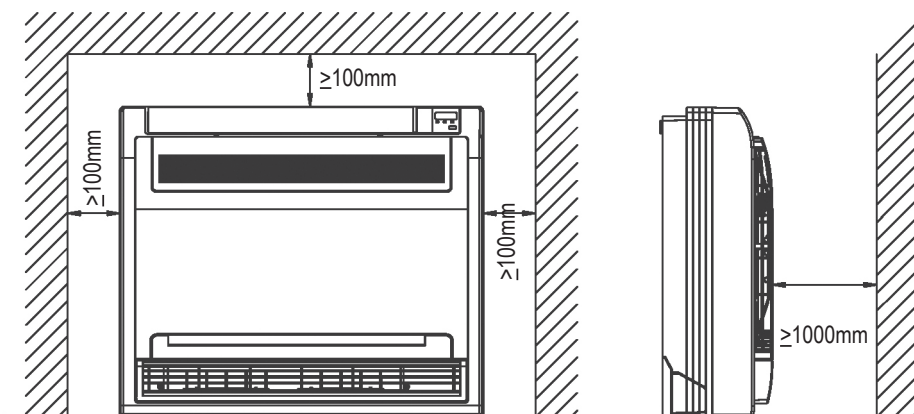
Σημείωση: Τα βοηθητικά εξαρτήματα που σχετίζονται με το τηλεχειριστήριο δεν διατίθενται για τα μοντέλα με ενσύρματο χειριστήριο. Για τα βοηθητικά εξαρτήματα του ενσύρματου χειριστηρίου, ανατρέξτε στο εγχειρίδιο που συνοδεύει το ενσύρματο χειριστήριο.

2. ΕΓΚΑΤΑΣΤΑΣΗ ΕΣΩΤΕΡΙΚΗΣ ΜΟΝΑΔΑΣ

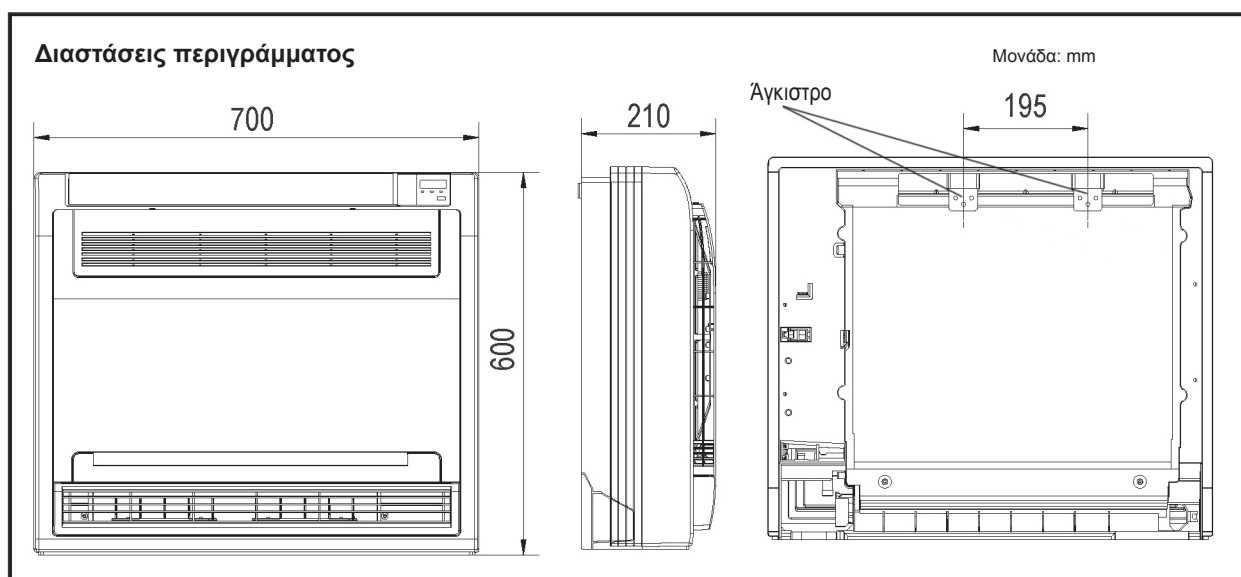
2.1 ΕΠΙΛΟΓΗ ΘΕΣΗΣ ΕΓΚΑΤΑΣΤΑΣΗΣ

ΕΣΩΤΕΡΙΚΗ ΜΟΝΑΔΑ

- Σε θέση που δεν δέχεται άμεσο ηλιακό φως.
- Σε θέση όπου είναι ελεύθερη η ροή του αέρα.
- Σε θέση όπου εξασφαλίζεται βέλτιστη κατανομή αέρα.
- Σε θέση όπου τα συμπτυκνώματα αποστραγγίζονται κατάλληλα και με ασφάλεια.
- Εγκαταστήστε την εσωτερική μονάδα σε έναν τοίχο/μια οροφή που αποτρέπει τους κραδασμούς και έχει επαρκή αντοχή για το βάρος του προϊόντος.
- Αφήστε επαρκή ελεύθερο χώρο γύρω από την εσωτερική μονάδα για τη συντήρηση και το σέρβις.
- Σε θέση όπου το φίλτρο αέρα μπορεί να αφαιρεθεί και να καθαριστεί εύκολα.
- Σε θέση όπου το μήκος των σωληνώσεων μεταξύ της εσωτερικής και της εξωτερικής μονάδας είναι εντός των επιτρεπόμενων ορίων.
- Εγκαταστήστε την εσωτερική μονάδα τουλάχιστον 1 m μακριά από τηλεοράσεις και ραδιόφωνα ώστε να μην δημιουργούνται παραμορφώσεις στην οθόνη ή θόρυβος.
- Εγκαταστήστε την εσωτερική μονάδα σε όσο το δυνατόν μεγαλύτερη απόσταση από φωτιστικά σώματα φθορισμού και πυράκτωσης ώστε να λειτουργεί σωστά το τηλεχειριστήριο.



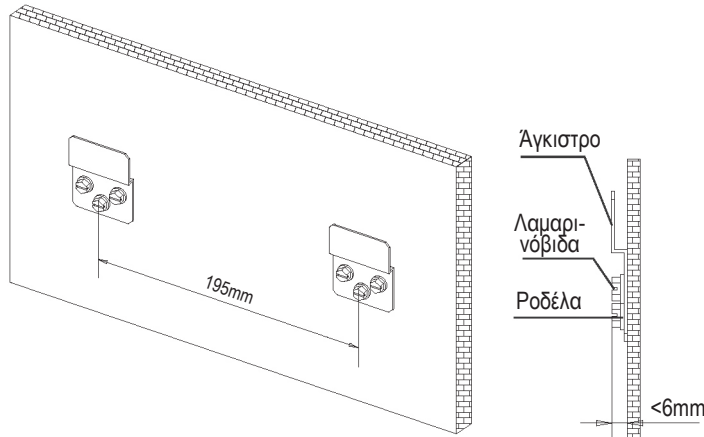
ΑΠΑΙΤΗΣΕΙΣ ΧΩΡΟΥ ΓΙΑ ΤΗΝ ΕΣΩΤΕΡΙΚΗ ΜΟΝΑΔΑ



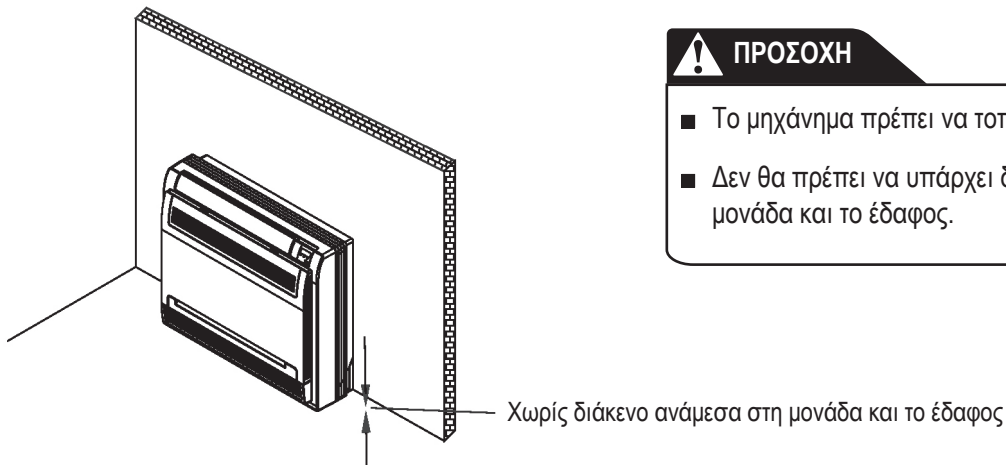
2. ΕΓΚΑΤΑΣΤΑΣΗ ΕΣΩΤΕΡΙΚΗΣ ΜΟΝΑΔΑΣ

2.2 ΕΓΚΑΤΑΣΤΑΣΗ ΤΗΣ ΕΣΩΤΕΡΙΚΗΣ ΜΟΝΑΔΑΣ

2.2.1 Στερεώστε το άγκιστρο ανάρτησης με τη λαμαρινόβιδα μέσα στον τοίχο.



2.2.1 Αναρτήστε την εσωτερική μονάδα στο άγκιστρο.



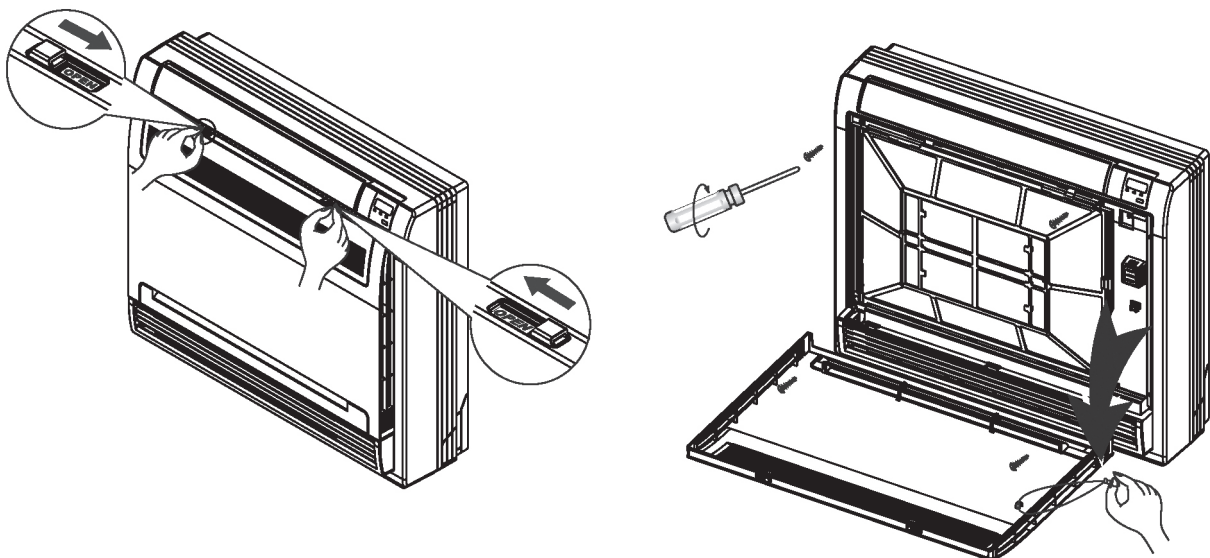
ΠΡΟΣΟΧΗ

- Το μηχάνημα πρέπει να τοποθετείται κατακόρυφα.
- Δεν θα πρέπει να υπάρχει διάκενο ανάμεσα στη μονάδα και το έδαφος.

2.3 ΤΡΟΠΟΣ ΣΥΝΔΕΣΗΣ ΣΩΛΗΝΩΝ ΚΑΙ ΚΑΛΩΔΙΩΝ

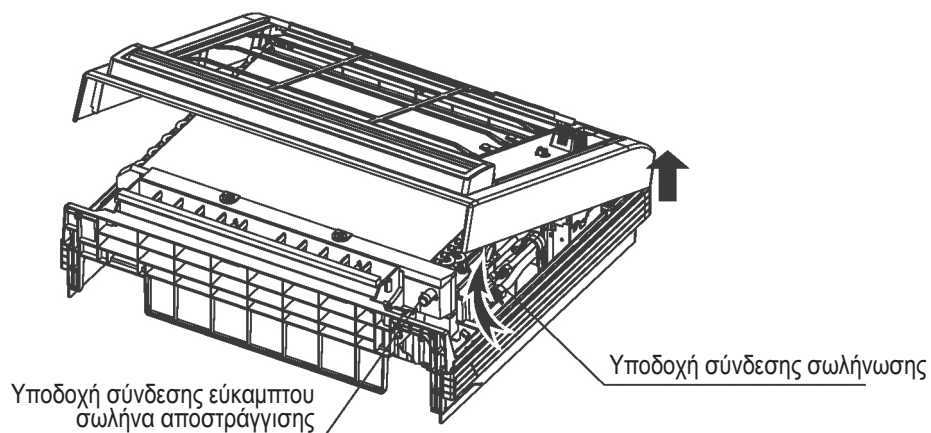
2.3.1 Πιέστε και τους δύο διακόπτες ταυτόχρονα και ανοίξτε το πάνελ.

2.3.2 Αφαιρέστε το κορδόνι και αφαιρέστε το πάνελ.

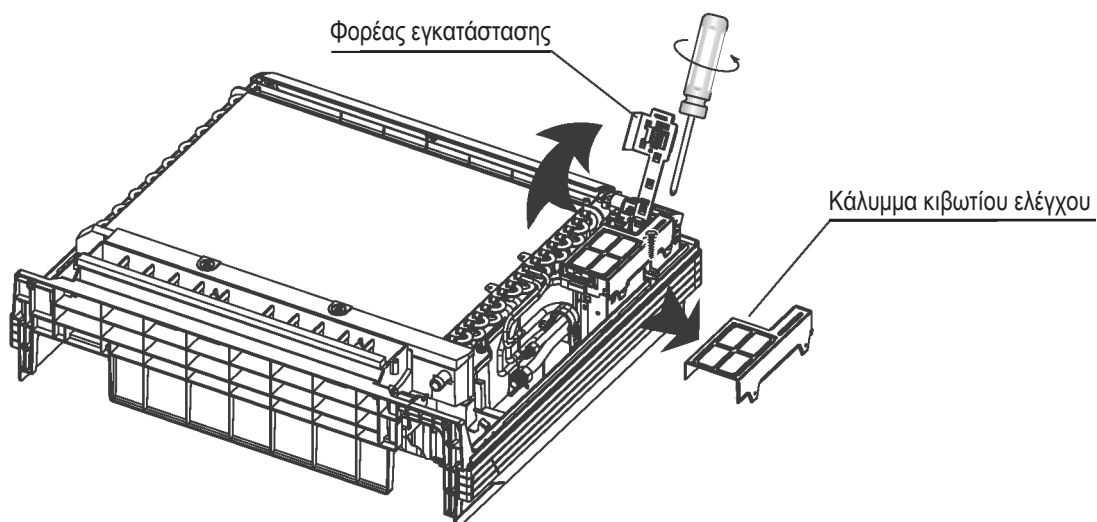


2. ΕΓΚΑΤΑΣΤΑΣΗ ΕΣΩΤΕΡΙΚΗΣ ΜΟΝΑΔΑΣ

2.3.3 Αφαιρέστε τις 4 βίδες και μετά αφαιρέστε το πλαίσιο από την κάτω πλευρά. Θα πρέπει να μπορείτε να δείτε την υποδοχή σύνδεσης σωληνώσεων και την υποδοχή σύνδεσης του εύκαμπτου σωλήνα αποστράγγισης.

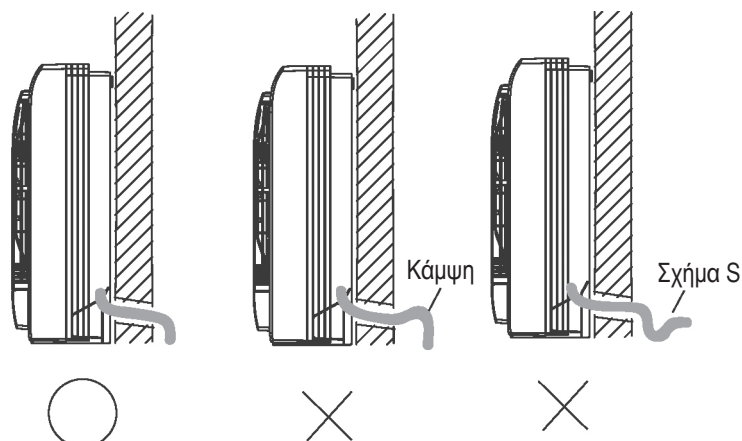


2.3.4 Αφαιρέστε τον φορέα εγκατάστασης και αφαιρέστε το κάλυμμα του κιβωτίου ελέγχου. Θα δείτε τον απολήκτη της καλωδίωσης.



2.4 ΕΓΚΑΤΑΣΤΑΣΗ ΤΟΥ ΣΩΛΗΝΑ ΑΠΟΣΤΡΑΓΓΙΣΗΣ

Η γραμμή αποστράγγισης δεν πρέπει να έχει κανένα σημείο κάμψης σε όλο το μήκος της, πρέπει να έχει καθοδική κλίση και πρέπει να είναι μονωμένη έως τον εξωτερικό τοίχο.

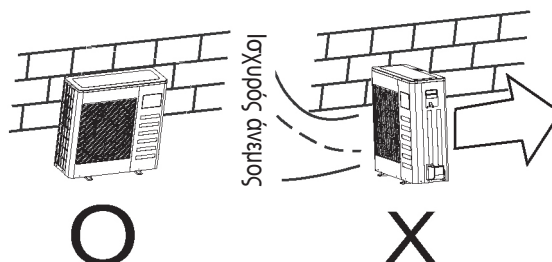


3. ΕΓΚΑΤΑΣΤΑΣΗ ΕΞΩΤΕΡΙΚΗΣ ΜΟΝΑΔΑΣ

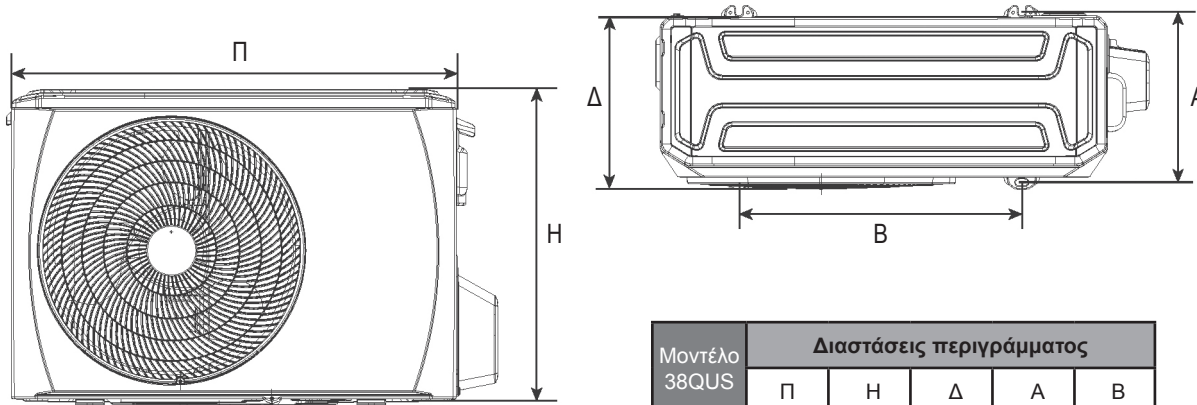
3.1 ΕΠΙΛΟΓΗ ΘΕΣΗΣ ΕΓΚΑΤΑΣΤΑΣΗΣ

ΕΞΩΤΕΡΙΚΗ ΜΟΝΑΔΑ

- Σε θέση που δεν βρέχεται και δεν δέχεται άμεσο ηλιακό φως.
- Σε θέση με καλό εξαερισμό και απαλλαγμένη από εμπόδια κοντά στην είσοδο και την έξοδο του αέρα.
- Σε θέση όπου δεν αυξάνεται ο θόρυβος ή οι κραδασμοί κατά τη λειτουργία της εξωτερικής μονάδας.
- Σε θέση όπου δεν προκαλείται πρόβλημα αποστράγγισης με το νερό που αποστραγγίζεται.
- Εγκαταστήστε σωστά την εξωτερική μονάδα σε μια θέση επαρκώς ανθεκτική για το βάρος της.
- Σε θέση όπου υπάρχουν κατάλληλες αποστάσεις σύμφωνα με τα προβλεπόμενα.
- Σε θέση όπου το μήκος των σωληνώσεων μεταξύ της εσωτερικής και της εξωτερικής μονάδας είναι εντός των επιτρεπόμενων ορίων.
- Σε περιοχές με χιονόπτωση και χαμηλές θερμοκρασίες, αποφύγετε την εγκατάσταση της εξωτερικής μονάδας σε μέρη όπου μπορεί να καλυφθεί από χιόνι. Σε περιοχές όπου αναμένονται βαριές χιονοπτώσεις, θα πρέπει να εγκαταστήσετε ένα μη παρεχόμενο κάλυμμα προστασίας από τον πάγο ή έναν μη παρεχόμενο ανεμοφράκτη, για την προστασία της μονάδας από τη συσσώρευση χιονιού και το φράξιμο της εισόδου αέρα.
- Όταν εγκαθιστάτε την εξωτερική μονάδα σε θέσεις που είναι συνεχώς εκτεθειμένες σε ισχυρούς ανέμους, συνιστάται να χρησιμοποιήσετε ανεμοφράκτη.



3.2 ΔΙΑΣΤΑΣΕΙΣ ΤΟΠΟΘΕΤΗΣΗΣ ΕΞΩΤΕΡΙΚΗΣ ΜΟΝΑΔΑΣ

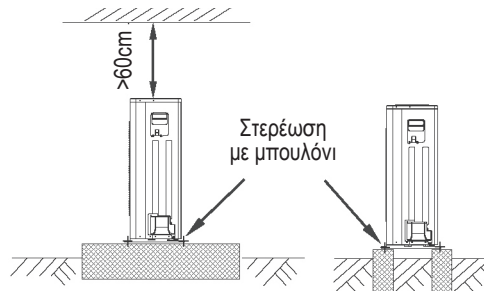
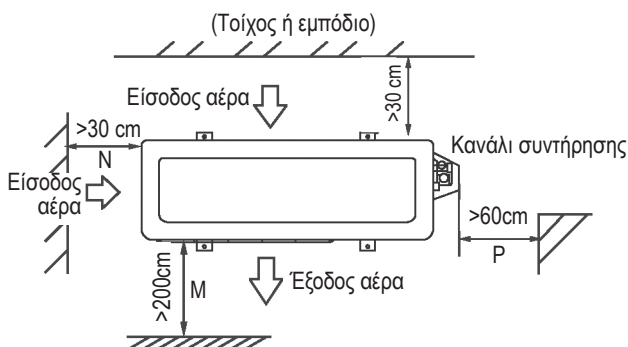


Μοντέλο 38QUS	Διαστάσεις περιγράμματος				
	Π	Η	Δ	Α	Β
009	770	555	300	298	487
012/018	800	554	333	340	514

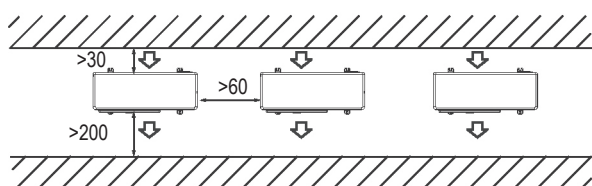
3. ΕΓΚΑΤΑΣΤΑΣΗ ΕΞΩΤΕΡΙΚΗΣ ΜΟΝΑΔΑΣ

3.3 ΑΠΑΙΤΗΣΕΙΣ ΧΩΡΟΥ ΓΙΑ ΤΗΝ ΕΞΩΤΕΡΙΚΗ ΜΟΝΑΔΑ

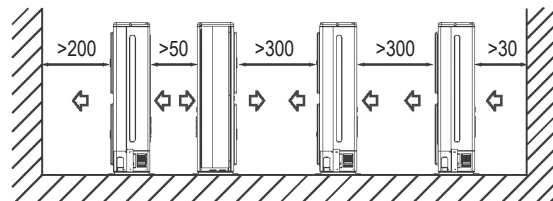
Εγκατάσταση μίας μονάδας



Παράλληλη σύνδεση των δύο μονάδων ή επάνω

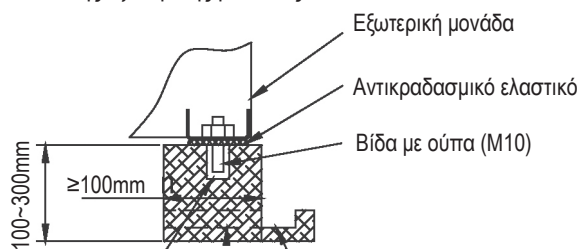


Παράλληλη σύνδεση εμπρός και πίσω μέρους.



3.4 ΕΓΚΑΤΑΣΤΑΣΗ ΤΗΣ ΕΞΩΤΕΡΙΚΗΣ ΜΟΝΑΔΑΣ

- Πριν από την εγκατάσταση, ελέγξτε την αντοχή και την οριζόντια ευθυγράμμιση της βάσης ώστε να μην παράγονται μη φυσιολογικοί ήχοι.
- Στερεώστε τη βάση σταθερά με βουλόνια αγκύρωσης (M10) για να αποτρέψετε την κατάρρευσή της.
- Εγκαταστήστε τα αντικραδασμικά ελαστικά θεμελίωσης για απευθείας υποστήριξη της κάτω επιφάνειας του σκέλους στερέωσης που έρχεται σε επαφή με την κάτω πλάκα της εξωτερικής μονάδας.

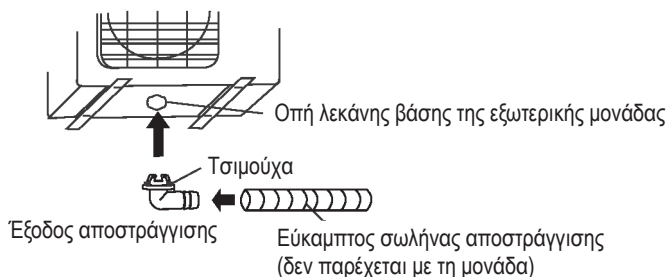


Οπή στα οικοδομικά υλικά (Ø100mm x Βάθος 150mm)

Αποστράγγιση (Πλάτος 100mm x Βάθος 150mm)

3.5 ΕΓΚΑΤΑΣΤΑΣΗ ΤΟΥ ΣΩΛΗΝΑ ΑΠΟΣΤΡΑΓΓΙΣΗΣ ΓΙΑ ΤΗΝ ΕΞΩΤΕΡΙΚΗ ΜΟΝΑΔΑ

- Συνδέστε την έξοδο αποστράγγισης με μια προέκταση σωλήνα αποστράγγισης.
- Προσαρμόστε την τσιμούχα στην έξοδο αποστράγγισης.
- Εισαγάγετε την έξοδο αποστράγγισης μέσα στην οπή της λεκάνης βάσης της εξωτερικής μονάδας και περιστρέψτε κατά 90 μοίρες για να ασφαλίσει στη θέση τους.



4. ΣΥΝΔΕΣΗ ΣΩΛΗΝΩΣΕΩΝ ΨΥΚΤΙΚΟΥ

ΠΡΟΣΟΧΗ

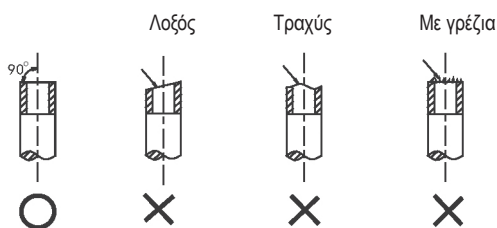
- Ελέγξτε αν η διαφορά ύψους μεταξύ της εσωτερικής και της εξωτερικής μονάδας και το συνολικό μήκος του σωλήνα ψυκτικού πληρούν τις απαιτήσεις του συστήματος.
- Οι εργασίες σωληνώσεων ψυκτικού πραγματοποιούνται μετά από την εγκατάσταση της εσωτερικής και της εξωτερικής μονάδας. Συνδέστε πρώτα τον σωλήνα στην εσωτερική πλευρά και στη συνέχεια στην εξωτερική πλευρά.
- Διατηρείτε πάντα τα άκρα του σωλήνα σφραγισμένα με πώμα ή ταινία κατά τη διάρκεια της εγκατάστασης και ΜΗΝ τα αφαιρείτε παρά μόνο όταν είστε έτοιμοι να συνδέσετε τις σωληνώσεις.
- Βεβαιωθείτε ότι μονώνετε όλες τις σωληνώσεις σε όλη τη διαδρομή σύνδεσής τους μέσα στη μονάδα. Τυχόν εκτεθειμένοι σωλήνες ενδέχεται να προκαλέσουν συμπτκνώματα ή εγκαύματα κατά το άγγιγμα.

4.1 ΕΚΧΕΙΛΩΣΗ

ΣΗΜΕΙΩΣΗ

- Τα εργαλεία που απαιτούνται για την εκχείλωση είναι κοπήρας σωλήνων, γλείφανο, εργαλείο εκχείλωσης και μέγγενη.
- Στα μοντέλα με ψυκτικό μέσο R32 τα σημεία σύνδεσης των σωλήνων πρέπει να βρίσκονται έξω από τον χώρο.

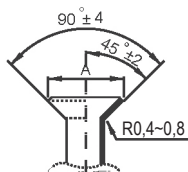
4.1.1 Χρησιμοποιήστε κοπήρα σωλήνων για να κόψετε τον σωλήνα στο απαιτούμενο μήκος. Βεβαιωθείτε ότι η ακμή κοπής παραμένει σε γωνία 90° με την πλευρά του σωλήνα.



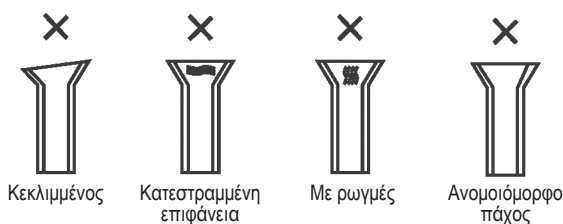
4.1.2 Χρησιμοποιήστε ένα εργαλείο εκχείλωσης για να απομακρύνετε τα γρέζια, με την επιφάνεια κοπής προς τα κάτω για να μην εισέλθουν τα γρέζια στο σωλήνα.

4.1.3 Κάντε τις εργασίες εκχείλωσης με τα εργαλεία εκχείλωσης όπως παρακάτω.

Εξωτερική διάμετρος	A(mm)	
	Μέγ.	Ελάχ.
Ø6,35mm	8,7	8,3
Ø9,52mm	12,4	12,0
Ø12,7mm	15,8	15,4
Ø15,88mm	19,0	18,6
Ø19,05mm	23,3	22,9

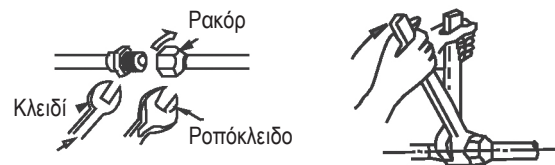


4.1.4 Ελέγξτε αν έχει γίνει σωστά η εκχείλωση. Δείτε παραδείγματα εσφαλμένης εκχείλωσης σωλήνων παρακάτω.



4.2 ΣΥΝΔΕΣΗ ΣΩΛΗΝΩΣΕΩΝ

4.2.1 Ευθυγραμμίστε τα κέντρα των σωλήνων για να σφίξετε το ρακόρ και ολοκληρώστε τη σύνδεση χρησιμοποιώντας δύο κλειδιά.



Μέγεθος σωλήνα	Ροπή
Ø6,35mm	18 ~ 20 N.m
Ø9,52mm	25 ~ 26 N.m
Ø12,7mm	35 ~ 36 N.m
Ø15,88mm	45 ~ 47 N.m
Ø19,05mm	65 ~ 67 N.m

4.2.2 Επιλέξτε το κατάλληλο μονωτικό υλικό για τον σωλήνα ψυκτικού. (Ελάχ. 10 mm, θερμομονωτικός αφρός C)

- Χρησιμοποιήστε ξεχωριστούς θερμομονωτικούς σωλήνες για τους σωλήνες αερίου και υγρού.
- Το παραπάνω πάχος είναι τυπικό για θερμοκρασία εσωτερικού χώρου 27°C και υγρασία 80%. Εάν η εγκατάσταση γίνεται σε όχι ιδιαίτερα κατάλληλες συνθήκες, όπως κοντά σε μπάνια, κουζίνες και άλλες παρόμοιες θέσεις, ενισχύστε τη μόνωση.
- Η θερμοκρασία αντοχής στη θερμότητα της μόνωσης θα πρέπει να είναι μεγαλύτερη από 120°C.
- Χρησιμοποιήστε την κολλητική ουσία στο συνδετικό μέρος της μόνωσης για να αποτρέψετε την εισχώρηση υγρασίας.
- Επιδιορθώστε και καλύψτε τυχόν ρωγμές στη μόνωση και ελέγξτε κυρίως το τμήμα κάμψης και τον αναρτήρα του σωλήνα.

ΠΡΟΣΟΧΗ

- Εάν χρειάζεται συγκόλληση, χρησιμοποιήστε αέριο άζωτο.
- Η εσφαλμένη ροπή θα προκαλέσει ζημιά στο χείλος ή διαρροές αερίου.

4. ΣΥΝΔΕΣΗ ΣΩΛΗΝΩΣΕΩΝ ΨΥΚΤΙΚΟΥ

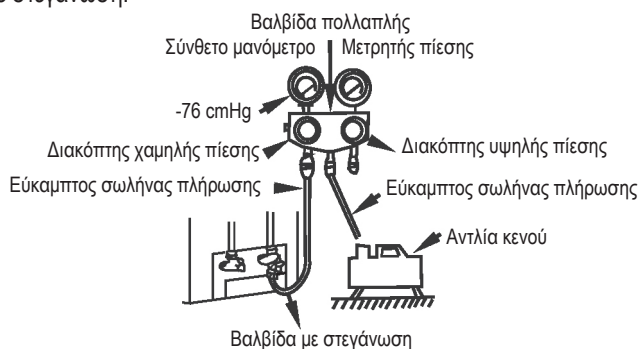
4.3 ΣΩΛΗΝΑΣ ΨΥΚΤΙΚΟΥ

Μοντέλο (38QUS)	Πλευρά υγρού	Πλευρά αερίου	Επιτρεπόμενο μήκος σωλήνα (m)	Μέγ. διαφορά ύψους (m)	Μήκος προ-πλήρωσης (m)	Πρόσθετη πλήρωση ανά μέτρο (R410A/R32)
009/012	Ø6,35mm	Ø9,52mm	25	10	5	15/12 g/m
018	Ø6,35mm	Ø12,7mm	30	20	5	15/12 g/m

ΣΗΜΕΙΩΣΗ: 1) Χρησιμοποιήστε τα εργαλεία που ενδείκνυνται για σύστημα με ψυκτικό μέσο R410A/R32 αντίστοιχα.
 2) Όταν το μήκος του σωλήνα είναι μεγαλύτερο από 5m, θα πρέπει να προστεθεί επιπλέον ψυκτικό σύμφωνα με το μήκος του σωλήνα.

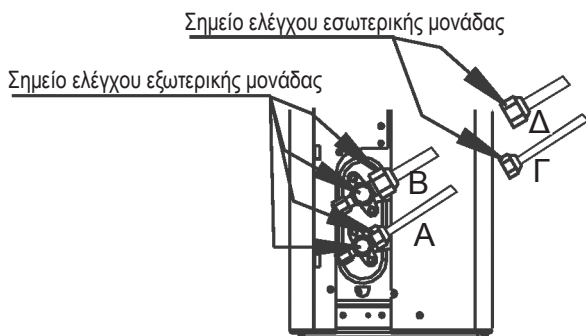
4.4 ΕΚΚΕΝΩΣΗ ΑΕΡΑ

- Συνδέστε τον εύκαμπο σωλήνα πλήρωσης από το μετρητή πολλαπλής έως την υποδοχή πλήρωσης της βαλβίδας της γραμμής αερίου με στεγάνωση.
- Συνδέστε τον εύκαμπο σωλήνα πλήρωσης στην υποδοχή της αντλίας κενού.
- Ανοίξτε τελείως το διακόπτη χαμηλής πίεσης του μετρητή πολλαπλής.
- Θέστε σε λειτουργία την αντλία κενού για να εκκενωθεί ο αέρας από το σύστημα έως τα 76 cmHg.
- Κλείστε το διακόπτη χαμηλής πίεσης του μετρητή πολλαπλής.
- Ανοίξτε τελείως το στέλεχος βαλβίδας των βαλβίδων με στεγάνωση.
- Αφαιρέστε τον εύκαμπο σωλήνα πλήρωσης από την υποδοχή πλήρωσης.
- Σφίξτε σταθερά τα καπάκια των βαλβίδων με στεγάνωση.



4.5 ΔΟΚΙΜΗ ΔΙΑΡΡΟΩΝ

Μόλις ολοκληρωθούν οι εργασίες σύνδεσης των σωληνώσεων, μην παραλείψετε να ελέγξετε τα συνδετικά μέρη όλων των σωλήνων ψυκτικού και να βεβαιωθείτε ότι δεν υπάρχει διαρροή αερίου, με την εφαρμογή σαπουνάδας στους σωλήνες ή με τη χρήση ανιχνευτή διαρροών ειδικού για ψυκτικά HFC. Για μια απεικόνιση, ανατρέξτε στην παρακάτω εικόνα.



- A: Βαλβίδα απομόνωσης χαμηλής πίεσης
- B: Βαλβίδα απομόνωσης υψηλής πίεσης
- Γ & Δ: Ρακόρ εσωτερικής μονάδας

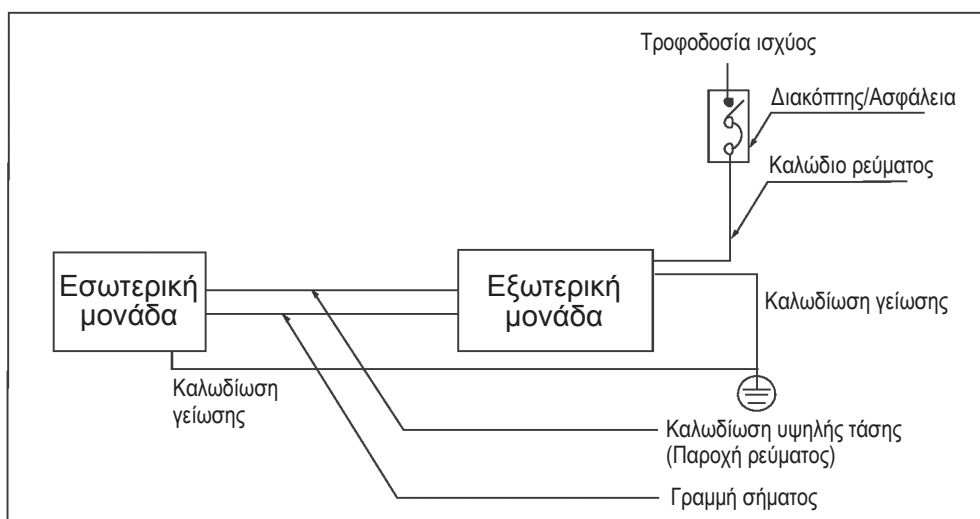
5. ΚΑΛΩΔΙΩΣΗ

ΠΡΟΣΟΧΗ

- Όλες οι ηλεκτρολογικές συνδέσεις πρέπει να διεξάγονται από εξειδικευμένους τεχνικούς εγκατάστασης και όλες οι καλωδιώσεις πρέπει να συνδέονται σύμφωνα με το διάγραμμα καλωδιώσεων.
- Συνδέστε πρώτα τη γείωση, πριν από οποιαδήποτε άλλη ηλεκτρολογική σύνδεση.
- Όλες οι παροχές ρεύματος πρέπει να είναι απενεργοποιημένες προτού ξεκινήσει οποιαδήποτε εργασία καλωδίωσης. Μην ενεργοποιήσετε την παροχή ρεύματος παρά μόνο όταν έχετε επιβεβαιώσει ότι όλες οι καλωδιώσεις έχουν ελεγχθεί όσον αφορά την ασφάλεια.
- Πρέπει να τοποθετείται κεντρικός διακόπτης και ασφαλειοδιακόπτης ή ασφάλεια, με δυναμικότητα τουλάχιστον 1,5 φορά μεγαλύτερη από το μέγιστο ρεύμα του κυκλώματος.
- Πρέπει επίσης να χρησιμοποιείται αποκλειστικό κύκλωμα διακλάδωσης και να υπάρχει αποκλειστική πρίζα για το συγκεκριμένο κλιματιστικό.
- Η διατομή του καλωδίου εξαρτάται από το ονομαστικό ρεύμα και από τους εθνικούς, περιφερειακούς και τοπικούς κανονισμούς ηλεκτρικής καλωδίωσης. Συμβουλευτείτε τους τοπικούς κανονισμούς για τα κτίρια καθώς και τον Εθνικό Ηλεκτρολογικό Κανονισμό για τυχόν ειδικές απαιτήσεις.
- Εάν το καλώδιο τροφοδοσίας έχει υποστεί ζημιά, πρέπει να αντικατασταθεί από τον κατασκευαστή, τον αντιπρόσωπο σέρβις ή κάποιον ειδικό, προκειμένου να αποφευχθεί τυχόν κίνδυνος.
- Η μονάδα πρέπει να συνδεθεί στο κύριο δίκτυο τροφοδοσίας μέσω ενός ασφαλειοδιακόπτη ή διακόπτη με ελάχιστο διάκενο επαφής 3 mm σε όλους τους πόλους. Συνιστάται η εγκατάσταση μιας διάταξης προστασίας ρεύματος διαρροής (RCD) με ονομαστική ισχύ όχι μεγαλύτερη από 30 mA.

5.1 ΙΣΧΥΣ ΑΠΟ ΤΗΝ ΕΞΩΤΕΡΙΚΗ ΠΛΕΥΡΑ

- Εικόνα καλωδίωσης



- Προδιαγραφές παροχής ρεύματος και καλωδίων σύνδεσης

Μοντέλο (BTU/ώρα)		9.000	12.000	18.000
Ηλεκτρική τροφοδοσία	Φάση	Μονοφασικό	Μονοφασικό	Μονοφασικό
	Συχνότητα και τάση σε βολτ	220-240 V ~ 50 Hz	220-240 V ~ 50 Hz	220-240 V ~ 50 Hz
Ονομαστικό ρεύμα		10 A	10 A	11 A
Διαβάθμιση ασφαλειών (τοπική παροχή ισχύος)		20 A	20 A	20 A
Καλώδιο τροφοδοσίας (τοπική παροχή ισχύος)		H07RN-F, 3×2,5 mm ²	H07RN-F, 3×2,5 mm ²	H07RN-F, 3×2,5 mm ²
Καλωδίωση σύνδεσης εσωτερικής/εξωτερικής μονάδας (τοπική παροχή ισχύος)		H07RN-F, 4×1,5 mm ²	H07RN-F, 4×1,5 mm ²	H07RN-F, 4×2,5 mm ²

ΣΗΜΕΙΩΣΗ ΓΙΑ ΤΙΣ ΠΡΟΔΙΑΓΡΑΦΕΣ ΤΩΝ ΑΣΦΑΛΕΙΩΝ:

(Ισχύει μόνο για μονάδες που χρησιμοποιούν ψυκτικό μέσο R32 και των οποίων η ασφάλεια είναι κεραμική.)

1. Σύμφωνα με τις προδιαγραφές η ασφάλεια της εξωτερικής μονάδας πρέπει να είναι T20A/250 V AC (για μονάδα < 24.000 BTU/ώρα) και T30A/250 V AC (για μονάδα > 24.000 BTU/ώρα).
2. Σύμφωνα με τις προδιαγραφές η ασφάλεια της εσωτερικής μονάδας πρέπει να είναι T5A/250 V AC και T10A/250 V AC.

6. ΤΕΛΙΚΟΣ ΕΛΕΓΧΟΣ ΚΑΙ ΔΟΚΙΜΑΣΤΙΚΗ ΛΕΙΤΟΥΡΓΙΑ

6.1 ΤΕΛΙΚΗ ΛΙΣΤΑ ΕΛΕΓΧΟΥ

Για να ολοκληρώσετε την εγκατάσταση, πραγματοποιήστε τους ακόλουθους ελέγχους πριν από τη δοκιμαστική λειτουργία.

- Αντοχή της θέσης εγκατάστασης τόσο στην εσωτερική όσο και στην εξωτερική πλευρά, επιβεβαίωση ότι δεν υπάρχουν εμπόδια στη έξοδο ή την επιστροφή αέρα της ομάδας.
- Σφίξιμο της σύνδεσης του σωλήνα ψυκτικού και επιβεβαίωση ότι δεν υπάρχει διαρροή.
- Οι συνδέσεις των ηλεκτρολογικών καλωδιώσεων έχουν πραγματοποιηθεί σωστά και η μονάδα έχει συνδεθεί στη γείωση.
- Ελέγξτε το συνολικό μήκος των σωληνώσεων και καταγράψτε την πρόσθετη ποσότητα ψυκτικού που έχει συμπληρωθεί.
- Η παροχή ρεύματος ταιριάζει με την ονομαστική τάση του κλιματιστικού.
- Μόνωση του σωλήνα.
- Αποστράγγιση.

6.2 ΧΕΙΡΟΚΙΝΗΤΗ ΛΕΙΤΟΥΡΓΙΑ

Η χειροκίνητη λειτουργία ενεργοποιείται με το πάτημα του κουμπιού χειροκίνητης λειτουργίας στην οθόνη ενδείξεων.

Πατήστε το κουμπί χειροκίνητης λειτουργίας επανειλημμένα για να αλλάξετε τρόπους λειτουργίας ως εξής:

- Μία φορά = Λειτουργία AUTO [heat (θέρμανση), cool (ψύξη) ή fan (ανεμιστήρας) στους 24°C και αυτόματη ταχύτητα ανεμιστήρα].
- Δύο φορές = Λειτουργία COOLING (Ψύξη) [εναλλαγή σε λειτουργία AUTO (Αυτόματη) μετά από 30 λεπτά (χρησιμοποιείται κυρίως για δοκιμαστική λειτουργία)]
- Τρεις φορές = OFF (ΕΚΤΟΣ ΛΕΙΤΟΥΡΓΙΑΣ)

6.3 ΔΟΚΙΜΑΣΤΙΚΗ ΛΕΙΤΟΥΡΓΙΑ

Θέστε το κλιματιστικό σε λειτουργία COOLING (Ψύξη) με το τηλεχειριστήριο (ή το κουμπί χειροκίνητης λειτουργίας) και ελέγξτε την κατάσταση λειτουργίας τόσο της εσωτερικής όσο και της εξωτερικής μονάδας. Σε περίπτωση οποιασδήποτε δυσλειτουργίας, διορθώστε το πρόβλημα σύμφωνα με τις οδηγίες του κεφαλαίου "Αντιμετώπιση προβλημάτων" στο "Εγχειρίδιο συντήρησης".

Εσωτερική μονάδα

- Ελέγξτε αν τα κουμπιά (όπως ON/OFF, MODE, TEMPERATURE, FAN SPEED κ.λπ.) στο τηλεχειριστήριο λειτουργούν σωστά.
- Ελέγξτε αν η περσίδα κινείται κανονικά.
- Ελέγξτε αν η θερμοκρασία του δωματίου ρυθμίζεται σωστά.
- Ελέγξτε αν οι ενδεικτικές λυχνίες στην οθόνη ενδείξεων είναι φυσιολογικές.
- Ελέγξτε αν το κουμπί χειροκίνητης λειτουργίας λειτουργεί σωστά.
- Ελέγξτε αν η αποστράγγιση γίνεται κανονικά.
- Ελέγξτε αν υπάρχουν κραδασμοί ή ασυνήθιστοι θόρυβοι κατά τη διάρκεια της λειτουργίας.
- Ελέγξτε αν η εσωτερική μονάδα λειτουργεί σωστά στον τρόπο λειτουργίας COOLING (Ψύξη) ή HEATING (Θέρμανση).

Εξωτερική μονάδα

- Ελέγξτε αν υπάρχουν κραδασμοί ή ασυνήθιστοι θόρυβοι κατά τη διάρκεια της λειτουργίας.
- Ελέγξτε αν ο παραγόμενος αέρας, ο θόρυβος ή τα συμπυκνώματα από το κλιματιστικό ενοχλούν τους γείτονές σας.
- Ελέγξτε αν υπάρχει διαρροή ψυκτικού.



ΠΡΟΣΟΧΗ

- Όταν επανεκκινείτε τη μονάδα, η λειτουργία θα καθυστερεί για περίπου 3 λεπτά για την προστασία της μονάδας.

7. ΠΛΗΡΟΦΟΡΙΕΣ ΓΙΑ ΤΟ ΣΕΡΒΙΣ

7.1 ΕΛΕΓΧΟΙ ΤΟΥ ΧΩΡΟΥ

Πριν ξεκινήσετε τις εργασίες σε συστήματα που περιέχουν εύφλεκτα ψυκτικά μέσα, είναι απαραίτητη η διεξαγωγή ελέγχων ασφαλείας που εξασφαλίζουν ότι ελαχιστοποιείται ο κίνδυνος ανάφλεξης. Όσον αφορά τις επισκευές στο σύστημα ψυκτικού μέσου, πρέπει να λαμβάνονται οι ακόλουθες προφυλάξεις πριν από την εκτέλεση εργασιών στο σύστημα.

7.2 ΔΙΑΔΙΚΑΣΙΑ ΕΡΓΑΣΙΩΝ

Οι εργασίες θα πρέπει να εκτελούνται με βάση μια ελεγχόμενη διαδικασία ώστε να ελαχιστοποιείται ο κίνδυνος από την ύπαρξη εύφλεκτων αερίων ή ατμών κατά την εκτέλεση των εργασιών.

7.3 ΧΩΡΟΣ ΓΕΝΙΚΩΝ ΕΡΓΑΣΙΩΝ

Όλα τα μέλη του προσωπικού συντήρησης και οποιοδήποτε άλλο άτομο που εργάζεται στον χώρο θα πρέπει να έχουν λάβει οδηγίες σχετικά με το είδος των εργασιών που εκτελούνται. Θα πρέπει να αποφεύγεται η εργασία σε κλειστούς χώρους. Η περιοχή γύρω από τον χώρο εργασίας θα πρέπει να απομονώνεται. Βεβαιωθείτε ότι οι συνθήκες μέσα στον χώρο είναι ασφαλείς μέσω ελέγχου των εύφλεκτων υλικών.

7.4 ΕΛΕΓΧΟΣ ΓΙΑ ΤΗΝ ΠΑΡΟΥΣΙΑ ΨΥΚΤΙΚΟΥ ΜΕΣΟΥ

Ο χώρος θα πρέπει να ελέγχεται με έναν κατάλληλο ανιχνευτή ψυκτικού μέσου πριν από την έναρξη των εργασιών και κατά τη διάρκειά τους, προκειμένου να εξασφαλίζεται ότι ο τεχνικός έχει επίγνωση για δυνητικές εύφλεκτες ατμόσφαιρες. Βεβαιωθείτε ότι ο εξοπλισμός ανίχνευσης διαρροών που χρησιμοποιείται είναι κατάλληλος για χρήση με εύφλεκτα ψυκτικά μέσα, π.χ. δεν υπάρχουν σπινθήρες, είναι επαρκώς στεγανοποιημένος ή εγγενώς ασφαλής.

7.5 ΥΠΑΡΞΗ ΠΥΡΟΣΒΕΣΤΗΡΑ

Εάν πρέπει να διεξαχθεί οποιαδήποτε εργασία εν θερμώ στον εξοπλισμό ψύξης ή σε οποιοδήποτε σχετικό μέρος, θα πρέπει να υπάρχει άμεσα διαθέσιμος πυροσβεστήρας. Πρέπει να υπάρχει πυροσβεστήρας ξηράς κόνεως ή CO₂ δίπλα στην περιοχή πλήρωσης.

7.6 ΔΕΝ ΠΡΕΠΕΙ ΝΑ ΥΠΑΡΧΟΥΝ ΠΗΓΕΣ ΑΝΑΦΛΕΞΗΣ

Κάθε άτομο που εκτελεί οποιαδήποτε εργασία σε ένα σύστημα ψύξης, η οποία περιλαμβάνει την έκθεση οποιοδήποτε σωλήνα που περιέχει ή περιείχε εύφλεκτο ψυκτικό μέσο, δεν θα πρέπει να χρησιμοποιεί οποιαδήποτε πηγή ανάφλεξης με τέτοιο τρόπο ώστε να υπάρχει κίνδυνος φωτιάς ή ανάφλεξης. Όλες οι δυνητικές πηγές ανάφλεξης, συμπεριλαμβανομένου του καπνίσματος, θα πρέπει να διατηρούνται σε αρκετή απόσταση από την τοποθεσία εγκατάστασης, επισκευής, αφαίρεσης και απόρριψης, κατά τη διάρκεια των οποίων ενδέχεται να απελευθερωθεί εύφλεκτο ψυκτικό μέσο στον περιβάλλοντα χώρο. Πριν από την έναρξη των εργασιών, ο χώρος γύρω από τον εξοπλισμό θα πρέπει να επιθεωρείται, ώστε να εξασφαλίζεται ότι δεν υπάρχουν κίνδυνοι από εύφλεκτα υλικά ή από ανάφλεξη. Θα πρέπει να αναρτηθούν πινακίδες "ΑΠΑΓΟΡΕΥΕΤΑΙ ΤΟ ΚΑΠΝΙΣΜΑ".

7.7 ΕΞΑΕΡΙΖΟΜΕΝΟΣ ΧΩΡΟΣ

Βεβαιωθείτε ότι ο χώρος είναι ανοιχτός ή ότι εξαερίζεται επαρκώς πριν από την επέμβαση στο σύστημα ή την εκτέλεση οποιωνδήποτε εργασιών εν θερμώ. Θα πρέπει να υπάρχει εξαερισμός και κατά τη διάρκεια εκτέλεσης των εργασιών. Ο εξαερισμός θα πρέπει να διαχέει με ασφαλή τρόπο τυχόν διαφεύγον ψυκτικό μέσο και κατά προτίμηση θα πρέπει να το εκκενώνει στην εξωτερική ατμόσφαιρα.

7.8 ΕΛΕΓΧΟΙ ΣΤΟΝ ΕΞΟΠΛΙΣΜΟ ΨΥΞΗΣ

Όταν γίνεται αλλαγή ηλεκτρικών εξαρτημάτων, θα πρέπει να είναι κατάλληλα για τον σκοπό για τον οποίο προορίζονται και να έχουν τις σωστές προδιαγραφές. Θα πρέπει να τηρούνται πάντα οι οδηγίες συντήρησης και σέρβις του κατασκευαστή. Εάν έχετε αμφιβολίες, ζητήστε τη βοήθεια του τεχνικού τμήματος του κατασκευαστή. Στις εγκαταστάσεις όπου χρησιμοποιούνται εύφλεκτα υλικά, θα πρέπει να πραγματοποιούνται οι ακόλουθοι έλεγχοι:

7. ΠΛΗΡΟΦΟΡΙΕΣ ΓΙΑ ΤΟ ΣΕΡΒΙΣ

- Ο χώρος όπου γίνεται η πλήρωση είναι ανάλογος με το μέγεθος του δωματίου όπου τοποθετούνται τα μέρη που περιέχουν ψυκτικό μέσο.
- Τα μηχανήματα και οι έξοδοι εξαερισμού λειτουργούν επαρκώς και δεν παρεμποδίζονται.
- Εάν χρησιμοποιείται κάποιο κύκλωμα έμμεσης ψύξης, τα δευτερεύοντα κυκλώματα θα πρέπει να ελέγχονται για την παρουσία ψυκτικού μέσου και η σήμανση του εξοπλισμού θα πρέπει να παραμένει ορατή και ευανάγνωστη.
- Οι σημάσεις και οι πινακίδες που δεν είναι ευανάγνωστες θα πρέπει να διορθώνονται.
- Ο σωλήνας και τα εξαρτήματα ψυκτικού μέσου πρέπει να τοποθετούνται σε τέτοια σημεία ώστε να μην υπάρχει η πιθανότητα να εκτεθούν σε οποιαδήποτε ουσία που μπορεί να διαβρώσει τα μέρη που περιέχουν ψυκτικό μέσο, εκτός εάν τα μέρη είναι κατασκευασμένα από υλικά που είναι εγγενώς ανθεκτικά στη διάβρωση ή προστατεύονται κατάλληλα από αυτήν.

7.9 ΕΛΕΓΧΟΙ ΣΤΙΣ ΗΛΕΚΤΡΙΚΕΣ ΔΙΑΤΑΞΕΙΣ

Η επισκευή και συντήρηση των ηλεκτρικών μερών θα πρέπει να περιλαμβάνει αρχικούς ελέγχους ασφαλείας και διαδικασίες επιθεώρησης των μερών. Εάν υπάρχει κάποια βλάβη που θα μπορούσε να υποβαθμίσει την ασφάλεια, δεν θα πρέπει να συνδεθεί καμία παροχή ρεύματος στο κύκλωμα εάν η βλάβη δεν διορθωθεί ικανοποιητικά. Εάν η βλάβη δεν μπορεί να διορθωθεί αμέσως, αλλά είναι απαραίτητο να συνεχιστεί η λειτουργία, θα πρέπει να χρησιμοποιηθεί μια προσωρινή επαρκής λύση. Αυτό θα πρέπει να αναφέρεται στον κάτοχο του εξοπλισμού, ώστε όλοι οι εμπλεκόμενοι να είναι ενημερωμένοι.

Οι αρχικοί έλεγχοι ασφαλείας πρέπει να περιλαμβάνουν τα εξής:

- Οι πυκνωτές πρέπει να αποφορτιστούν: αυτό πρέπει να γίνει με ασφαλή τρόπο ώστε να αποτραπεί η πιθανότητα σπινθήρων.
- Δεν πρέπει να υπάρχουν ενεργά ηλεκτρικά μέρη και καλωδιώσεις που να είναι εκτεθειμένα κατά τη διάρκεια της πλήρωσης, της ανάκτησης ή της εκκένωσης του συστήματος.
- Θα πρέπει να υπάρχει συνέχεια στις συνδέσεις.

7.10 ΕΠΙΣΚΕΥΕΣ ΣΕ ΣΤΕΓΑΝΟΠΟΙΗΜΕΝΑ ΜΕΡΗ

- 10.1 Κατά τη διάρκεια επισκευών σε στεγανοποιημένα μέρη, όλες οι ηλεκτρικές παροχές θα πρέπει να αποσυνδέονται από τον εξοπλισμό στον οποίο εκτελούνται οι εργασίες πριν από την αφαίρεση τυχόν στεγανοποιημένων καλυμμάτων, κ.λπ. Εάν απαιτείται οπωσδήποτε μια ηλεκτρική παροχή για τον εξοπλισμό κατά τη διάρκεια της συντήρησης, θα πρέπει να τοποθετηθεί μια μόνιμη διάταξη ανίχνευσης ηλεκτρικών διαρροών στο πιο κρίσιμο σημείο, η οποία θα προειδοποιεί για δυνητικά επικίνδυνες καταστάσεις.
- 10.2 Θα πρέπει να επιδείχεται ιδιαίτερη προσοχή στα ακόλουθα, ώστε να εξασφαλίζεται ότι κατά την εργασία στα ηλεκτρικά μέρη το περιβλήμα δεν τροποποιείται με τέτοιο τρόπο ώστε να επηρεάζεται το επίπεδο προστασίας. Ενδεικτικά αναφέρονται: ζημιά στα καλώδια, υπερβολικός αριθμός συνδέσεων, διαφορετικοί ακροδέκτες από εκείνους των αρχικών προδιαγραφών, ζημιά στις σφραγίσεις, εσφαλμένη τοποθέτηση στυπιοθλιπτών κ.λπ.
 - Βεβαιωθείτε ότι η συσκευή έχει στερεωθεί με ασφάλεια.
 - Βεβαιωθείτε ότι οι στεγανοποιήσεις ή τα υλικά στεγανοποίησης δεν έχουν υποβαθμιστεί σε τέτοιο βαθμό ώστε να μην εξυπηρετούν πλέον τον σκοπό της αποτροπής διείσδυσης εύφλεκτων αερίων. Τα ανταλλακτικά θα πρέπει να πληρούν τις προδιαγραφές του κατασκευαστή.

ΣΗΜΕΙΩΣΗ: Η χρήση στεγανοποιητών από σιλικόνη ενδέχεται να μειώσει την αποτελεσματικότητα ορισμένων τύπων εξοπλισμού διαρροών. Τα εγγενώς ασφαλή μέρη δεν χρειάζονται μόνωση για να εργαστείτε σε αυτά.

7.11 ΕΡΓΑΣΙΑ ΣΕ ΕΓΓΕΝΩΣ ΑΣΦΑΛΗ ΜΕΡΗ

Μην εφαρμόζετε μόνιμα επαγωγικά ή χωρητικά φορτία στο κύκλωμα εάν δεν έχει εξασφαλιστεί πρώτα ότι δεν θα γίνει υπέρβαση της επιτρεπόμενης τάσης και του επιτρεπόμενου ρεύματος για τον εξοπλισμό που χρησιμοποιείται. Τα εγγενώς ασφαλή μέρη είναι οι μόνοι τύποι όπου μπορείτε να εργαστείτε ενώ είναι ενεργά εν τη παρουσία εύφλεκτης ατμόσφαιρας. Η συσκευή δοκιμής θα πρέπει να έχει τη σωστή διαβάθμιση. Τα μέρη θα πρέπει να αντικαθίστανται μόνο από ανταλλακτικά που έχει καθορίσει ο κατασκευαστής. Η χρήση άλλων ανταλλακτικών μπορεί να προκαλέσει την ανάφλεξη του ψυκτικού μέσου στην ατμόσφαιρα λόγω διαρροής.

7. ΠΛΗΡΟΦΟΡΙΕΣ ΓΙΑ ΤΟ ΣΕΡΒΙΣ

7.12 ΚΑΛΩΔΙΩΣΕΙΣ

Ελέγξτε ότι οι καλωδιώσεις δεν υπόκεινται σε φθορά, διάβρωση, υπερβολική πίεση, κραδασμούς, κοφτερές ακμές ή τυχόν άλλες αντίξοες περιβαλλοντικές συνθήκες. Ο έλεγχος θα πρέπει επίσης να περιλαμβάνει τα αποτελέσματα της γήρανσης καθώς και συνεχείς κραδασμούς από πηγές όπως οι συμπιεστές και οι ανεμιστήρες.

7.13 ΑΝΙΧΝΕΥΣΗ ΕΥΦΛΕΚΤΩΝ ΨΥΚΤΙΚΩΝ ΜΕΣΩΝ

Σε καμία περίπτωση δεν θα πρέπει να χρησιμοποιούνται δυνητικές πηγές ανάφλεξης κατά την αναζήτηση ή την ανίχνευση για διαρροές ψυκτικού μέσου. Δεν θα πρέπει να χρησιμοποιούνται λάμπες αλογόνου (ή οποιαδήποτε άλλη συσκευή ανίχνευσης που χρησιμοποιεί ακάλυπτη φλόγα).

7.14 ΜΕΘΟΔΟΙ ΑΝΙΧΝΕΥΣΗΣ ΔΙΑΡΡΟΩΝ

Οι ακόλουθες μέθοδοι ανίχνευσης διαρροών θεωρούνται αποδεκτές για συστήματα που περιέχουν εύφλεκτα ψυκτικά μέσα. Για την ανίχνευση εύφλεκτων ψυκτικών μέσων πρέπει να χρησιμοποιούνται ηλεκτρονικές συσκευές ανίχνευσης, αλλά η ευαισθησία τους ενδέχεται να μην είναι επαρκής ή να χρειάζονται επαναβαθμονόμηση. (Η βαθμονόμηση του εξοπλισμού ανίχνευσης θα πρέπει να πραγματοποιείται σε χώρους απαλλαγμένους από ψυκτικό μέσο.) Βεβαιωθείτε ότι η συσκευή ανίχνευσης δεν αποτελεί πιθανή πηγή ανάφλεξης και είναι κατάλληλη για το ψυκτικό μέσο. Ο εξοπλισμός ανίχνευσης διαρροών θα πρέπει να ρυθμίζεται σε ένα ποσοστό της τιμής LFL του ψυκτικού μέσου και θα πρέπει να βαθμονομείται με βάση το ψυκτικό μέσο που χρησιμοποιείται, καθώς και να επιβεβαιώνεται το κατάλληλο ποσοστό αερίου (25% κατά το μέγιστο). Τα υγρά ανίχνευσης διαρροών είναι κατάλληλα για χρήση με τα περισσότερα ψυκτικά μέσα, ωστόσο η χρήση απορρυπαντικών που περιέχουν χλώριο θα πρέπει να αποφεύγεται, καθώς το χλώριο ενδέχεται να αντιδράσει με το ψυκτικό μέσο και να διαβρώσει τους χαλκοσωλήνες. Εάν υπάρχει υποψία διαρροής, όλες οι εκτεθειμένες φλόγες θα πρέπει να απομακρύνονται ή να σβήνονται. Εάν εντοπιστεί διαρροή ψυκτικού μέσου η οποία απαιτεί συγκόλληση, θα πρέπει να αφαιρεθεί ή να απομονωθεί (μέσω βαλβίδων αποκοπής) όλη η ποσότητα του ψυκτικού μέσου από το σύστημα σε ένα τμήμα του συστήματος που βρίσκεται μακριά από τη διαρροή. Στη συνέχεια, θα πρέπει να διοχετευθεί άζωτο απαλλαγμένο από οξυγόνο (OFN) σε όλο το σύστημα πριν και κατά τη διάρκεια της διαδικασίας συγκόλλησης.

7.15 ΑΦΑΙΡΕΣΗ ΚΑΙ ΕΚΚΕΝΩΣΗ

Κατά τη διάρκεια επεμβάσεων στο κύκλωμα ψυκτικού μέσου για σκοπούς επισκευών ή για οποιονδήποτε άλλο σκοπό, θα πρέπει να ακολουθούνται συμβατικές διαδικασίες. Ωστόσο, είναι σημαντικό να ακολουθούνται οι βέλτιστες πρακτικές, καθώς η αναφλεξιμότητα πρέπει να λαμβάνεται υπόψη. Θα πρέπει να τηρείται η ακόλουθη διαδικασία.

- Αφαίρεση του ψυκτικού μέσου
- Καθαρισμός του κυκλώματος με αδρανές αέριο
- Εκκένωση
- Εκ νέου καθαρισμός με αδρανές αέριο
- Άνοιγμα του κυκλώματος με κοπή ή συγκόλληση

Το ψυκτικό μέσο που αφαιρείται πρέπει να τοποθετείται σε κατάλληλες φιάλες αναπλήρωσης. Το κύκλωμα θα πρέπει να καθαρίζεται με έγχυση OFN για να επανέλθει σε ασφαλή κατάσταση. Αυτή η διαδικασία ενδέχεται να πρέπει να επαναληφθεί μερικές φορές.

Δεν θα πρέπει να χρησιμοποιείται πεπιεσμένος αέρας ή οξυγόνο για αυτήν την εργασία.

Ο καθαρισμός με έγχυση πρέπει να πραγματοποιείται ως εξής: διακοπή του κενού στο σύστημα με OFN και συνέχιση πλήρωσης μέχρι την επίτευξη της πίεσης λειτουργίας, στη συνέχεια εξαερισμός στην ατμόσφαιρα και τέλος επαναφορά σε κενό. Αυτή η διαδικασία πρέπει να επαναλαμβάνεται μέχρι να μην υπάρχει καθόλου ψυκτικό μέσο στο σύστημα.

Όταν χρησιμοποιηθεί η τελική πλήρωση με OFN, πρέπει να γίνει εξαερισμός του συστήματος μέχρι να επιτευχθεί ατμοσφαιρική πίεση που επιτρέπει τη διεξαγωγή των εργασιών. Αυτή η διαδικασία είναι απολύτως απαραίτητη εάν πρόκειται να διεξαχθούν εργασίες συγκόλλησης στις σωληνώσεις. Βεβαιωθείτε ότι η έξοδος για την αντλία κενού δεν είναι κοντά σε οποιεσδήποτε πηγές ανάφλεξης και ότι υπάρχει διαθέσιμος εξαερισμός.

7. ΠΛΗΡΟΦΟΡΙΕΣ ΓΙΑ ΤΟ ΣΕΡΒΙΣ

7.16 ΔΙΑΔΙΚΑΣΙΕΣ ΠΛΗΡΩΣΗΣ

Εκτός από τις συμβατικές διαδικασίες πλήρωσης, θα πρέπει επίσης να τηρούνται οι ακόλουθες απαιτήσεις:

- Βεβαιωθείτε ότι δεν παρουσιάζεται μόλυνση με διάφορα ψυκτικά μέσα όταν χρησιμοποιείτε εξοπλισμό πλήρωσης. Οι εύκαμπτοι σωλήνες και οι γραμμές πρέπει να έχουν όσο το δυνατό μικρότερο μήκος ώστε να ελαχιστοποιείται η ποσότητα του ψυκτικού μέσου που περιέχουν.
- Οι φιάλες πρέπει να διατηρούνται σε όρθια θέση.
- Εξασφαλίστε ότι το σύστημα ψύξης είναι γειωμένο πριν από την πλήρωση του συστήματος με ψυκτικό μέσο.
- Τοποθετήστε μια ετικέτα στο σύστημα όταν ολοκληρωθεί η πλήρωση (εάν δεν υπάρχει ήδη).
- Θα πρέπει να επιδείχεται ιδιαίτερη προσοχή ώστε να μην γίνει υπερπλήρωση του συστήματος.
- Πριν από την επαναπλήρωση του συστήματος θα πρέπει να πραγματοποιείται δοκιμή της πίεσης με OFN. Θα πρέπει να πραγματοποιούνται δοκιμές για διαρροές στο σύστημα μετά την ολοκλήρωση της πλήρωσης αλλά πριν από την εκκίνηση.

7.17 ΔΙΑΚΟΠΗ ΛΕΙΤΟΥΡΓΙΑΣ

Πριν από τη διεξαγωγή αυτής της διαδικασίας, είναι πολύ σημαντικό ο τεχνικός να είναι πλήρως εξοικειωμένος με τον εξοπλισμό και όλα τα στοιχεία του. Σημαντικό στοιχείο καλής πρακτικής είναι η ασφαλής ανάκτηση όλων των ψυκτικών μέσων. Πριν από την εκτέλεση των εργασιών, πρέπει να λαμβάνονται δείγματα λαδιού και ψυκτικού μέσου.

Πριν από τη χρήση ανακτημένου ψυκτικού μέσου, απαιτείται ανάλυση περίπτωσης. Πρέπει απαραίτητα να υπάρχει διαθέσιμη ηλεκτρική παροχή πριν από την έναρξη των εργασιών.

- α) Εξοικειωθείτε με τον εξοπλισμό και τη λειτουργία του.
- β) Μονώστε ηλεκτρικά το σύστημα
- γ) Προτού ξεκινήσετε τη διαδικασία εξασφαλίστε ότι:
 - Υπάρχει διαθέσιμος εξοπλισμός μηχανικού χειρισμού, εάν απαιτείται, για τον χειρισμό των φιαλών ψυκτικού μέσου.
 - Υπάρχει διαθέσιμος και χρησιμοποιείται σωστά όλος ο προσωπικός προστατευτικός εξοπλισμός.
 - Η διαδικασία ανάκτησης εποπτεύεται πάντα από ένα εξουσιοδοτημένο άτομο.
 - Ο εξοπλισμός ανάκτησης και οι φιάλες πληρούν τα κατάλληλα πρότυπα.
- δ) Αδειάστε με άντληση το σύστημα ψυκτικού μέσου, εάν είναι εφικτό.
- ε) Εάν δεν είναι δυνατή η δημιουργία κενού, δημιουργήστε μια πολλαπλή εξαγωγής έτσι ώστε να είναι δυνατή η αφαίρεση του ψυκτικού μέσου από διάφορα μέρη του συστήματος.
- στ) Βεβαιωθείτε ότι η φιάλη είναι τοποθετημένη στις κλίμακες πριν πραγματοποιηθεί η ανάκτηση.
- ζ) Θέστε σε λειτουργία το μηχάνημα ανάκτησης και χρησιμοποιήστε το σύμφωνα με τις οδηγίες του κατασκευαστή.
- η) Μην υπερπληρώνετε τις φιάλες. (Όχι περισσότερο από 80% της ποσότητας πλήρωσης υγρού.)
- θ) Μην υπερβαίνετε τη μέγιστη πίεση λειτουργίας της φιάλης, ακόμη και προσωρινά.
- ι) Όταν οι φιάλες έχουν πληρωθεί σωστά και η διαδικασία έχει ολοκληρωθεί, φροντίστε οι φιάλες και ο εξοπλισμός να απομακρυνθούν αμέσως από την τοποθεσία και να κλείσουν όλες οι βαλβίδες απομόνωσης του εξοπλισμού.
- κ) Το ανακτημένο ψυκτικό μέσο δεν πρέπει να χρησιμοποιείται για την πλήρωση μιας άλλης μονάδας παρά μόνο εάν καθαριστεί και ελεγχθεί.

7.18 ΠΡΟΣΘΗΚΗ ΕΤΙΚΕΤΩΝ

Θα πρέπει να τοποθετήσετε ετικέτες στον εξοπλισμό που θα αναφέρουν ότι έχει τεθεί εκτός λειτουργίας και ότι το ψυκτικό μέσο έχει αφαιρεθεί. Η ετικέτα θα πρέπει να αναγράφει την ημερομηνία και να έχει υπογραφή. Βεβαιωθείτε ότι υπάρχουν ετικέτες στον εξοπλισμό που αναφέρουν ότι ο εξοπλισμός περιέχει εύφλεκτο ψυκτικό μέσο.

7. ΠΛΗΡΟΦΟΡΙΕΣ ΓΙΑ ΤΟ ΣΕΡΒΙΣ

7.19 ΑΝΑΚΤΗΣΗ

- Όταν αφαιρείτε το ψυκτικό μέσο από ένα σύστημα, είτε για σέρβις είτε για διακοπή λειτουργίας, η συνιστώμενη καλή πρακτική είναι να αφαιρούνται με ασφάλεια όλα τα ψυκτικά μέσα.
- Όταν μεταφέρετε το ψυκτικό μέσο σε φιάλες, βεβαιωθείτε ότι χρησιμοποιούνται μόνο κατάλληλες φιάλες ανάκτησης ψυκτικού μέσου. Βεβαιωθείτε ότι υπάρχουν διαθέσιμες αρκετές φιάλες για την αποθήκευση ολόκληρης της ποσότητας πλήρωσης ψυκτικού μέσου του συστήματος. Όλες οι φιάλες που χρησιμοποιούνται πρέπει να είναι κατάλληλες για το ανακτημένο ψυκτικό μέσο και να φέρουν ετικέτες για το συγκεκριμένο ψυκτικό (π.χ. ειδικές φιάλες για την ανάκτηση ψυκτικού μέσου). Οι φιάλες πρέπει να είναι πλήρεις, με βαλβίδα εκτόνωσης πίεσης και κατάλληλες βαλβίδες αποκοπής που λειτουργούν σωστά.
- Πριν από την ανάκτηση, οι κενές φιάλες ανάκτησης θα πρέπει να αδειάζονται και, εάν είναι εφικτό, να ψύχονται.
- Ο εξοπλισμός ανάκτησης πρέπει να είναι σε καλή λειτουργική κατάσταση και να διαθέτει οδηγίες χρήσης για τον συγκεκριμένο εξοπλισμό, καθώς επίσης να είναι κατάλληλος για την ανάκτηση εύφλεκτων ψυκτικών μέσων. Επιπλέον, θα πρέπει να υπάρχουν διαθέσιμες βαθμονομημένες κλίμακες ζύγισης σε καλή λειτουργική κατάσταση.
- Οι εύκαμπτοι σωλήνες πρέπει να είναι πλήρεις, με στεγανούς συνδέσμους αποσύνδεσης και σε καλή λειτουργική κατάσταση. Πριν από τη χρήση του μηχανήματος ανάκτησης, ελέγξτε ότι είναι σε ικανοποιητική λειτουργική κατάσταση, έχει συντηρηθεί σωστά και ότι όλα τα ηλεκτρικά μέρη είναι στεγανοποιημένα, προκειμένου να αποτραπεί ανάφλεξη στην περίπτωση απελευθέρωσης ψυκτικού μέσου. Εάν έχετε αμφιβολίες, επικοινωνήστε με τον κατασκευαστή.
- Το ανακτημένο ψυκτικό μέσο πρέπει να επιστραφεί στον προμηθευτή του ψυκτικού μέσου στην κατάλληλη φιάλη ανάκτησης με τοποθετημένη τη σχετική σήμανση μεταφοράς αποβλήτων. Μην αναμιγνύετε ψυκτικά μέσα στις μονάδες ανάκτησης και ιδιαίτερα στις φιάλες.
- Εάν πρόκειται να αφαιρεθούν συμπιεστές ή λάδια συμπιεστών, βεβαιωθείτε ότι έχουν εκκενωθεί σε αποδεκτό βαθμό, ώστε να εξασφαλίσετε ότι δεν έχει παραμείνει εύφλεκτο ψυκτικό μέσο μέσα στο λιπαντικό. Η διαδικασία εκκένωσης πρέπει να πραγματοποιείται πριν από την επιστροφή του συμπιεστή στους προμηθευτές. Για την επιτάχυνση αυτής της διαδικασίας, επιτρέπεται μόνο η ηλεκτρική θέρμανση του σώματος του συμπιεστή. Όταν πραγματοποιείται αποστράγγιση του λαδιού από ένα σύστημα, αυτό θα πρέπει να γίνεται με προσοχή.

7.20 ΜΕΤΑΦΟΡΑ, ΣΗΜΑΝΣΗ ΚΑΙ ΑΠΟΘΗΚΕΥΣΗ ΜΟΝΑΔΩΝ

1. Η μεταφορά εξοπλισμού που περιέχει εύφλεκτα ψυκτικά μέσα πρέπει να πραγματοποιείται σύμφωνα με τους κανονισμούς μεταφοράς.
2. Η σήμανση του εξοπλισμού πρέπει να γίνεται με σύμφωνα με τους τοπικούς κανονισμούς.
3. Η απόρριψη εξοπλισμού που περιέχει εύφλεκτα ψυκτικά μέσα πρέπει να γίνεται σύμφωνα με τους εθνικούς κανονισμούς.
4. Αποθήκευση εξοπλισμού/συσκευών
Η αποθήκευση του εξοπλισμού θα πρέπει να γίνεται σύμφωνα με τις οδηγίες του κατασκευαστή.
5. Αποθήκευση συσκευασμένου (μη πωληθέντος) εξοπλισμού
Η προστατευτική συσκευασία αποθήκευσης θα πρέπει να είναι κατασκευασμένη με τέτοιο τρόπο ώστε πιθανή ζημιά στον εξοπλισμό εντός της συσκευασίας να μην προκαλεί διαρροή του ψυκτικού μέσου.
Ο μέγιστος αριθμός των τεμαχίων εξοπλισμού που επιτρέπεται να αποθηκεύονται μαζί προσδιορίζεται από τους τοπικούς κανονισμούς.

Ovaj proizvod proglašen je sukladnim s Direktivom o niskom naponu (2014/35/EZ) i Direktivom o elektromagnetskoj kompatibilnosti (2014/30/EZ) Europske unije.



Ispravno zbrinjavanje ovog proizvoda (otpadna električna i elektronička oprema)

(Pri uporabi ovog klimatizacijskog uređaja u europskim državama potrebno je slijediti sljedeće upute)

– Ova oznaka na proizvodu ili u literaturi označava da otpadnu električnu i elektroničku opremu (WEEE, odnosno Direktiva 2012/19/EU) ne smijete pomiješati s ostalim otpadom iz kućanstva.

Zabranjeno je odlaganje ovog uređaja kao da je obični kućni otpad.

Za odlaganje postoji nekoliko mogućnosti:

1. Lokalna uprava uspostavila je sustav za prikupljanje, gdje možete u najmanju ruku besplatno odložiti elektronički otpad.
2. Pri kupnji novog uređaja prodavač će u najmanju ruku bez naknade uzeti stari uređaj.
3. Proizvođač će u najmanju ruku bez naknade uzeti natrag stari uređaj radi odlaganja.
4. Budući da stari uređaji sadrže vrijedne materijale, može ih se prodati u otkup sekundarnih sirovina.

Divlje odlaganje otpada u šumama i krajolicima ugrožava vaše zdravlje kada opasne tvari iscure u podzemne vode i uđu u hranidbeni lanac.

Ovaj proizvod sadrži fluorirane plinove obuhvaćene Protokolom iz Kyota.

Kemijsko ime plina

R410A / R32

Potencijal globalnog zatopljanja plina

2088 / 675

OPREZ

1. Nalijepite priloženu deklaraciju rashladnog sredstva kraj mjesta za punjenje i/ili ispušt.
2. Čitko, neizbrisivom tintom, zapišite na deklaraciju količinu rashladnog sredstva kojim je uređaj napunjen.
3. Spriječite ispuštanje sadržanog fluoriranog plina u okolinu. Obavezno spriječite ispuštanje fluoriranog plina u atmosferu tijekom ugradnje, servisiranja ili odlaganja. Pri svakom primijećenom curenju fluoriranog plina curenje treba zaustaviti i popraviti u najkraćem mogućem roku.
4. Pristup i servisiranje ovog proizvoda dopušteni su samo kvalificiranim ovlaštenim serviserima.
5. Svako rukovanje fluoriranim plinom u ovom proizvodu, npr. pri premještanju uređaja ili punjenju plinom, podložno je Uredbi (EZ) br. 517/2014 o određenim fluoriranim stakleničkim plinovima te relevantnim lokalnim propisima.
6. Za sva pitanja obratite se prodavačima, instalaterima itd.

Unutarnja jedinica	Dimenzije (UJ)	Vanjska jedinica	Dimenzije (VJ)	Radni napon i frekvencija
42QZA009DS*	700x600x210	38QUS009DS*	770x300x555	
42QZA012DS*	700x600x210	38QUS012DS*	800x333x554	220-240V~ 50Hz
42QZA012D8S*	700x600x210	38QUS012D8S*	800x333x554	
42QZA018DS*	700x600x210	38QUS018DS*	800x333x554	

Proizvođač zadržava pravo izmjene bilo kojih specifikacija proizvoda bez najave.

SADRŽAJ

1. PRIPREMA ZA UGRADNJU	3
1.1 Sigurnosne mjere	3
1.2 Dodaci	4
2. UGRADNJA UNUTARNJE JEDINICE	6
2.1 Izbor mjesta ugradnje	6
2.2 Ugradnja unutarnje jedinice	7
2.3 Spajanje cijevi i žica	7
2.4 Ugradnja odvodne cijevi	8
3. UGRADNJA VANJSKE JEDINICE	9
3.1 Izbor mjesta ugradnje	9
3.2 Dimenzije za ugradnju vanjske jedinice	9
3.3 Potreban prostor za vanjsku jedinicu	10
3.4 Ugradnja vanjske jedinice	10
3.5 Ugradnja odvodne cijevi za vanjsku jedinicu	10
4. PROVOĐENJE CIJEVI RASHLADNOG SREDSTVA	11
4.1 Širenje cijevi	11
4.2 Provođenje cijevi	11
4.3 Cijev rashladnog sredstva	12
4.4 Izvlačenje zraka	12
4.5 Ispitivanje curenja	12
5. OŽIČENJE	13
6. ZAVRŠNE PROVJERE I POKUSNI RAD	14
6.1 Popis završnih provjera	14
6.2 Ručno upravljanje	14
6.3 Pokusni rad	14
7. INFORMACIJE O SERVISIRANJU	15



Oprez: Rizik od požara samo za
rashladno sredstvo R32/R290

1. PRIPREMA ZA UGRADNJU

1.1. SIGURNOSNE MJERE

- Ugradnja, pokretanje i servisiranje klimatizacijskih uređaja mogu biti opasni zbog tlakova u sustavu, električnih komponentata te lokacije opreme (krovovi, uzdignute strukture itd.).
- Ugradnju, pokretanje i servisiranje ovog uređaja treba povjeriti samo obučanim, kvalificiranim monterima i serviserima.
- Prilikom rada na uređaju slijedite mjere opreza u priručnicima te na oznakama, naljepnicama i natpisima koji se nalaze na uređaju.
- Držite se svih sigurnosnih propisa. Nosite zaštitne naočale i radničke rukavice. Pri lemljenju neka vam tkanina za gašenje i aparat za gašenje požara budu nadohvat ruke. Budite pažljivi pri rukovanju glomaznim uređajima te pri njihovoj montaži i postavljanju.
- Pažljivo pročitajte ove upute i pridržavajte se svih upozorenja i napomena koji su navedeni u priručnicima i pričvršćeni na jedinicu. Provjerite odgovarajuće posebne odredbe lokalnih građevinskih i elektroinstalacijskih propisa.

UPOZORENJE

Ovaj simbol ukazuje na mogućnost ozljede ili smrti.

- **Rashladni plin teži je od zraka i istiskuje kisik. Obilno curenje može dovesti do nestanka kisika, naročito u podrumima, što može dovesti do gušenja, a time do teških ozljeda ili smrti.**
- **Ako je klimatizacijski uređaj ugrađen u malu prostoriju, prikladnim mjerama osigurajte da koncentracija iscurjelog rashladnog sredstva ne prijeđe kritičnu razinu.**
- **Ako rashladni plin iscuri tijekom ugradnje, odmah prozračite prostor.**
Rashladni plin može proizvesti otrovan plin dođe li u dodir s plamenom iz grijača ili štednjaka. Izlaganje tom plinu može uzrokovati teške ili smrtonosne ozljede.
- **Odspojite napajanje prije bilo kakvih električarskih radova. Ispravno spojite spojni kabel.**
Pogrešno spajanje može dovesti do oštećenja električnih dijelova.
- **Za električne spojeve koristite specificirane kabele i čvrsto pričvrstite žice na konektore terminalnog bloka tako da na terminal ne djeluje vanjska sila.**
- **Obavezno uzemljite uređaj.**
Ne uzemljujte uređaj spajanjem na plinske ili vodovodne cijevi, gromobrane ili telefonske žice. Nepotpuno uzemljenje može uzrokovati opasnost od jakog strujnog udara, koji može dovesti do ozljeda ili smrti.
- **Sigurno odložite materijale u koje je uređaj zapakiran.**
Materijali u koje je uređaj zapakiran, kao što su čavli i drugi metalni i drveni dijelovi, mogu uzrokovati ubodne i druge ozljede. Razderite i bacite plastične vreće za pakiranje kako se djeca ne bi igrala njima. Djeca koja se igraju plastičnim vrećama mogu se ugušiti.
- **Nemojte ugrađivati u blizini koncentracija zapaljivih plinova ili plinskih para.**
- **Koristite isključivo isporučene ili točno specificirane dijelove za ugradnju.**
Uporaba drugih dijelova može prouzročiti kvar uređaja, curenje vode, strujni udar, požar ili oštećenje opreme.
- **Pri ugradnji ili premještanju sustava spriječite ulazak zraka ili drugih tvari osim specificiranog rashladnog sredstva (R410A/R32) u rashladni krug.**
- **Nikad nemojte modificirati ovu jedinicu uklanjanjem zaštitnih letvica ili zaobilazanjem sigurnosnih sklopki.**
- **Električni radovi moraju se obavljati u skladu s priručnikom za ugradnju te državnim i lokalnim propisima za električne instalacije.**
- **Obavezno koristite zaseban strujni krug. Nikad nemojte priključivati ovaj uređaj na utičnicu na koju su već priključeni drugi uređaji.**

1. PRIPREMA ZA UGRADNJU

UPOZORENJE

- Kako bi se izbjegla opasnost uslijed nenamjernog resetiranja termičkog prekidača, ovaj se uređaj ne smije napajati kroz vanjske preklopne uređaje kao što su tajmeri i ne smije se spajati na strujni krug koji se često uključuje i isključuje.
- Koristite propisane izolirane strujne kabele zaštićene ispravnom toplinskom otpornošću izolacijskog sloja. Nepropisni kabele mogu uzrokovati curenje struje, pretjeranu proizvodnju topline ili požar.
NAPOMENA: Sljedeće informacije potrebne su za jedinice koje koriste rashladno sredstvo R32/R290.
- Uređaj se mora pohraniti u prostoriji u kojoj nema kontinuiranog rada izvora zapaljenja. (na primjer: otvoreni plamen, uključeni plinski uređaj ili uključena električna grijalica).
- Nemojte bušiti ili paliti uređaj.
- Imajte na umu da rashladna sredstva uglavnom nemaju miris.
- Moraju se poštovati nacionalni propisi u pogledu plina.
- Uređaj se mora držati u prostoru s dobrom ventilacijom u kojem veličina prostora odgovara površini navedenoj za rad uređaja.
- Uređaj se mora ugraditi, pohraniti i njime rukovati u prostoriji površine veće od $X \text{ m}^2$, ugrađeni cjevovod mora biti na najmanjoj površini od $X \text{ m}^2$ (Vidjeti sljedeći obrazac).
- Uređaj se ne smije ugrađivati u prostoru bez ventilacije, ako je prostor manji od $X \text{ m}^2$ (Vidjeti sljedeći obrazac). Prostori na kojima će biti smještene rashladne cijevi moraju biti sukladni nacionalnim propisima u pogledu plina.

Model (Btu/h)	Količina rashladnog sredstva koju je potrebno napuniti (kg)	Maksimalna visina ugradnje (m)	Minimalna površina prostorije (m^2)
≤ 30000	$\leq 2,048$	1,8 m	4
		0,6 m	35
30000-48000	2,048-3,0	1,8 m	8
		0,6 m	80
> 48000	$> 3,0$	1,8 m	9
		0,6 m	80

Napomena o fluoriranim plinovima

- Ovaj klimatizacijski uređaj sadržava fluorirane plinove. Za specifične informacije o vrsti i količini plina, pogledajte odgovarajuću oznaku na samom uređaju.
- Ugradnju, servis, održavanje i popravak uređaja mora izvršiti ovlašteni tehničar.
- Deinstalaciju i recikliranje proizvoda mora izvršiti ovlašteni tehničar.
- Ako sustav ima ugrađen sustav za otkrivanje ispuštanja, najmanje svakih 12 mjeseci moraju se provjeravati moguća ispuštanja.
- Kada se uređaj provjerava u pogledu ispuštanja, izrazito se preporuča voditi evidenciju o svim provjerama.

1. PRIPREMA ZA UGRADNJU



Ovaj simbol ukazuje na mogućnost materijalne štete ili ozbiljnih posljedica.

- Kako biste izbjegli ozljede, budi oprezni pri rukovanju dijelovima s oštrim rubovima.
- Ne ugrađujte ni vanjske ni unutarnje jedinice na mjestima s posebnim okolišnim uvjetima.
- Ne ugrađujte na mjesto koje može povećati razinu buke uređaja ili gdje zvuk i ispušteni zrak mogu ometati susjede.
- Izvedite radove vezane uz provođenje cijevi i odvoda sigurno, prema priručniku za ugradnju.
Neispravno provedene odvodne cijevi mogu uzrokovati curenje vode i oštećenja imovine.
- Ne ugrađujte klimatizacijski uređaj na sljedeća mjesta:
 - mjesta gdje su prisutna mineralna ulja ili arsenatna kiselina
 - mjesta gdje se mogu nakupljati korozivni plinovi (npr. pare sumporne kiseline) ili zapaljivi plinovi (npr. razrjeđivač) ili gdje se rukuje lako zapaljivim tvarima
 - mjesta na kojima se nalazi oprema koja generira elektromagnetska polja ili visokofrekvencijske harmonike

1.2. DODACI

Uređaju su priloženi sljedeći dodaci. Njihov tip i količina mogu se razlikovati ovisno o specifikacijama.

Naziv dodatka	Kol. (kom.)	Oblik	Uporaba
Priručnik	3		<Priručnik za ugradnju>, <Korisnički priručnik>, <Priručnik daljinskog upravljača> (ili <Priručnik ožičenog daljinskog upravljača>)
Brtva	1		Brtvljenje odvoda vanjske jedinice
Ispust odvoda	1		Spajanje odvodne cijevi za vanjsku jedinicu
Emisijski filtar za kabel	1		Za sukladnost s EMC standardima (koristi se na unutarnjim/vanjskim spojnim vodovima)
Kuka	2		Za ugradnju

Sljedeći dodaci odnose se na daljinski upravljač.

Naziv dodatka	Kol. (kom.)	Oblik	Uporaba
Daljinski upravljač	1		Za daljinsko upravljanje klimatizacijskim uređajem
Držač daljinskog upravljača	1		Za držanje daljinskog upravljača na zidu
Vijak s tiplom	2		Za pričvršćivanje držača daljinskog upravljača
Baterija	2		Za daljinski upravljač

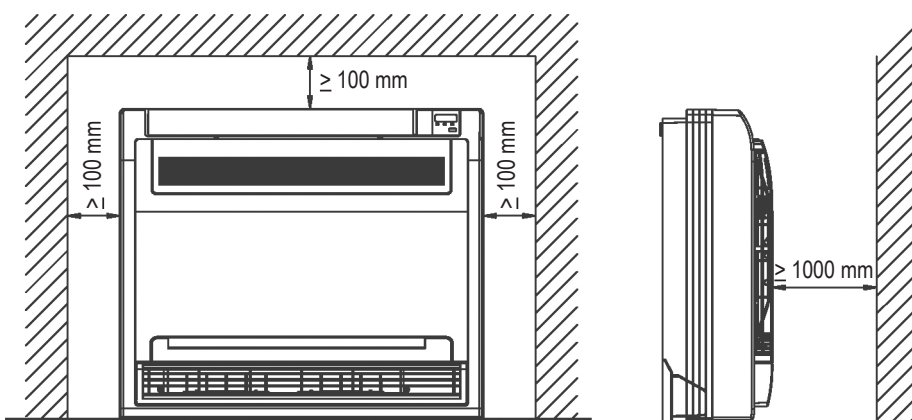
Napomena: Dodaci za daljinski upravljač nisu dostupni kod modela s ožičenim daljinskim upravljačem.
Podaci o dodacima za ožičeni daljinski upravljač nalaze se u priloženom priručniku ožičeni daljinskog upravljača.

2. UGRADNJA UNUTARNJE JEDINICE

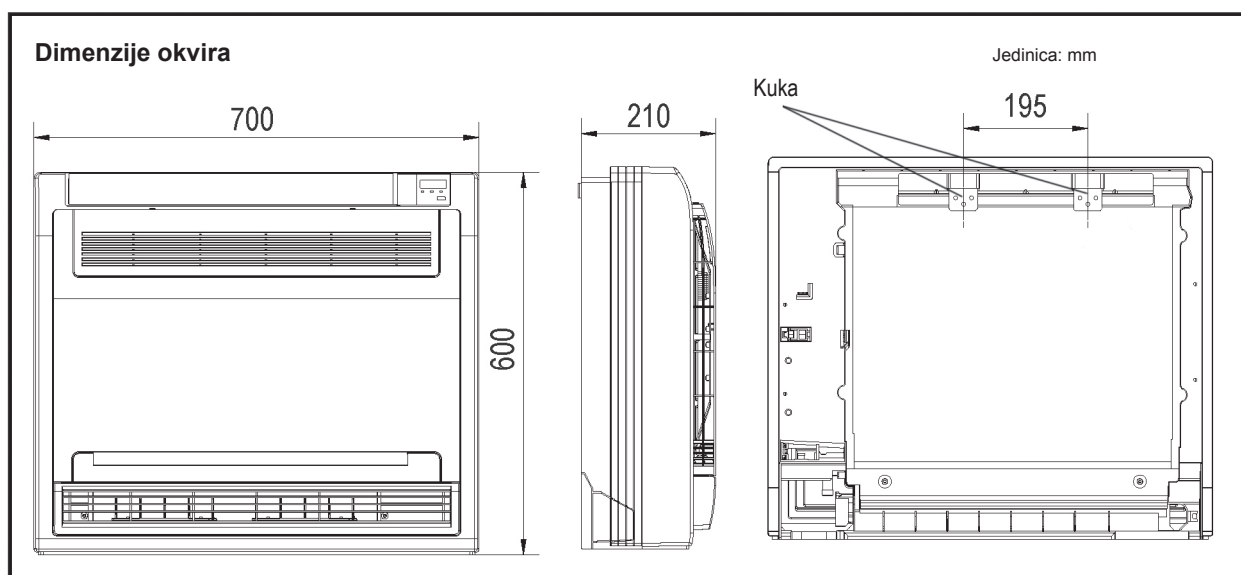
2.1. IZBOR MJESTA UGRADNJE

UNUTARNJA JEDINICA

- Mjesto gdje nije izložena izravnoj sunčevoj svjetlosti.
- Mjesto gdje nije blokiran protok zraka.
- Mjesto gdje je osigurano optimalno rasprostiranje zraka.
- Mjesto gdje se kondenzat može odvoditi ispravno i sigurno.
- Ugradite unutarnju jedinicu na zid/strop koji sprečava vibracije i koji može izdržati težinu uređaja.
- Osigurajte dovoljno praznog prostora oko unutarnje jedinice za održavanje i servisiranje.
- Mjesto gdje se filter za zrak može lako ukloniti i očistiti.
- Mjesto gdje je duljina cijevi između unutarnje i vanjske jedinice unutar dopuštenih granica.
- Ugradite unutarnju jedinicu 1 m ili dalje od TV-a ili radija kako biste spriječili distorziju slike ili zvuka.
- Ugradite unutarnju jedinicu što je dalje moguće od fluorescentnih i običnih žarulja kako bi daljinski upravljač ispravno radio.



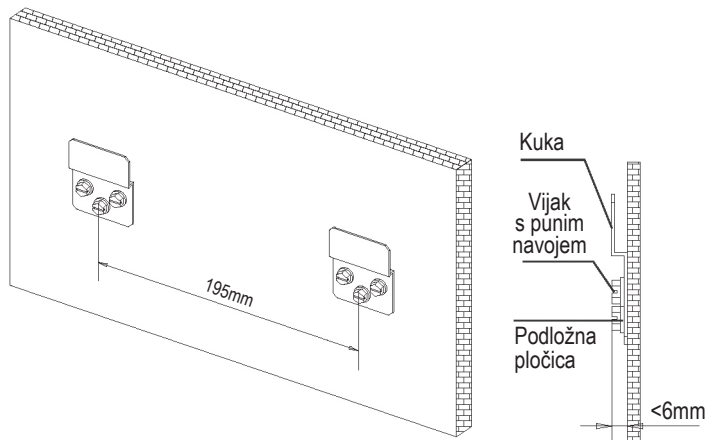
POTREBAN PROSTOR ZA UNUTARNJU JEDINICU



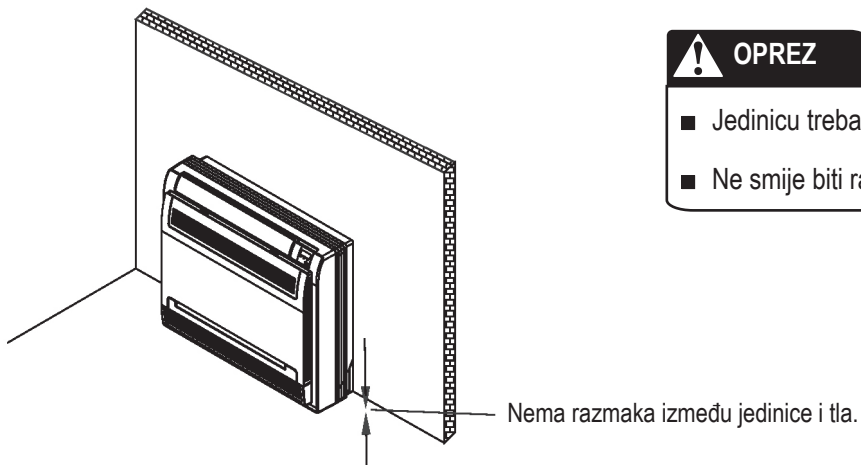
2. UGRADNJA UNUTARNJE JEDINICE

2.2 UGRADNJA UNUTARNJE JEDINICE

2.2.1 Pričvrstite kuku na zid s pomoću samonareznog vijka.



2.2.1 Objesite unutarnju jedinicu na kuku.



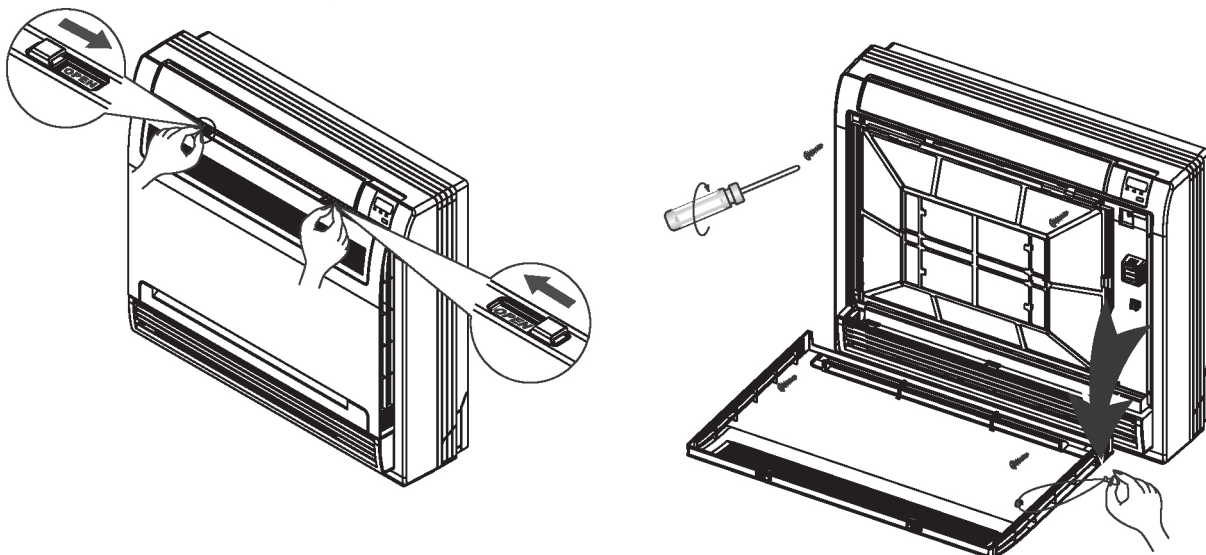
⚠ OPREZ

- Jedinicu treba ugraditi okomito.
- Ne smije biti razmaka između jedinice i tla.

2.3 POVEZIVANJE CIJEVI I ŽICA

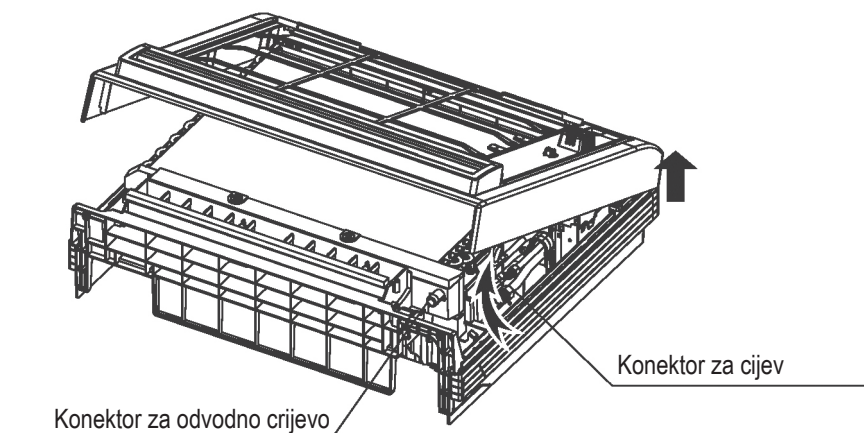
2.3.1 Istovremeno pritisnite oba prekidača, a zatim otvorite ploču.

2.3.2 Uklonite vezicu i skinite ploču.

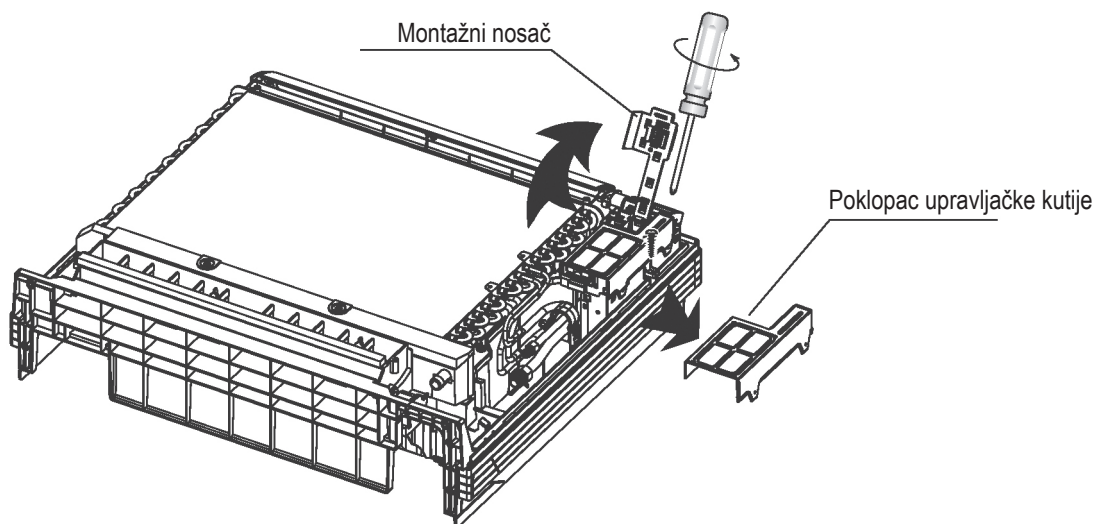


2. UGRADNJA UNUTARNJE JEDINICE

2.3.3 Uklonite 4 vijka, a zatim uklonite okvir s donje strane. Nakon skidanja okvira vidjet ćete konektore za cijev i odvodno crijevo.

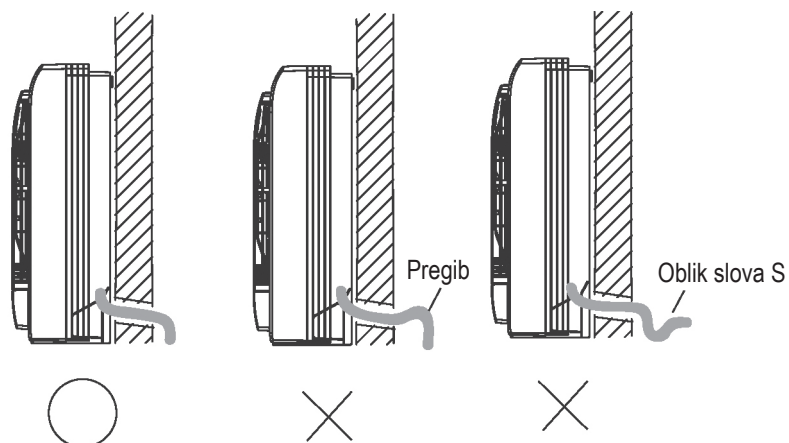


2.3.4 Uklonite montažni nosač i skinite poklopac upravljačke kutije. Može se vidjeti kraj ožičenja.



2.4 UGRADNJA ODVODNE CIJEVI

Odvodna linija nigdje ne smije imati koljeno, mora teći prema dolje i mora biti izolirana sve do vanjskog zida.

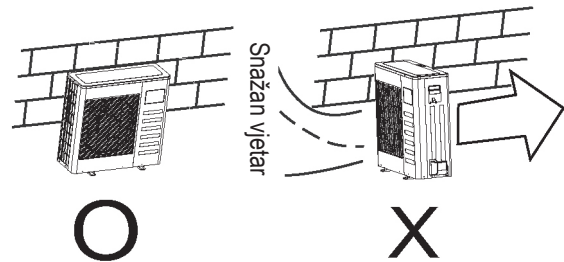


3. UGRADNJA VANJSKE JEDINICE

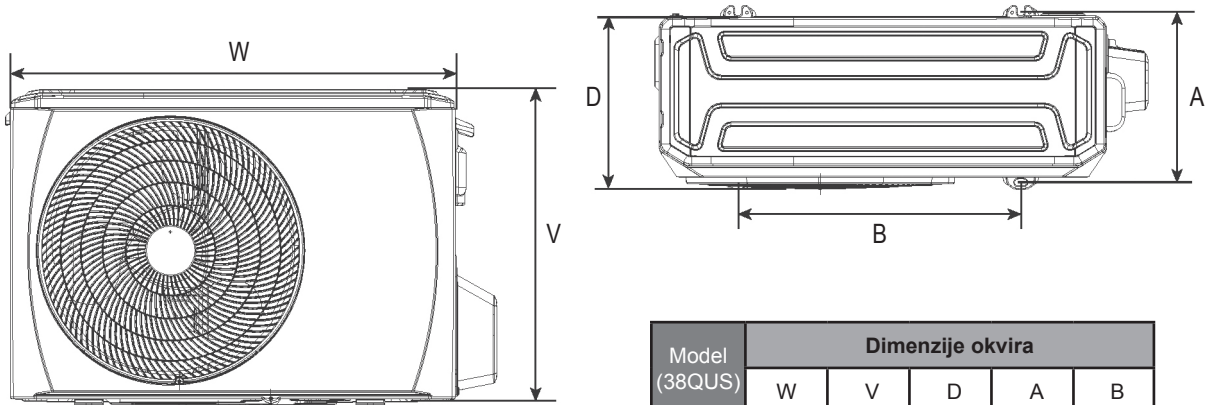
3.1. IZBOR MJESTA UGRADNJE

VANJSKA JEDINICA

- Mjesto gdje nije izložena kiši i izravnoj sunčevoj svjetlosti.
- Mjesto gdje je dobro prozračeno i gdje nema prepreka blizu usisa i ispuha zraka.
- Mjesto gdje se ne povećavaju buka i vibracije tijekom rada vanjske jedinice.
- Mjesto gdje neće biti problema s odvodom ispuštene vode.
- Ispravno ugradite vanjsku jedinicu na mjesto koje će izdržati težinu vanjske jedinice.
- Mjesto gdje ima dovoljno praznog prostora kao što je označeno.
- Mjesto gdje je duljina cijevi između unutarnje i vanjske jedinice unutar dopuštenih granica.
- U snježnim i hladnim regijama izbjegavajte ugradnju vanjske jedinice na mjestima na kojima bi ju mogao prekriti snijeg. Ako se očekuje mnogo snijega, treba ugraditi stalak i zaštitnu pregradu kako bi se jedinica zaštitila od gomilanja snijega i blokade usisa zraka.
- Prilikom ugradnje vanjske jedinice na mjesto koje je stalno izloženo jakom vjetru preporučuje se postavljanje zaštitne pregrade.



3.2. DIMENZIJE ZA UGRADNJU VANJSKE JEDINICE

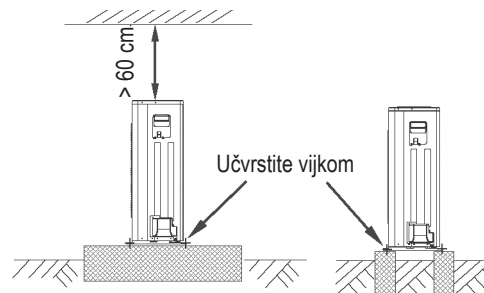
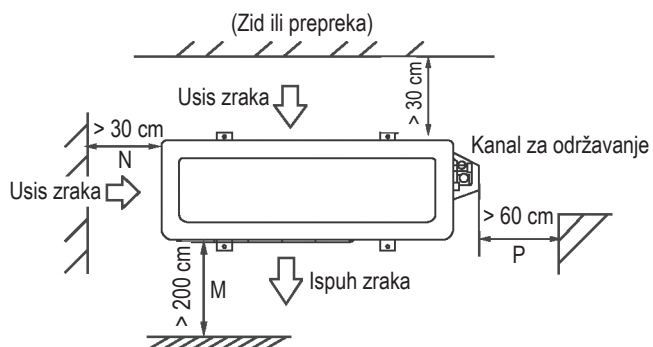


Model (38QUS)	Dimenzije okvira				
	W	V	D	A	B
009	770	555	300	298	487
012/018	800	554	333	340	514

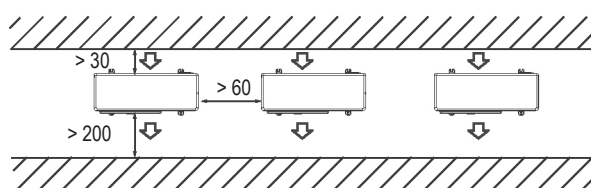
3. UGRADNJA VANJSKE JEDINICE

3.3 POTREBAN PROSTOR ZA VANJSKU JEDINICU

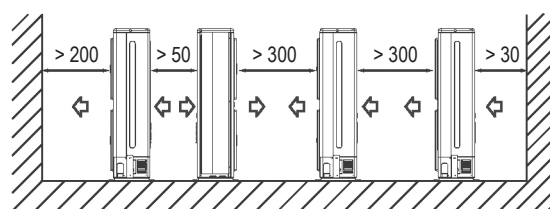
Ugradnja jedne jedinice



Paralelno povezivanje dviju ili više jedinica jedinica: cm

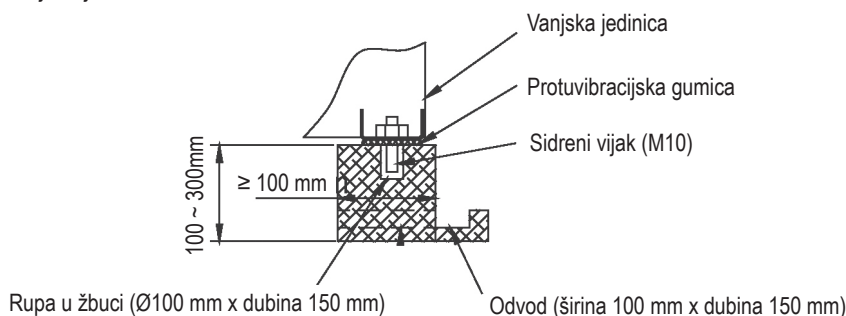


Paralelno povezivanje prednjih i stražnjih strana jedinica: cm



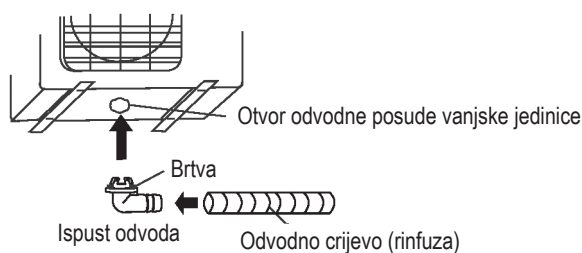
3.4 UGRADNJA VANJSKE JEDINICE

- Prije ugradnje provjerite čvrstoću baze i uvjerite se da je vodoravna kako se ne bi stvarali neobičajeni zvukovi.
- Čvrsto pričvrstite bazu sidrenim vijcima (M10) kako se ne bi urušila.
- Postavite temelj i protuvibracijske gumice tako da izravno podupiru donju površinu noge za pričvršćivanje koja je u dodiru s donjom pločom vanjske jedinice.



3.5 UGRADNJA ODVODNE CIJEVI ZA VANJSKU JEDINICU

- Spojite ispust odvoda s produžnim odvodnim crijevom.
- Stavite brtvu na ispust odvoda.
- Umetnite ispust odvoda u otvor na dnu vanjske jedinice te ga okrenite za 90 stupnjeva kako biste ga učvrstili.



4. PROVOĐENJE CIJEVI RASHLADNOG SREDSTVA

OPREZ

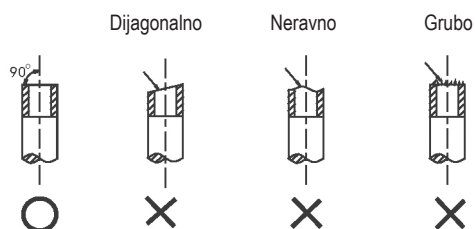
- Provjerite odgovaraju li visinska razlika unutarnje i vanjske jedinice te ukupna duljina cijevi hladila sistemskim zahtjevima.
- Provođenje cijevi rashladnog sredstva slijedi nakon ugradnje unutarnje i vanjske jedinice. Prvo priključite cijev na unutarnjoj strani, a potom na vanjskoj.
- Tijekom ugradnje krajeve cijevi uvijek držite zapečaćenima kapicom ili trakom i NE skidajte ih dok ne pristupite povezivanju cijevi.
- Obavezno izolirajte sve cijevi sve do konektora za cijevi unutar jedinice. Izložene cijevi mogu uzrokovati kondenzaciju ili opekline ako ih dodirnete.

4.1. ŠIRENJE CIJEVI

NAPOMENA

- Alati potrebni za širenje jesu rezač cijevi, razvrtač, alat za širenje i držač cijevi.
- Za modele s rashladnim sredstvom R32 točke za spajanje cijevi moraju se nalaziti izvan prostorije.

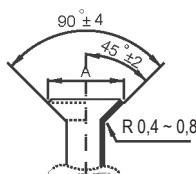
4.1.1 Rezanje cijevi na potrebnu duljinu rezačem cijevi
Cijev obavezno režite pod kutom od 90° u odnosu na stranicu cijevi.



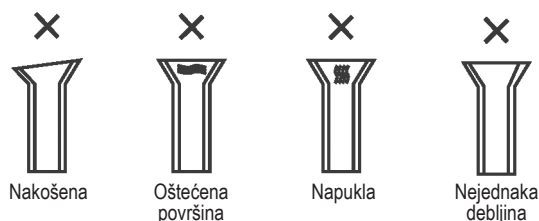
4.1.2 Razvrtačem uklonite šavove s reza držeći odrezanu površinu prema dolje kako krotine ne bi ušle u cijev.

4.1.3 Proširite cijev s pomoću alata za širenje kako je prikazano u nastavku.

Vanjski promjer	A (mm)	
	Maks.	Min.
Ø6,35 mm	8,7	8,3
Ø9,52 mm	12,4	12,0
Ø12,7mm	15,8	15,4
Ø15,88 mm	19,0	18,6
Ø19,05mm	23,3	22,9

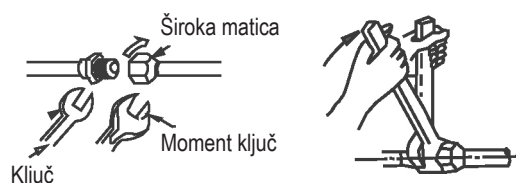


4.1.4 Provjerite je li proširenje ispravno izvedeno.
Dolje su prikazane neispravno proširene cijevi.



4.2 PROVOĐENJE CIJEVI

4.2.1 Poravnajte centar kako biste zategnuli široku maticu i dovršite povezivanje s pomoću dvaju ključeva.



Veličina cijevi	Zakretni moment
Ø6,35 mm	18 ~ 20 N.m
Ø9,52 mm	25 ~ 26 N.m
Ø12,7mm	35 ~ 36 N.m
Ø15,88 mm	45 ~ 47 N.m
Ø19,05mm	65 ~ 67 N.m

4.2.2 Odaberite prikladan izolacijski materijal za cijev rashladnog sredstva. (min. 10 mm, termalna izolacijska pjena C)

- Upotrijebite odvojene termalne izolacijske cijevi za plin i tekućinu.
- Gore navedena debljina standardna je za unutarnju temperaturu od 27 °C i vlažnost zraka od 80%. Ugrađujete li uređaj u nepovoljnim uvjetima kao što su blizina kupaonice, kuhinje i sličnih mjesta, pojačajte izolaciju.
- Izolacija mora biti otporna na temperature više od 120 °C.
- Na spojnim dijelovima izolacije nanosite ljepilo kako biste spriječili prodor vlage.
- Popravite i prekriti eventualne pukotine u izolaciji; posebno provjerite savinute dijelove te ovjes cijevi.

OPREZ

- Ako je potrebno lemljenje, radite u dušikovoj atmosferi.
- Neprikladan zakretni moment može oštetiti proširenje ili uzrokovati curenje plina.

4. PROVOĐENJE CIJEVI RASHLADNOG SREDSTVA

4.3 CIJEV RASHLADNOG SREDSTVA

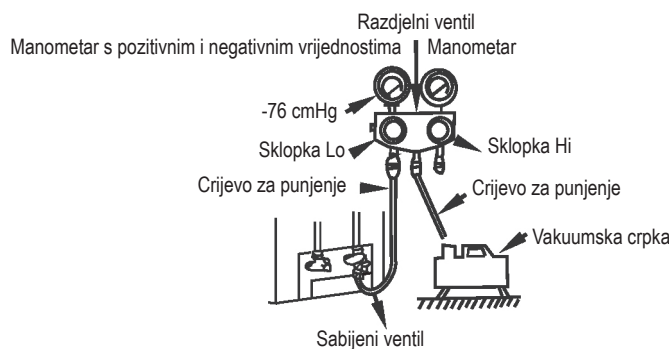
Model (38QUS)	Strana tekućine	Plinska strana	Dopuštena duljina cijevi (m)	Maks. visinska razlika (m)	Duljina dijela cijevi bez punjenja (m)	Dodatno punjenje po metru (R410A/R32)
009/012	Ø6,35 mm	Ø9,52 mm	25	10	5	15/12 g/m
018	Ø6,35 mm	Ø12,7 mm	30	20	5	15/12 g/m

NAPOMENA: 1) Koristite odgovarajuće alate za sustav R410A/R32;

2) Kad je cijev dulja od 5 m, treba dodati još hladila u skladu s duljinom cijevi.

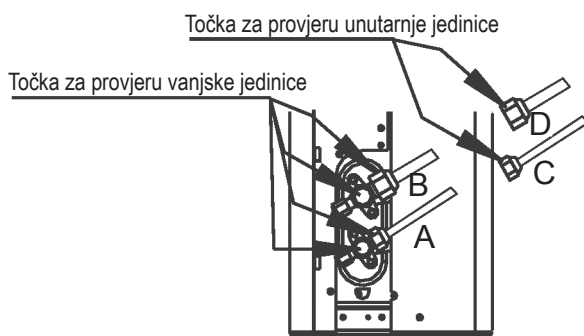
4.4. IZVLAČENJE ZRAKA

- Spojite crijevo za punjenje iz razdjelnog ventila u servisni priključak sabijenog ventila s plinske strane.
- Spojite crijevo za punjenje na priključak vakuumske crpke.
- Potpuno otvorite sklopku Lo razdjelnog ventila.
- Vakuuskom crpkom ispustite zrak iz sustava do tlaka 76 cmHg.
- Zatvorite sklopku Lo razdjelnog ventila.
- Potpuno otvorite tijelo zabrtvljenih ventila.
- Uklonite crijevo za punjenje sa servisnog priključka.
- Dobro zategnite poklopce sabijenog ventila.



4.5. ISPITIVANJE CURENJA

Nakon dovršetka provođenja cijevi provjerite spojeve svake rashladne cijevi i uvjerite se da nigdje ne curi plin nanošenjem sapunice ili s pomoću detektora curenja namijenjenog za rashladna sredstva HFC. Pogledajte sliku u nastavku radi detaljnijeg prikaza.



A: Niskotlačni stop-ventil

B: Visokotlačni zaporni ventil

C i D: Široke matice unutarnje jedinice

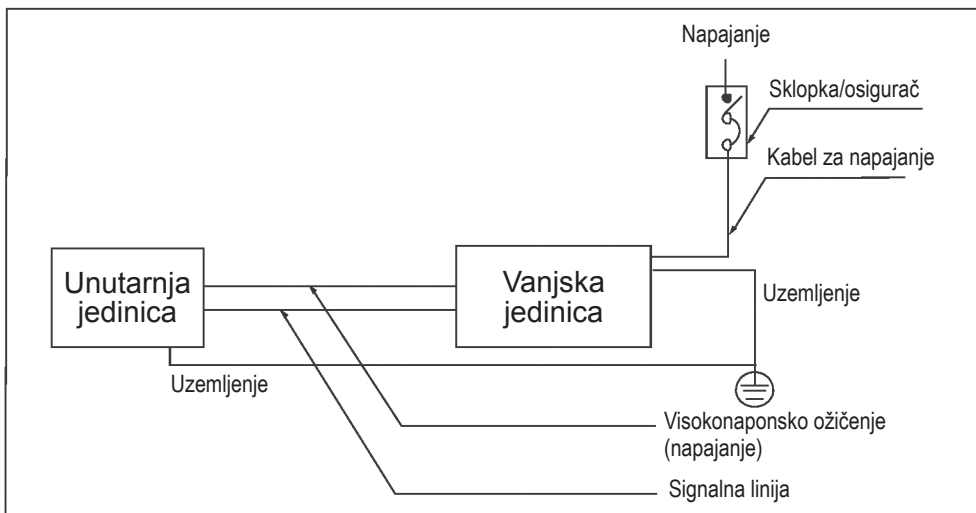
5. OŽIČENJE

OPREZ

- Sve električne spojeve mora izvesti kvalificirani instalater, a sve žice moraju biti povezane u skladu s dijagramom ožičenja.
- Izvršite uzemljenje prije svih drugih električnih spojeva.
- Svi izvori napajanja moraju biti isključeni prije početka elektroinstalacijskih radova; ne uključujte uređaj prije dovršetka sigurnosne provjere čitavog ožičenja.
- Potrebno je ugraditi glavnu sklopku i prekidač ili osigurač. Kapacitet mora biti više od 1,5 puta veći od maksimalne struje u strujnom krugu.
- Mora biti dostupna zasebna grana strujnog kruga i zasebna utičnica koja se upotrebljava samo za ovaj uređaj.
- Presjek žice ovisi o nazivnoj struji te državnim i lokalnim propisima o električnim instalacijama. Provjerite odgovarajuće posebne odredbe lokalnih građevinskih i elektroinstalacijskih propisa.
- Ako je kabel za napajanje oštećen, treba ga zamijeniti proizvođač, ovlašteni serviser ili druga kvalificirana osoba kako bi se izbjegla opasnost.
- Jedinica mora biti priključena na glavni izvor napajanja putem prekidača ili sklopke s minimalnim razmakom između kontakata na svim polovima od 3 mm. Preporučuje se ugradnja zaštitnog uređaja diferencijalne struje s operativnom diferencijalnom strujom koja ne prelazi 30 mA.

5.1 NAPAJANJE S VANJSKE STRANE

- Dijagram ožičenja



- Specifikacija napajanja i spojnih vodova

Način rada (Btu/h)		9 k	12 k	18 k
Izvor napajanja	Faza	1-fazno	1-fazno	1-fazno
	Frekvencija i volti	220-240 V ~ 50 Hz	220-240 V ~ 50 Hz	220-240 V ~ 50 Hz
Nazivna struja		10 A	10 A	11 A
Nazivna snaga osigurača (napajanje na terenu)		20 A	20 A	20 A
Žica za napajanje (napajanje na terenu)		H07RN-F; 3 × 2,5 mm ²	H07RN-F; 3 × 2,5 mm ²	H07RN-F; 3 × 2,5 mm ²
Unutarnje/vanjsko povezivanje vodova (napajanje na terenu)		H07RN-F; 4 × 1,5 mm ²	H07RN-F; 4 × 1,5 mm ²	H07RN-F; 4 × 2,5 mm ²

NAPOMENA O SPECIFIKACIJAMA OSIGURAČA:

(primjenjivo na jedinice koje upotrebljavaju samo rashladno sredstvo R32 i osigurač od keramike.)

1. Specifikacija osigurača vanjske jedinice jest T20A/250VAC (za uređaj < 24000 Btu/h), T30A/250VAC (za uređaj > 24000 Btu/h)
2. Specifikacija osigurača unutarnje jedinice jest T5A/250VAC, T10A/250VAC.

6. ZAVRŠNE PROVJERE I POKUSNI RAD

6.1. POPIS ZAVRŠNIH PROVJERA

Kako biste dovršili ugradnju, obavite sljedeće provjere prije pokusnog rada.

- Izdržljivost mjesta ugradnje i na unutarnjoj i na vanjskoj strani; uvjerite se da ništa ne blokira usis i ispuh zraka jedinice.
- Nepropusnost cijevi rashladnog sredstva; uvjerite se da nema curenja.
- Električno ožičenje ispravno je dovršeno, a jedinica uzemljena.
- Provjerite ukupnu duljinu cijevi i zabilježite količinu dodatnog rashladnog sredstva.
- Napajanje mora odgovarati nazivnom naponu klimatizacijskog uređaja.
- Izolacija cijevi.
- Odvod.

6.2. RUČNO UPRAVLJANJE

Ručnom upravljanju pristupa se pritiskom na tipku za ručno upravljanje na ploči zaslona.

Pritišćite gumb za ručno upravljanje kako biste promijenili način rada kako slijedi:

- Jednom = način rada AUTO [grijanje, hlađenje ili ventilator na 24 °C te automatski odabrana brzina ventilatora].
- Dvaput = način rada COOLING [prebacuje se na način rada AUTO nakon 30 minuta (uglavnom se upotrebljava za pokusni rad)]
- Triput = isključeno (OFF)

6.3 POKUSNI RAD

Postavite klimatizacijski uređaj na način rada COOLING daljinskim upravljačem (ili tipkom za ručno upravljanje) i uvjerite se da i unutarnja i vanjska jedinica rade. U slučaju bilo kakvih problema, riješite ih prema uputama u poglavlju „Otklanjanje poteškoća” u „Servisnom priručniku”.

Unutarnja jedinica

- Rade li ispravno tipke na daljinskom upravljaču (ON/OFF, MODE, TEMPERATURE, FAN SPEED itd.)?
- Pomiče li se klapna normalno?
- Mijenja li se prikladno temperatura prostorije?
- Jesu li indikatori na zaslonu normalni?
- Radi li ispravno tipka „manual” (ručno upravljanje)?
- Je li odvod normalan?
- Jesu li pri radu prisutne vibracije ili neuobičajeni zvukovi?
- Radi li unutarnja jedinica ispravno u načinima rada COOLING i HEATING?

Vanjska jedinica

- Jesu li pri radu prisutne vibracije ili neuobičajeni zvukovi?
- Uznemiravaju li vjetar, buka ili kondenzat koje stvara klimatizacijski uređaj vaše susjede?
- Curi li gdje rashladno sredstvo?



OPREZ

- Prilikom ponovnog pokretanja uređaja doći će do odgode od otprilike 3 minute da biste se mogli skloniti na sigurno.

7. INFORMACIJE O SERVISIRANJU

7.1 PODRUČJA ZA PROVJERU

Prije početka rada na sustavima koji sadrže zapaljiva rashladna sredstva potrebno je provesti sigurnosne provjere kako bi se što više umanjila opasnost od zapaljenja. Za popravak rashladnog sustava, prije izvođenja radova na sustavu potrebno je poduzeti sljedeće mjere opreza.

7.2 POSTUPAK RADA

Radovi se moraju izvoditi kontroliranim postupkom kako bi se minimalizirala opasnost od zapaljivog plina ili isparavanja koji nastaju tijekom rada.

7.3 OPĆE PODRUČJE RADA

Sve osoblje koje radi na održavanju ili u lokalnom području mora biti upoznato s vrstom radova koji se izvode. Izbjegavajte rad u zatvorenim prostorima. Područje oko područja rada treba odvojiti. Osigurajte da je provedena provjera svih zapaljivih materijala i da su ispunjeni svi uvjeti za siguran rad.

7.4 PROVJERA PRISUTNOSTI RASHLADNOG SREDSTVA

Područje treba provjeriti odgovarajućim detektorom rashladnog sredstva prije i tijekom rada kako bi se osiguralo da je tehničar svjestan potencijalno zapaljivog zraka. Osigurajte da je oprema za detekciju curenja koja se upotrebljava prikladna za upotrebu sa zapaljivim rashladnim sredstvima, npr. nema iskrenja, adekvatno brtvljenje ili intrinzična sigurnost.

7.5 POSTOJANJE APARATA ZA GAŠENJE POŽARA

Ako je potrebno izvoditi radove na opremi rashladnog sustava ili povezanim dijelovima, pri ruci mora biti odgovarajuća oprema za gašenje požara. Morate imati sustav za gašenje požara prahom ili ugljičnim dioksidom (CO₂) u blizini područja punjenja.

7.6 BEZ IZVORA ZAPALJENJA

Nijedna osoba koja izvodi radove na rashladnom sustavu koji uključuju izlaganje cijevi koje sadrže ili koje su sadržavale zapaljivo rashladno sredstvo ne smije upotrebljavati izvore zapaljenja na način koji može prouzročiti opasnost od požara ili eksplozije. Svi mogući izvori zapaljenja, uključujući pušenje cigareta, moraju biti dovoljno udaljeni od mjesta ugradnje, popravka, uklanjanja i odlaganja uređaja, pri kojima može doći do otpuštanja zapaljivog rashladnog sredstva u okolno područje. Prije izvođenja radova potrebno je pregledati područje oko opreme kako bi se osiguralo da ne postoji opasnost od zapaljenja. Potrebno je postaviti znakove "ZABRANJENO PUŠENJE".

7.7 PROZRAČENO PODRUČJE

Osigurajte da je područje na otvorenom ili da je prikladno prozračeno prije ulaza u sustav ili provođenja radova. Određeni stupanj prozračivosti mora postojati i tijekom izvođenja radova. Prozračivanje treba na siguran način raspršivati sve otpušteno rashladno sredstvo i po mogućnosti izbaciti ga prema van u atmosferu.

7.8 PROVJERE OPREME RASHLADNOG SUSTAVA

U slučaju zamjene električnih komponenti potrebno je osigurati da su zamijenjene komponentama koje odgovaraju svrsi i odgovarajućim specifikacijama. Uvijek je potrebno pridržavati se uputa proizvođača za održavanje i servisiranje. Ako niste sigurni, zatražite pomoć tehničkog odjela proizvođača. Instalacije treba provjeriti izvođenjem sljedećih provjera pomoću zapaljivih rashladnih sredstava:

7. INFORMACIJE O SERVISIRANJU

- veličina punjenja u skladu je s veličinom prostorije u kojoj su ugrađeni dijelovi koji sadrže rashladno sredstvo;
- ventilacijski uređaji i izlazi rade pravilno bez smetnji;
- ako se upotrebljava neizravni optok rashladnog sredstva, treba provjeriti ima li rashladnog sredstva u sekundarnim optocima; oznake na opremi moraju biti vidljive i čitke.
- nečiste oznake i znakovi moraju se ispraviti;
- cijevi ili komponente rashladnog sustava ugrađene su u položaju u kojem ne može doći do izlaganja tvarima koje mogu korodirati komponente koje sadrže rashladno sredstvo osim ako komponente nisu napravljene od materijala koji su otporni na koroziju ili su na odgovarajući način zaštićeni od korozije.

7.9 PROVJERA ELEKTRIČNIH UREĐAJA

Popravak i održavanje električnih komponenti trebaju uključivati početne sigurnosne provjere i postupke pregleda komponenti. Ako postoji kvar koji može utjecati na sigurnost, ni jedan dovod električne energije ne smije se priključiti na strujni krug dok se problem ne riješi. Ako se kvar ne može odmah ukloniti, ali je neophodno nastaviti rad, potrebno je primijeniti odgovarajuće privremeno rješenje. To je potrebno prijaviti vlasniku opreme kako bi sve strane bile upućene.

Početne sigurnosne provjere uključuju sljedeće:

- kondenzatori su ispražnjeni: to treba učiniti na siguran način kako bi se izbjegla mogućnost iskrenja
- aktivne električne komponente i kabeli nisu izloženi tijekom punjenja, uklanjanja sredstva ili pročišćavanja sustava;
- postoji kontinuirano uzemljenje.

7.10 POPRAVCI ZABRTVLJENIH KOMONENTI

- 10.1 Tijekom izvođenja popravaka na zabrtvljenim komponentama potrebno je isključiti sve električne uređaje iz opreme na kojoj se radi prije uklanjanja zabrtvljenih poklopaca i sl. Neophodno je uspostaviti dovod struje za opremu tijekom servisiranja te treba postaviti stalni oblik detekcije curenja na najvažnijoj točki koji će upozoravati na potencijalno opasne situacije.
- 10.2 Posebnu pažnju treba posvetiti sljedećem kako bi se osiguralo da tijekom izvođenja radova na električnim komponentama neće doći do izmjene kućišta koja može ugroziti stupanj zaštite. To uključuje oštećenje kabela, prekomjeran broj spojeva, terminale koji nisu izvedeni u skladu s izvornim specifikacijama, oštećenja brtvi, neispravno postavljene brtve i sl.
- Provjerite je li uređaj ispravno postavljen.
 - Provjerite da brtve ili materijal za brtvljenje nisu istrošeni u mjeri u kojoj više ne služe svrsi sprječavanja ulaza zapaljivog zraka. Zamjenski dijelovi moraju odgovarati specifikacijama proizvođača.

NAPOMENA: Upotreba silikonskog brtvila može utjecati na učinkovitost neke vrste opreme za detekciju curenja. Sigurne komponente ne moraju se izolirati prije izvođenja radova.

7.11 POPRAVAK SIGURNIH KOMONENTI

Nemojte primjenjivati stalna induktivna ili kapacitivna opterećenja na strujni krug prije nego što osigurate da neće premašiti dopušteni napon i struju za tu opremu. Sigurne komponente jedine su komponente na kojima se smije raditi u prisutnosti zapaljivog zraka. Testni uređaj mora imati odgovarajući napon. Zamijenite komponente samo dijelovima koje je odobrio proizvođač. Upotreba drugih dijelova može rezultirati zapaljenjem rashladnog sredstva u zraku iz točke curenja.

7. INFORMACIJE O SERVISIRANJU

7.12 KABELI

Provjerite da kabeli nisu izloženi habanju, koroziji, prekomjernoj sili, vibraciji, oštrim rubovima ili drugim štetnim utjecajima. Provjera također treba uzeti u obzir i učinke starenja ili stalnih vibracija iz izvora kao što su kompresori ili ventilatori.

7.13 DETEKCIJA ZAPALJIVOG RASHLADNOG SREDSTVA

Ni u kojim se uvjetima potencijalni izvori zapaljenja ne smiju upotrebljavati prilikom traženja ili detekcije curenja rashladnog sredstva. Ne smije se upotrebljavati metal-halogeno lampa (ili neki drugi detektor s otvorenim plamenom).

7.14 METODE DETEKCIJE CURENJA

Sljedeće metode detekcije curenja smatraju se prihvatljivima za sustave sa zapaljivim rashladnim sredstvima. Elektronički detektori curenja trebaju se upotrebljavati za detekciju zapaljivih rashladnih sredstava, ali osjetljivost možda ne bude odgovarajuća ili će biti potrebna ponovna kalibracija. (Oprema za detekciju treba se kalibrirati u području bez rashladnog sredstva). Pazite da detektor nije potencijalni izvor zapaljenja i da odgovara rashladnom sredstvu. Oprema za detekciju curenja treba se postaviti na postotak LFL-a rashladnog sredstva i treba se kalibrirati prema upotrijebljenom rashladnom sredstvu. Također treba potvrditi odgovarajući postotak plina (najviše 25 %). Tekućine za detekciju curenja prikladne su za upotrebu s većinom rashladnih sredstava, ali treba izbjegavati upotrebu deterdženata koji sadrže smo klor jer klor može reagirati s rashladnim sredstvom i korodirati bakrene cijevi. Ako postoji sumnja na curenje, treba ukloniti ili ugasiti svaki otvoreni plamen. Ako se utvrdi curenje rashladnog sredstva za čije je rješavanje potrebno lemljenje, potrebno je ispustiti cjelokupno rashladno sredstvo iz sustava ili ga izolirati (pomoću zapornih ventila) u dijelu sustava koji je udaljen od curenja. Zatim kroz sustav treba pustiti dušik bez kisika (OFN) prije i tijekom postupka lemljenja.

7.15 UKLANJANJE I IZVLAČENJE

Kada se izvode radovi na optoku rashladnog sredstva ili u drugu svrhu, primjenjuju se uobičajeni postupci. Međutim, važno je pridržavati se najboljih praksi jer lako može doći do zapaljenja. Pridržavajte se sljedećeg postupka:

- uklonite rashladno sredstvo;
- pročistite optok inertnim plinom;
- ispraznite;
- pročistite ponovno inertnim plinom;
- otvorite optok rezanjem ili lemljenjem.

Količina rashladnog sredstva treba se vratiti u odgovarajuće cilindre. Sustav treba pročistiti pomoću OFN-a kako bi jedinica bila sigurna. Postupak će možda biti potrebno ponoviti nekoliko puta.

Komprimirani zrak ili kisik ne smije se upotrebljavati za taj postupak.

Ispiranje treba provesti tako što ćete prekinuti vakuum sustava OFN-om i nastaviti ga puniti dok ne postignete radni tlak, a zatim ga ispustiti u atmosferu i smanjivati do vakuuma. Postupak treba ponavljati dok se iz sustava potpuno ne ukloni rashladno sredstvo.

Ako se upotrebljava konačna količina OFN-a, sustav treba ventilirati do atmosferskog tlaka kako bi se moglo započeti s radom. Taj je postupak ključan ako se izvodi lemljenje na cijevima. Provjerite da izlaz vakuumske crpke nije zatvoren za izvore paljenja i da postoji ventilacija.

7. INFORMACIJE O SERVISIRANJU

7.16 POSTUPAK PUNJENJA

Uz uobičajene postupke punjenja, potrebno je ispuniti sljedeće zahtjeve:

- Osigurajte da ne dođe do kontaminacije različitih rashladnih sredstava prilikom upotrebe opreme za punjenje. Crijeva ili vodovi trebaju biti što kraći kako bi se minimalizirala količina rashladnog sredstva koje sadrže.
- Cilindri trebaju biti uspravni.
- Osigurajte da je rashladni sustav uzemljen prije punjenja rashladnim sredstvom.
- Označite sustav nakon dovršetka punjenja (ako nije već označen).
- Budite iznimno oprezni da prekomjerno ne napunite rashladni sustav.
- Prije ponovnog punjenja sustava provjerite tlak pomoću OFN-a. Nakon završetka punjenja, ali prije puštanja u rad, provjerite ima li curenja. Dodatni test curenja

7.17 STAVLJANJE IZVAN POGONA

Prije provođenja tog postupka ključno je da je tehničar potpuno upoznat s opremom i svim njezinim dijelovima. Preporučuje se sigurno vraćanje svih rashladnih sredstava. Prije izvođenja postupka treba uzeti uzorak ulja i rashladnog sredstva.

U slučaju da je potrebna analiza prije ponovne upotrebe rashladnog sredstva. Ključno je da električna energija bude dostupna prije izvođenja zadatka.

- a) Upoznajte se s opremom i načinom rada.
- b) Električno izolirajte sustav
- c) Prije izvođenja postupka osigurajte sljedeće:
 - dostupna je oprema za mehanički rad, po potrebi, za cilindre rashladnog sredstva;
 - dostupna je sva osobna zaštitna oprema i ispravno se upotrebljava;
 - postupak uklanjanja u svakom trenutku nadzire kompetentna osoba;
 - oprema i cilindri za oporavak u skladu su s odgovarajućim normama.
- d) Ako je moguće, ispraznite rashladni sustav.
- e) Ako vakuum nije moguć, napravite razvodnik kako bi se rashladno sredstvo moglo ukloniti iz različitih dijelova sustava.
- f) Provjerite na skalama da je cilindar na mjestu prije uklanjanja.
- g) Pokrenite uređaj za uklanjanje u skladu s uputama proizvođača.
- h) Nemojte prekomjerno napuniti cilindre. (Ne više od 80 % volumena punjenja tekućine).
- i) Nemojte prekoračivati maksimalni radni tlak cilindara, čak ni privremeno.
- j) Kada su cilindri ispravno napunjeni i postupak završen, odmah uklonite cilindre i opremu te zatvorite sve izolacijske cilindre na opremi.
- k) Uklonjeno rashladno sredstvo ne smije se puniti u drugi rashladni sustav osim ako nije očišćeno i provjereno.

7.18 OZNAČAVANJE

Opremu je potrebno označiti s napomenom da je stavljena izvan pogona i da je rashladno sredstvo uklonjeno. Oznaku treba vremenski označiti i potpisati. Osigurajte da se na opremi nalaze oznake koje ukazuju na to da oprema sadrži zapaljivo rashladno sredstvo.

7. INFORMACIJE O SERVISIRANJU

7.19 UKLANJANJE RASHLADNOG SREDSTVA

- Prilikom uklanjanja rashladnog sredstva iz sustava radi servisiranja ili stavljanja izvan pogona, preporučuje se potpuno sigurno uklanjanje rashladnog sredstva.
- Pri prijenosu rashladnog sredstva u cilindre osigurajte da se upotrebljavaju samo odgovarajući cilindri za uklanjanje. Osigurajte da je na raspolaganju točan broj cilindara za primanje ukupne količine iz sustava. Svi cilindri koji se upotrebljavaju namijenjeni su za uklanjanje rashladnog sredstva i označeni za to rashladno sredstvo (npr. posebni cilindri za uklanjanje rashladnog sredstva). Cilindri moraju imati ispravan ventil za ispuštanje tlaka i zaporne ventile.
- Prazni cilindri za uklanjanje moraju se odstraniti i po mogućnosti ohladiti prije uklanjanja.
- Oprema za uklanjanje mora biti ispravna i imati upute za upotrebu opreme te mora biti prikladna za uklanjanje zapaljivih rashladnih sredstava. Uz to, na raspolaganju mora biti ispravan komplet kalibriranih mjernih uređaja.
- Crijeva moraju imati ispravne spojke za odvajanje otporne na curenje. Prije upotrebe uređaja za uklanjanje provjerite je li ispravan, je li održavanje ispravno provedeno i jesu li sve povezane električne komponente zabrtvljene radi sprječavanja zapaljenja u slučaju otpuštanja rashladnog sredstva. U slučaju nedoumice obratite se proizvođaču.
- Uklonjeno rashladno sredstvo treba vratiti u dovod rashladnog sredstva u odgovarajućem cilindru i postaviti napomenu o prijenosu otpada. Nemojte miješati rashladna sredstva u jedinicama za uklanjanje i osobito ne u cilindrima.
- Ako treba ukloniti kompresore ili ulja kompresora, osigurajte da su na prihvatljivoj razini kako biste osigurali da se unutar podmazivača ne zadržava zapaljivo rashladno sredstvo. Postupak uklanjanja treba obaviti prije vraćanja kompresora u dovod. Za ubrzavanje postupka smije se primijeniti samo električno grijanje tijela kompresora. Ulje iz sustava mora se pažljivo ispustiti.

7.20 TRANSPORT, OZNAČAVANJE I SKLADIŠTENJE JEDINICA

1. Transport opreme koja sadrži zapaljiva rashladna sredstva
Usklađenost s transportnim propisima
2. Označavanje opreme
Usklađenost s lokalnim propisima
3. Odlaganje opreme koja sadrži zapaljiva rashladna sredstva
Usklađenost s nacionalnim propisima
4. Skladištenje opreme/uređaja

Skladištenje opreme mora se izvesti u skladu s uputama proizvođača.

5. Skladištenje zapakirane (neprodane) opreme

Zaštita ambalaže za skladištenje treba se izvesti tako da ne postoji mogućnost mehaničkog oštećenja opreme kako ne bi došlo do curenja rashladnog sredstva.

Maksimalan broj dijelova opreme koji se mogu zajedno skladištiti utvrđen je lokalnim propisima.

A termékről megállapították, hogy megfelel az Európai Unió kifizetésű berendezésekre vonatkozó irányelvének (2014/35/EK) és az elektromágneses zavarvédelemre vonatkozó irányelvének (2014/30/EK).



A termék hulladékként való kezelése (hulladék elektromos és elektronikus berendezés)

(A légkondicionáló európai országokban való használatakor a következő útmutatást kell követni)

- A terméken vagy annak dokumentációjában feltüntetett jelölés azt jelzi, hogy az elektromos és elektronikus berendezések hulladékait (WEEE, mint a 2012/19 / EU irányelv szerint) nem szabad összekeverni az általános háztartási hulladékkal. Ezt a készüléket tilos kommunális hulladékban elhelyezni.

Az ártalmatlanításra különböző lehetőségek vannak:

1. Hatóságilag működtetett hulladékkezelő rendszer, ahol az elektronikus hulladékot a felhasználó ingyenesen kidobhatja.
2. Új termék vásárlásakor a kereskedő ingyenesen átveszi a régi terméket.
3. A gyártó ingyenes visszaveszi ártalmatlanításra a régi készüléket a felhasználótól.
4. Mivel a régi termékek értékes nyersanyagokat tartalmaznak, ezért eladhatók hulladékfém-felvásárlóknak.

A hulladék erdőkben és környezetben történő elhelyezése veszélyezteti az ön egészségét, mivel veszélyes anyagok szivároghatnak be a talajvízbe és bejuthatnak a táplálékláncba.

A termék a kiotói jegyzőkönyv hatálya alá tartozó fluortartalmú gázokat tartalmaz

A gáz kémiai neve

R410A / R32

A gáz globális felmelegedési potenciálja (GWP)

2088 / 675

FIGYELMEZTETÉS

1. Ragassza fel a mellékelt hűtőközegcímke-t a töltési és/vagy visszanyerési hely közelében.
2. Eltávolíthatatlan tintával egyértelműen írja fel a hűtőközegcímke-re a hűtőközeg betöltött mennyiségét.
3. Előzze meg a fluortartalmú gáz kiáramlását. Ügyeljen arra, hogy a fluortartalmú gáz ne kerülhessen a levegőbe a telepítés, a karbantartás és az ártalmatlanítás során. Ha a fluortartalmú gáz szivárgása észlelhető, a szivárgást azonnal meg kell szüntetni, és a javítást a lehető leggyorsabban végre kell hajtani.
4. A termék karbantartását kizárólag megfelelően képzett szakemberek végezhetik.
5. A termékben lévő fluortartalmú gáz bármilyen kezelését, például a termék áthelyezésekor vagy a gáz újratöltésekor, az üvegházhatású fluortartalmú gázokra vonatkozó EK 517/2014 számú szabályzatnak és a vonatkozó helyi törvényeknek megfelelően kell végrehajtani.
6. Ha bármilyen kérdése van, forduljon a forgalmazóhoz vagy a telepítőhöz.

Beltéri egység	Méret (beltéri)	Kültéri egység	Méret (kültéri)	Névleges feszültség és Hz
42QZA009DS*	700 × 600 × 210	38QUS009DS*	770 × 300 × 555	
42QZA012DS*	700 × 600 × 210	38QUS012DS*	800 × 333 × 554	220–240 V~, 50 Hz
42QZA012D8S*	700 × 600 × 210	38QUS012D8S*	800 × 333 × 554	
42QZA018DS*	700 × 600 × 210	38QUS018DS*	800 × 333 × 554	

A gyártó fenntartja magának jogot a termék műszaki adatainak előzetes értesítés nélküli megváltoztatására.

TARTALOM

1. A FELSZERELÉS ELŐKÉSZÍTÉSE	3
1.1. Biztonsági óvintézkedések	3
1.2. Tartozékok	4
2. A BELTÉRI EGYSÉG FELSZERELÉSE	6
2.1. Telepítési helyszín választása	6
2.2. A beltéri egység felszerelése	7
2.3. A csövek és a kábelek csatlakoztatása	7
2.4. A leeresztőtömlő felszerelése	8
3. A KÜLTÉRI EGYSÉG FELSZERELÉSE	9
3.1. Telepítési helyszín választása	9
3.2. A kültéri egység szerelési méretei	9
3.3. A kültéri egység helyigénye	10
3.4. A kültéri egység felszerelése	10
3.5. A vízvezető csővezeték felszerelése a kültéri egységnél	10
4. A HŰTŐKÖZEG CSŐVEZETÉKEZÉSI MUNKÁI	11
4.1. Peremezés	11
4.2. Csővezetékezési munka	11
4.3. Hűtőközegcső	12
4.4. Légtelenítés	12
4.5. Tömítettségvizsgálat	12
5. KÁBELEZÉS	13
6. VÉGSŐ ELLENŐRZÉS ÉS PRÓBAÜZEM	14
6.1. A végső ellenőrzés lépései	14
6.2. Kézi működtetés	14
6.3. Próbaüzem	14
7. SZERVIZELÉSI TUDNIVALÓK	15



Figyelmeztetés: Tűzveszély csak az
R32 / R290 hűtőközeg esetében

1. A FELSZERELÉS ELŐKÉSZÍTÉSE

1.1. BIZTONSÁGI ÓVINTÉZKEDÉSEK

- A légkondicionáló berendezés felszerelése, beüzemelése és karbantartása veszélyes lehet a rendszeren belüli nyomás, az elektromos alkatrészek és a berendezés elhelyezése (tető, emelt szerkezetek stb.) miatt.
- A berendezés felszerelését, beüzemelését és karbantartását kizárólag szakképzett, jogosult telepítési és karbantartási szakember végezheti.
- A berendezésen való munkánál tartsa be az útmutatóban, valamint a berendezésen elhelyezett címkéken és feliratokon jelzett óvintézkedéseket.
- Kövesse az összes biztonsági szabályt. Viseljen védőszemüveget és kesztyűt. Forrasztásnál tartson a közelben oltóruhát és tűzoltó készüléket. Nagy tömegű berendezés kezelésekor, felszerelésekor és beállításakor körültekintően járjon el.
- Olvassa el figyelmesen ezeket az utasításokat, és maradéktalanul tartsa be az útmutatóban és a berendezésen elhelyezett összes figyelmeztetést és óvintézkedést. A különleges követelményeknél vegye figyelembe az épületekre vonatkozó helyi szabályokat és az országos elektromos előírásokat.

VIGYÁZAT

Ez a szimbólum személyi és akár életveszélyes sérülés lehetőségét jelzi.

- **A hűtőgáz nehezebb a levegőnél, és az oxigén helyére lép. A jelentős szivárgás oxigénhiányhoz vezethet, különösen az alagsorban, és ekkor fennáll a fulladás veszélye, ami súlyos sérülést vagy akár halált okozhat.**
- **Ha a légkondicionálót kisméretű helyiségben szerelik fel, megfelelő intézkedésekkel biztosítani kell, hogy a hűtőközeg szivárgásánál a koncentráció ne haladja meg a kritikus szintet.**
- **Ha a telepítés során a hűtőközeg szivárogni kezd, akkor azonnal szellőztesse ki a helyiséget.**
A hűtőközezből mérgező gáz keletkezhet, ha meleggel érintkezik, amely fűtőberendezésből, kályhából vagy tűzhelyből származhat.
Az ilyen gáz belélegzése súlyos sérülést vagy akár halált okozhat.
- **Elektromos karbantartási munka végrehajtása előtt mindig válassza le a tápellátást. Az összekötő kábelt csatlakoztassa megfelelően.**
A helytelen csatlakoztatás az elektromos alkatrészek károsodásához vezethet.
- **Az elektromos bekötésekhez az előírt kábeleket használja, és rögzítse ezeket szorosan a csatlakozóegységhez úgy, hogy ne hasson külső erő az egységre.**
- **Ügyeljen a megfelelő földelés biztosítására.**
Ne földelje a készülékeket gáz- vagy vízvezetékhez, villámhárítóhoz vagy telefon földvezetékéhez. Az elégtelen földelés áramütést okozhat, ami súlyos sérüléshez vagy akár halálhoz vezethet.
- **Ügyeljen a csomagolóanyagok biztonságos kezelésére.**
A csomagolóanyagok, például szegek és más fém vagy fa alkatrészek szúrt sebet vagy egyéb sérülést okozhatnak. Tépje szét és dobja ki a műanyag csomagolózsákokat, hogy a gyerekek ne játszhassanak ezekkel. A műanyag zsákokkal játszó gyerekeknél fennáll a fulladás veszélye.
- **Tilos a készüléket gyúlékony gázok környezetében üzembe helyezni.**
- **Ügyeljen a mellékelt és a pontosan megadott szerelési alkatrészek használatára.**
Egyéb alkatrészek használata az egység kiesését, vízszivárgást, áramütést, tüzet vagy a berendezés károsodását okozhatja.
- **A rendszer telepítésekor vagy áthelyezésekor ügyeljen arra, hogy a megadott hűtőközeget (R410A/R32) kívül levegő és semmilyen más anyag ne jusson be a hűtőkörbe.**
- **Tilos az egységet átalakítani úgy, hogy biztonsági eszközöket távolítsanak el belőle, vagy biztonsági alrendszereket hatástalanítsanak.**
- **Az elektromos szerelést a szerelési útmutató, valamint az országos és helyi elektromos kábelezési szabályok szerint kell végrehajtani.**
- **Ügyeljen a külön tápellátási áramkör használatára. Ugyanazt a tápaljzatot ne ossza meg más berendezésekkel.**

1. A FELSZERELÉS ELŐKÉSZÍTÉSE

VIGYÁZAT

- A hőkioldás váratlan alaphelyzetbe állása veszélyének elkerülése érdekében a berendezést nem szabad külső kapcsolóeszközön, például időzítőn keresztül működtetni, illetve olyan áramkörhöz csatlakoztatni, amelyet rendszeres időközönként be- és kikapcsolnak.
- Az elektromos bekötéshez az előírt kábeleket használja, amelyek a megfelelő hőmérséklet-tartományba eső szigeteléssel rendelkeznek.
A nem megfelelő kábelek szivárgást, rendellenes hőtermelődést vagy tüzet okozhatnak.
MEGJEGYZÉS: A következő információk a R32 / R290 hűtőközeggel működő berendezésekre vonatkoznak.
- A készüléket folyamatosan működő gyújtóforrások nélküli helyiségben kell tárolni. (pl. nyílt láng, működő gázkészülék vagy működő elektromos fűtő).
- Ne lyukassza ki vagy gyújtsa meg.
- Ne feledje, hogy bizonyos hűtőközegek szagtalanok lehetnek.
- Tartsa be a nemzeti gázszerelési előírásokat.
- A készüléket jól szellőztetett helyen kell tárolni, ahol a helyiség mérete megegyezik a működtetéshez előírttal.
- A készüléket X m²-nél nagyobb padlófelületű helyiségben kell felszerelni, üzemeltetni és tárolni, a csőszerelést legkevesebb X m²-esre kell szerelni (lásd a következő űrlapot).
- A készüléket nem szabad nem szellőztetett helyre telepíteni, ha a helyiség X m²-nél kisebb (Kérjük, olvassa el az alábbi űrlapot). Olyan helyek, ahol a hűtőközegcsöveknek meg kell felelniük a nemzeti gázsabályoknak.

Modell (Btu / h)	A feltöltendő hűtőközeg mennyisége (kg)	maximális beépítési magasság (m)	Minimális alapterület (m ²)
≤30 000	≤2,048	1,8m	4
		0,6m	35
30 000-48 000	2,048-3,0	1,8m	8
		0,6m	80
> 48 000	> 3,0	1,8m	9
		0,6m	80

Megjegyzés a fluorozott gázokról

- Ez a légkondicionáló egység fluorozott gázokat tartalmaz. A gáz típusával és az összmennyiséggel kapcsolatos pontos információkért kérjük, olvassa el a készülék megfelelő címkéjét.
- A készülék beszerelését, szervizelését, karbantartását és javítását kizárólag szakember végezheti.
- A termék eltávolítását és újrahasznosítását szakembernek kell elvégeznie.
- Ha a berendezés szivárgásérzékelő rendszerrel rendelkezik, legalább 12 havonta ellenőrizni kell a szivárgást.
- A szivárgás ellenőrzésekor megfelelő nyilvántartást kell vezetni.

1. A FELSZERELÉS ELŐKÉSZÍTÉSE

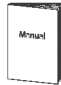




FIGYELMEZTETÉS

Ez a szimbólum anyagi kár és súlyos következmények lehetőségét jelzi.

- A személyi sérülések elkerülése érdekében óvatosan bánjon az éles szélű alkatrészekkel.
- Ne telepítse a beltéri és a kültéri egységet különleges környezeti feltételekkel rendelkező helyre.
- Ne szerelje olyan helyre, ahol az egység működési zaja felerősödik, illetve a kibocsátott zaj vagy levegő a szomszédokat zavarhatja.
- A vízvezetési és csővezetékezési munkát a szerelési útmutatónak megfelelően kell végrehajtani.
A helytelen vízvezetés vízszivárgást és anyagi kárt okozhat.
- Ne szerelje fel a légkondicionáló berendezést a következő helyekre:
 - Olyan helyre, ahol ásványolaj vagy arzénsav található.
 - Olyan helyre, ahol korrozív gáz (például kénsavgáz) vagy gyúlékony gáz (például hígító) halmozódhat fel, vagy ahol gyúlékony anyagokat kezelnek.
 - Olyan helyre, ahol a berendezések elektromágneses mezőket vagy nagyfrekvenciás felharmonikusokat állítanak elő.

1.2. TARTOZÉKOK

A készülékeket a következő tartozékokkal szállítják. A műszaki adatoktól függően a típus és a mennyiség eltérő lehet.

Tartozék neve	Mennyiség	Kialakítás	Használat
Útmutató	3		<Szerelési útmutató>, <Használati útmutató>, <Távirányító útmutatója> (vagy <Vezetékes vezérlő útmutatója>)
Tömítés	1		A leeresztő kimenet tömítése a kültéri egységénél.
Leeresztő kimenet	1		Leeresztőtömítő csatlakoztatása a kültéri egységénél.
Zajsűrő	1		Az EMC szabványoknak való megfelelés érdekében (a beltéri/kültéri csatlakozókábelnél használatos).
Kampó	2		A felszereléshez.

A következő tartozékok a távirányítóval kapcsolatosak.

Tartozék neve	Mennyiség	Kialakítás	Használat
Távirányító	1		A légkondicionáló távirányítására szolgál
Távirányító tartója	1		A távirányító falon való elhelyezéséhez
Önmetsző csavar	2		A távirányító tartójának rögzítéséhez
Elem	2		A távirányítóhoz

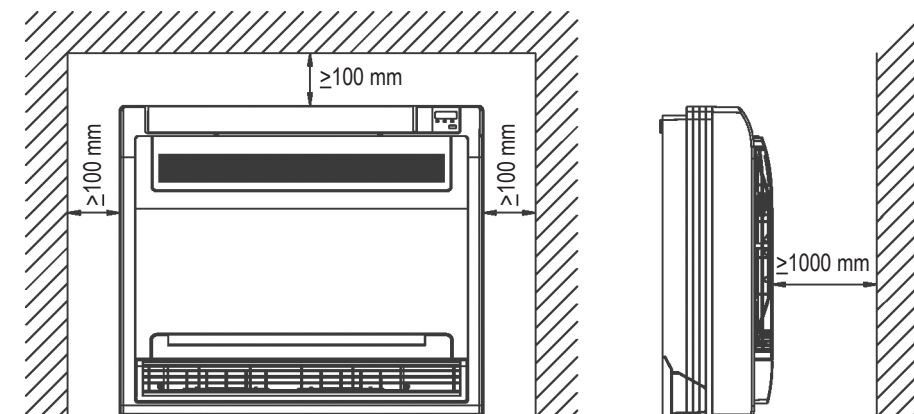
Megjegyzés: A távirányítóval kapcsolatos tartozékok nem állnak rendelkezésre a vezetékes vezérlőt használó típusoknál. A vezetékes vezérlő tartozékait a vezérlőhöz mellékelt útmutató tartalmazza.

2. A BELTÉRI EGYSÉG FELSZERELÉSE

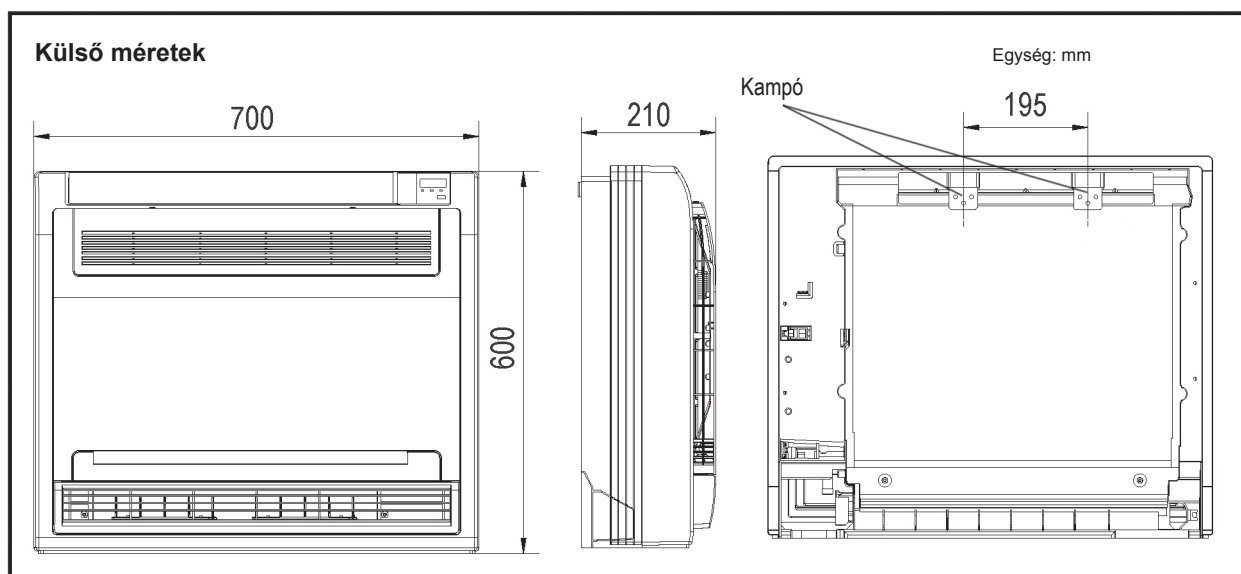
2.1. TELEPÍTÉSI HELYSZÍN VÁLASZTÁSA

BELTÉRI EGYSÉG

- Ahol nincs kitéve közvetlen napfénynek.
- Ahol nincsenek akadályok a légáramlás útjában.
- Ahol biztosítható az optimális levegőelosztás.
- Ahol a kondenzátum megfelelően és biztonságosan leereszthető.
- A beltéri egységet olyan falra/mennyezetre szerelje, amely rezgésmentes, és elegendően erős a készülék megtartására.
- Tartson elegendő térközt a beltéri egység körül a karbantartáshoz és a javításhoz.
- Ahol a légszűrő könnyen kivehető és tisztítható.
- Ahol a beltéri és a kültéri egység közötti csővezeték a megengedett határértékeken belül tartható.
- A beltéri egységet szerelje legalább 1 méter távolságra a televíziótól vagy rádiótól, így megelőzhető a torzítás a képernyőn és zaj keletkezése.
- A beltéri egységet szerelje a lehető legtávolabbra a fénycsövektől és izzólámpáktól, hogy biztosítható legyen a távirányító megfelelő működése.



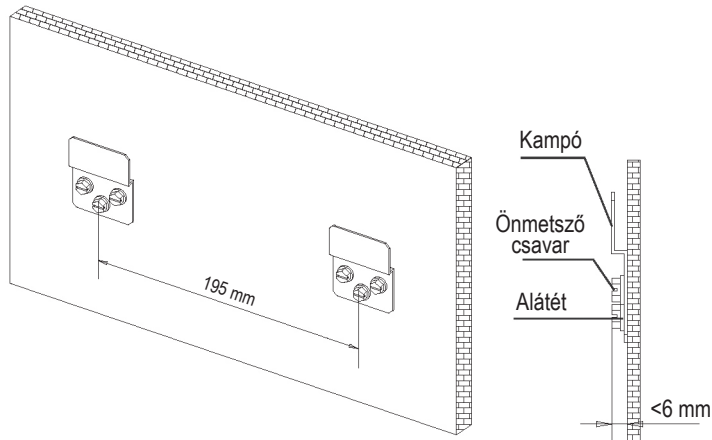
A BELTÉRI EGYSÉG HELYIGÉNYE



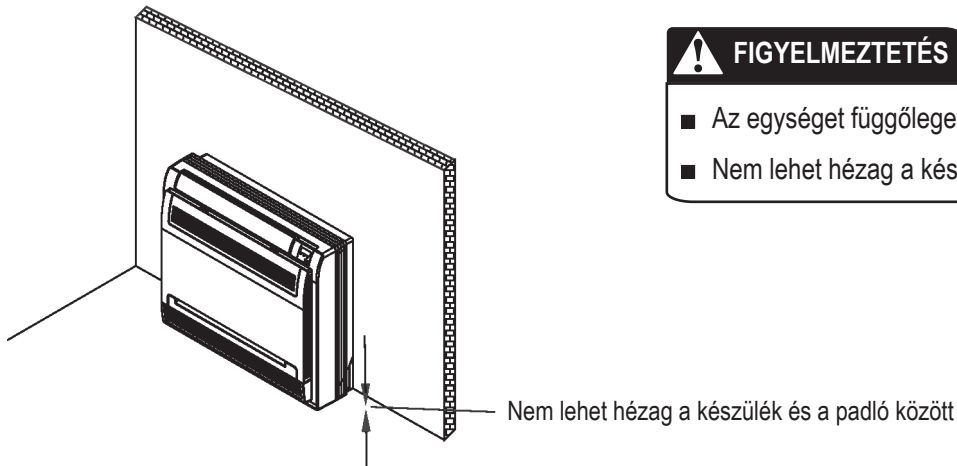
2. A BELTÉRI EGYSÉG FELSZERELÉSE

2.2. A BELTÉRI EGYSÉG FELSZERELÉSE

2.2.1. Rögzítse a kampókat a falon önmetsző csavarral.



2.2.2. Akassza fel a beltéri egységet a kampókra.



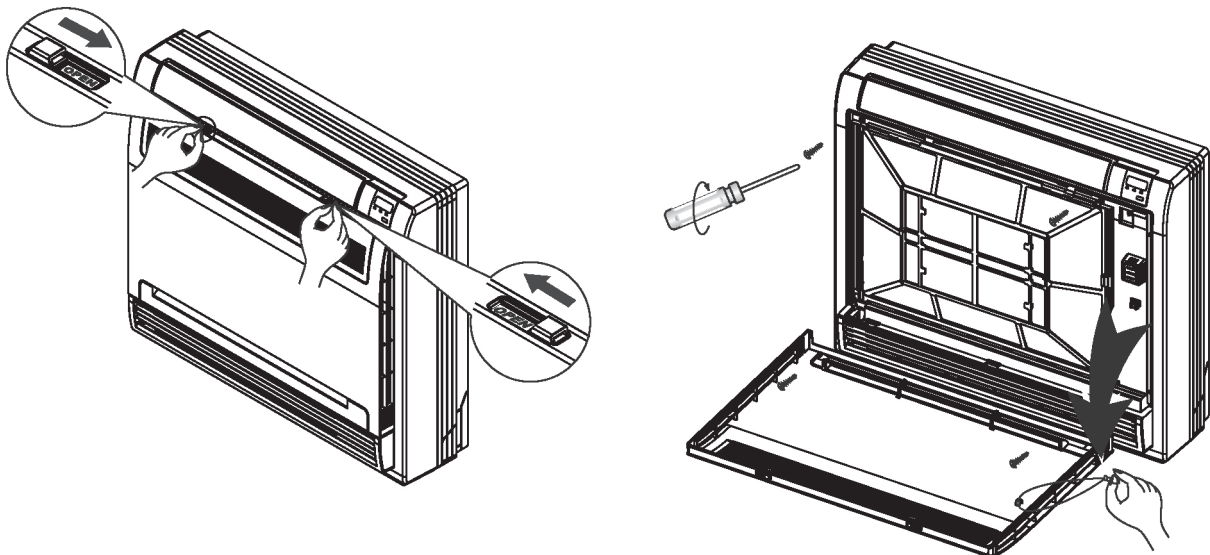
FIGYELMEZTETÉS

- Az egységet függőleges helyzetben kell felszerelni.
- Nem lehet hézag a készülék és a padló között.

2.3. A CSÖVEK ÉS A KÁBELEK CSATLAKOZTATÁSA

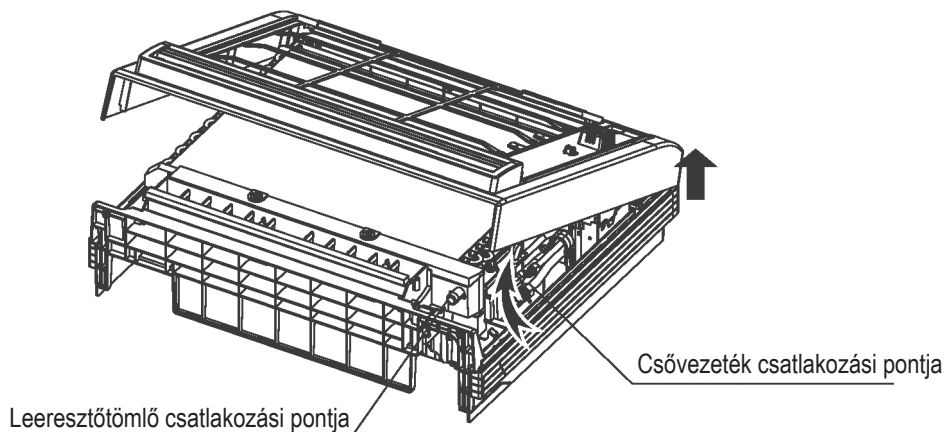
2.3.1. Nyomja meg egyidejűleg a két kapcsolót, majd nyissa ki a panelt.

2.3.2. Vegye le a huzalt, és vegye ki a panelt.

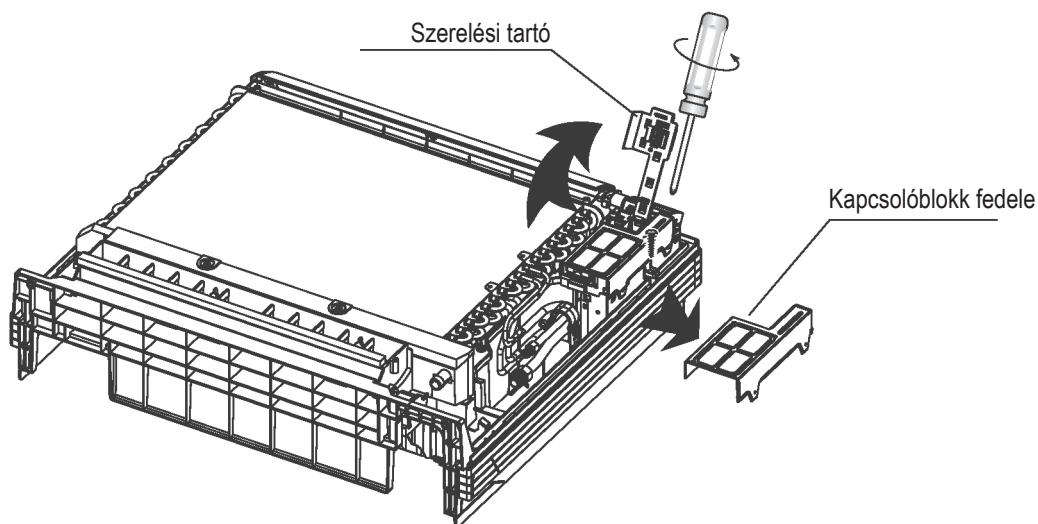


2. A BELTÉRI EGYSÉG FELSZERELÉSE

2.3.3. Szerelje le a 4 csavart, majd vegye le a keretet az alsó oldalról kezdve. A keret levétele után láthatóvá válik a csővezeték és a leeresztőtömlő csatlakozási pontja.

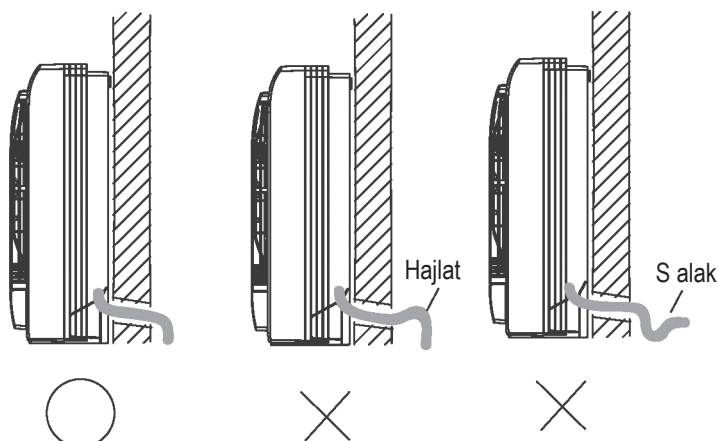


2.3.4. Vegye le a szerelési tartót, és vegye ki a kapcsolóblokk fedelét. Ekkor láthatóvá válnak a kábelcsatlakozók.



2.4. A LEERESZTŐTÖMLŐ FELSZERELÉSE

A leeresztő vezetéknek teljes hosszában folytonosnak kell lennie, lefelé kell lejtene, és a külső falig szigetelve kell lennie.

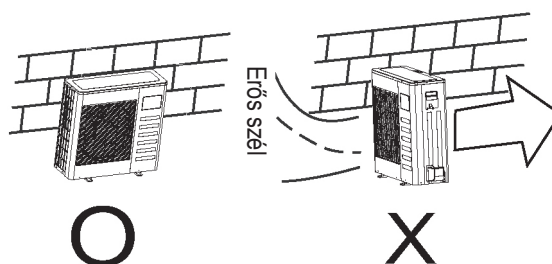


3. A KÜLTÉRI EGYSÉG FELSZERELÉSE

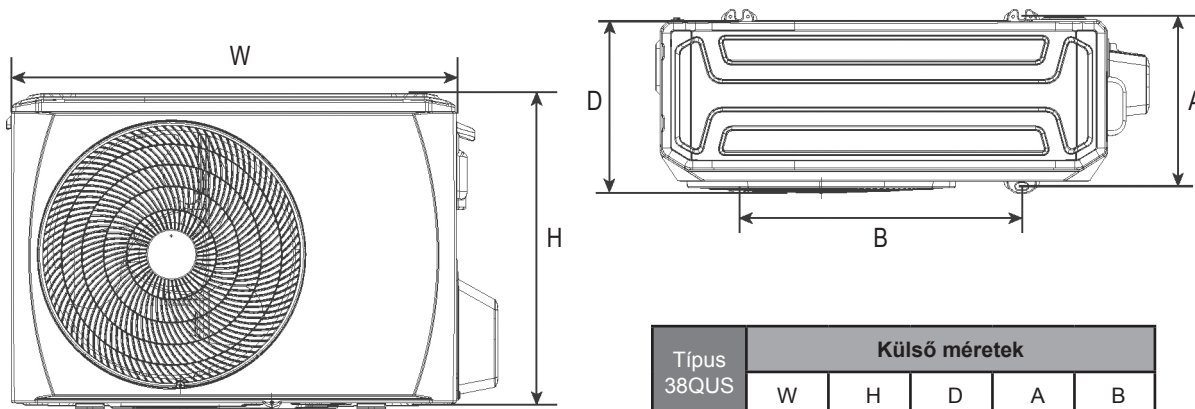
3.1. TELEPÍTÉSI HELYSZÍN VÁLASZTÁSA

KÜLTÉRI EGYSÉG

- Ahol nincs kitéve esőnek vagy közvetlen napfénynek.
- Ahol megfelelő a szellőzés, és nincsenek akadályok a levegőbemenet vagy -kimenet útjában.
- Ahol nem növekszik a kültéri egység működési zaja vagy rezgése.
- Ahol nem okoz ürítési problémát a víz elvezetése.
- A kültéri egységet olyan helyre szerelje fel, amely elegendően teherbíró az egység tömegéhez.
- Ahol megfelelő térközök állnak rendelkezésre.
- Ahol a beltéri és a kültéri egység közötti csővezeték a megengedett határértékeken belül tartható.
- Havazásnak és nagy hidegnek kitett területeken kerülje a kültéri egység olyan helyre szerelését, ahol hó fedheti be. Ha erős havazás várható, helyi jég- vagy hóállványt, illetve helyi szélterelőt kell felszerelni a hólerakódás és/vagy a légbemenet eltömődésének megakadályozása érdekében.
- Ha olyan helyre szereli a kültéri egységet, ahol mindig erős szélnek van kitéve, szélterelő használata javasolt.



3.2. A KÜLTÉRI EGYSÉG SZERELÉSI MÉRETEI

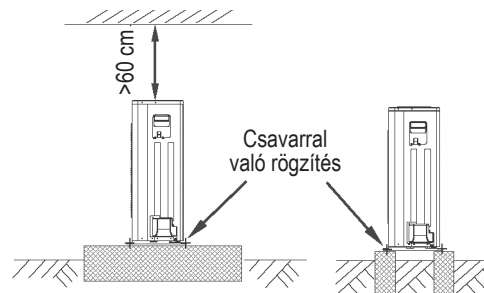
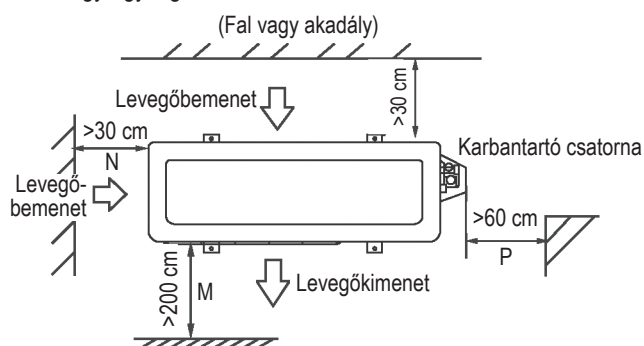


Típus 38QUS	Külső méretek				
	W	H	D	A	B
009	770	555	300	298	487
012/018	800	554	333	340	514

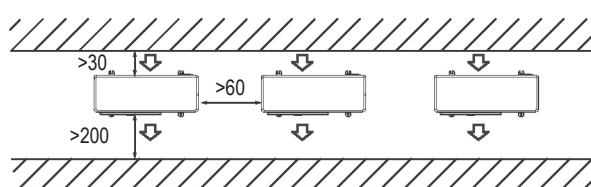
3. A KÜLTÉRI EGYSÉG FELSZERELÉSE

3.3. A KÜLTÉRI EGYSÉG HELYIGÉNYE

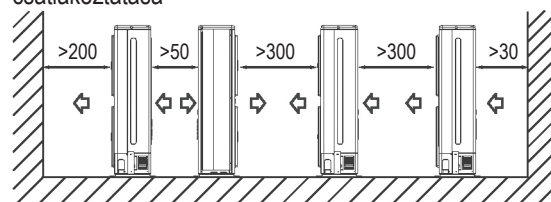
Egy egység felszerelése



Két vagy több egység párhuzamos csatlakoztatása egység: cm

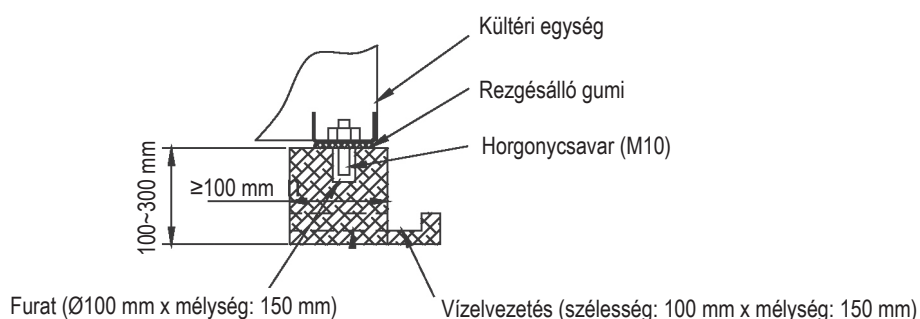


Elülső és hátsó oldalak párhuzamos csatlakoztatása egység: cm



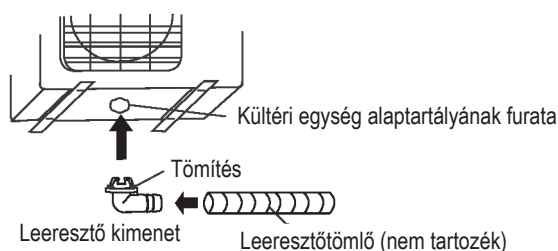
3.4. A KÜLTÉRI EGYSÉG FELSZERELÉSE

- A felszerelés előtt ellenőrizze a talpzat erősségét és vízszintességét, hogy elkerülhető legyen rendellenes hang keletkezése.
- Horgonycsavarokkal (M10) rögzítse szorosan a talpzatot, hogy elkerülhető legyen az összedőlés.
- Szerelje fel az alapzatot és a rezgésálló gumikat, hogy közvetlenül megtámasszák a rögzítőláb alsó felületét, amely érintkezik a kültéri egység alsó lemezével.



3.5. A VÍZELVEZETŐ CSŐVEZETÉK FELSZERELÉSE A KÜLTÉRI EGYSÉGNÉL

- Csatlakoztasson a leeresztő kimenethez egy hosszabbító leeresztőtömlőt.
- Helyezze fel a tömitést a leeresztő kimenetre.
- Helyezze a leeresztő kimenetet a kültéri egység alaptartályának furatába, és forgassa el 90 fokkal a biztonságos illesztéshez.



4. A HŰTŐKÖZEG CSŐVEZETÉKEZÉSI MUNKÁI

FIGYELMEZTETÉS

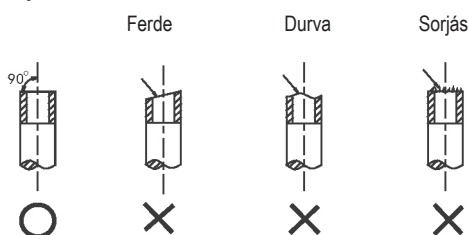
- Ellenőrizze, hogy a beltéri és a kültéri egység közötti magasságkülönbség, valamint a hűtőközegcső teljes hosszúsága megfelel-e az előírásoknak.
- A beltéri és a kültéri egység felszerelését követően a hűtőközeg csővezetékezői munkáinál először a beltéri oldalon csatlakoztassa a csövet, majd ezután a kültéri oldalon.
- A csővégeket mindig zárja le sapkával vagy borítással, és ezt a csatlakoztatás végrehajtásáig ne távolítsa el.
- Ügyeljen arra, hogy minden kültéri csővezeték egészen az egységen belüli csatlakozásig szigetelve legyen. Bármely szabad csővezeték lecsapódást, illetve érintésnél égést okozhat.

4.1. PEREMEZÉS

MEGJEGYZÉS

- Szükséges szerszámok: csővágó, dörzsár, peremezőszerszám és csőtartó.
- Az R32-es hűtőközeggel működő modellekhez, a cső csatlakozó pontjait a helyiségen kívül kell elhelyezni.

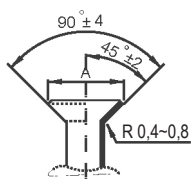
4.1.1. Használjon csővágót a kívánt méretre vágáshoz. Ügyeljen arra, hogy a vágási él 90°-os szöget zárjon be a cső oldalával.



4.1.2. A dörzsárral távolítsa el a sorját a vágási felületet lefelé tartva, hogy ne kerülhessen hulladék a csőbe.

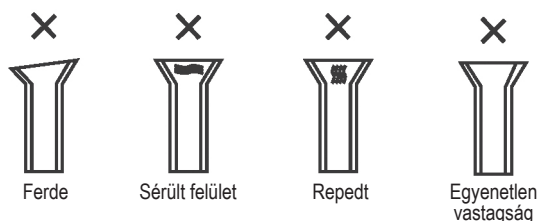
4.1.3. Hajtsa végre a peremezést a megfelelő szerszámokkal az alábbiak szerint.

Külső átmérő	A (mm)	
	Max.	Min.
Ø6,35 mm	8,7	8,3
Ø9,52 mm	12,4	12,0
Ø12,7 mm	15,8	15,4
Ø15,88 mm	19,0	18,6
Ø19,05 mm	23,3	22,9



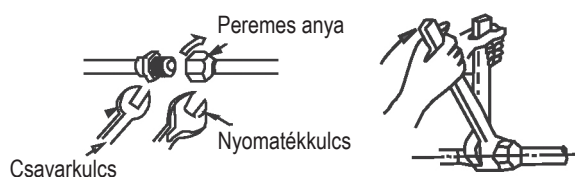
4.1.4. Ellenőrizze a peremezés megfelelőségét.

A helytelenül peremezett csövekre alább láthatók példák.



4.2. CSŐVEZETÉKEZÉSI MUNKA

4.2.1. Igazítsa be a középvonalat a peremes anyá meghúzásához, és a két kulccsal rögzítse a csatlakozást.



Csőméret	Nyomaték
Ø6,35 mm	18 ~ 20 N.m
Ø9,52 mm	25 ~ 26 N.m
Ø12,7 mm	35 ~ 36 N.m
Ø15,88 mm	45 ~ 47 N.m
Ø19,05 mm	65 ~ 67 N.m

4.2.2. Válassza a megfelelő szigetelőanyagot a hűtőközegcsőhöz. (Min. 10 mm, C jelű hőszigetelő hab)

- Használjon különálló hőszigetelő csövet a gáz- és a folyadékcsőhöz.
- A fenti vastagság szokásos beltéri hőmérsékletre (27 °C) és 80%-os páratartalomra vonatkozik. Előnytelen körülmények közötti telepítésnél, például fürdőszoba, konyha és más hasonló helyek közelében meg kell erősíteni a szigetelést.
- A szigetelés hőállósági hőmérsékletének minimális értéke 120 °C.
- A szigetelés csatlakozási részén használjon ragasztót, hogy megelőzhető legyen a nedvesség bejutása.
- Javítsa meg és fedje be a szigetelés minden lehetséges repedését, különösen ellenőrizze a hajlatokat és a felfüggesztéseket.

FIGYELMEZTETÉS

- Ha forrasztásra van szükség, nitrogénes gázfúvatást használjon.
- A helytelen nyomaték peremsérülést vagy gázszivárgást okozhat.

4. A HŰTŐKÖZEG CSŐVEZETÉKEZÉSI MUNKÁI

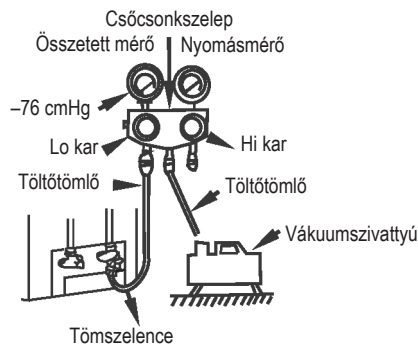
4.3. HŰTŐKÖZEGCSŐ

Típus 38QUS	Folyadék oldal	Gáz oldal	Megengedett csőhossz (m)	Max. magasságkülönbség (m)	Töltés nélküli hossz (m)	Kiegészítő töltés méterenként (R410A/R32)
009/012	Ø6,35 mm	Ø9,52 mm	25	10	5	15/12 g/m
018	Ø6,35 mm	Ø12,7 mm	30	20	5	15/12 g/m

MEGJEGYZÉS: 1) Kérjük, használjon szerszámokat az R410A / R32 rendszerekhez;
 2) Ha a csőhossz 5 méternél nagyobb, kiegészítő hűtőközeget kell hozzáadni a csőhossznak megfelelően.

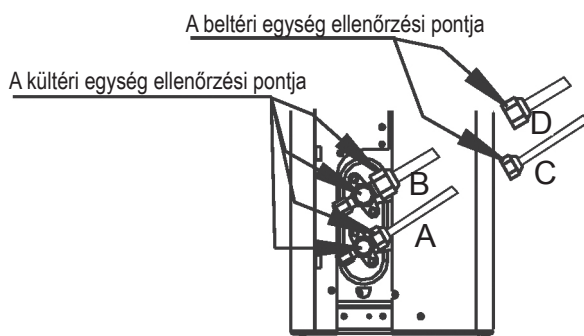
4.4. LÉGTELENÍTÉS

- Csatlakoztassa a szívótömlőt a csőelágazó mérő és a gáz oldali tömszelencés szelep szervizcsatlakozója közé.
- Csatlakoztassa a szívótömlőt a vákuumszivattyú csatlakozójához.
- Nyissa ki teljesen az elosztó mérő Lo karját.
- Működtesse a vákuumszivattyút a rendszer légtelenítéséhez a 76 cmHg értékig.
- Zárja az elosztó mérő Lo karját.
- Nyissa ki teljesen a tömszelence szelepszárát.
- Vegye le a szívótömlőt a szervizcsatlakozóról.
- Húzza meg szorosan a tömszelence sapkáját.



4.5. TÖMÍTETTSÉGVIZSGÁLAT

A csővezetékezési munka befejezése után ellenőrizni kell az egyes hűtőközegcsövek csatlakozási részeit, és HFC típusú hűtőközegnél érvényes szivárgásjelző vagy szappanos víz használatával meg kell győződni arról, hogy nincs gázszivárgás. Lásd az alábbi ábrát.



- A: Kisnyomású zárószelep
- B: Nagynyomású zárószelep
- C és D: Beltéri egység peremes anyái

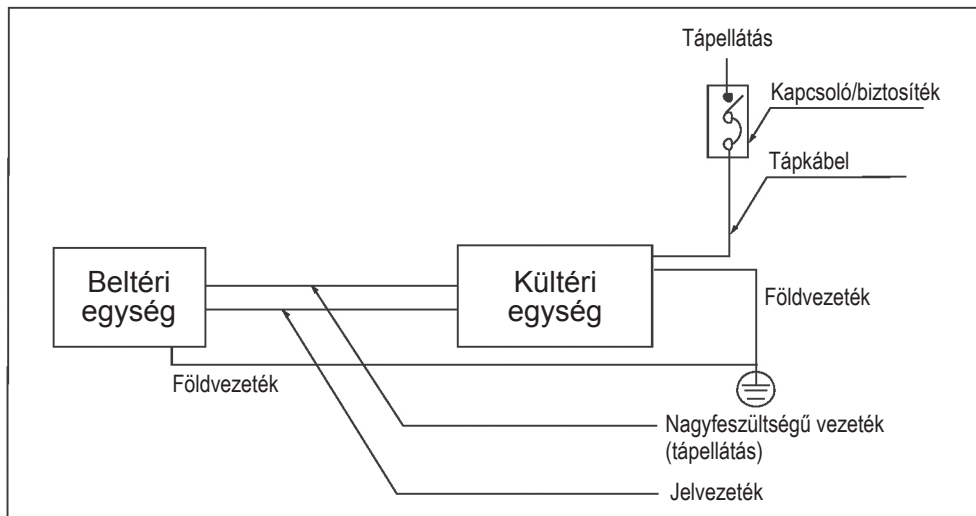
5. KÁBELEZÉS

FIGYELMEZTETÉS

- Minden elektromos csatlakoztatást jogosult telepítési szakembernek kell végrehajtania, és minden kábelezést a bekötési rajznak megfelelően kell végrehajtani.
- Minden más elektromos bekötés előtt először a földelést kell létrehozni.
- A bekötési munka előtt minden tápforrást ki kell kapcsolni, és csak az összes kábelezés megfelelő ellenőrzése után szabad visszakapcsolni.
- Főkapcsolót és megszakítót vagy biztosítékot kell beszerezni, a kapacitásnak a maximális áramerősség legalább 1,5-szeresének kell lennie.
- Külön mellékáramkörnek és egyedi csatlakozóaljzatnak kell rendelkezésre állnia a berendezéshez.
- A vezeték keresztmetszete a névleges áramerősségtől, valamint az országos és helyi elektromos kábelezési szabályoktól függ. A különleges követelményeknél vegye figyelembe az épületekre vonatkozó helyi szabályokat és az országos elektromos előírásokat.
- Ha a tápkábel sérült, azt a veszély elkerülése érdekében a gyártóval vagy a szervizzel, illetve az erre megfelelően képzett személlyel ki kell cseréltetni.
- A hálózati tápellátásra az egységet megszakítón keresztül kell csatlakoztatni, illetve olyan kapcsolóval, amelynek nyitási távolsága legalább 3 mm minden pólusnál. Javasolt legfeljebb 30 mA névleges működési áramerősségű maradékáramot kezelő eszköz (RCD) felszerelése.

5.1 KÜLSŐ ENERGIAFORRÁS

- Bekötési ábra



- Tápellátás és csatlakozókábelek műszaki adatai

Mód (Btu / h)		9k	12k	18k
Tápegység	Fázis	1-fázisú	1-fázisú	1-fázisú
	Frekvencia és feszültség	220-240 V ~ 50 Hz	220-240 V ~ 50 Hz	220-240 V ~ 50 Hz
Névleges áramerősség		10A	10A	11A
Biztosíték minősítés (tápellátás)		20A	20A	20A
Tápkábel		H07RN-F; 3 × 2,5mm ²	H07RN-F; 3 × 2,5mm ²	H07RN-F; 3 × 2,5mm ²
Beltéri / kültéri csatlakozóvezetékek (terepi ellátás)		H07RN-F; 4 × 1,5mm ²	H07RN-F; 4 × 1,5mm ²	H07RN-F; 4 × 2,5mm ²

MEGJEGYZÉSEK A BIZTOSÍTÉKOK MINŐSÍTÉSÉVEL KAPCSOLATBAN:

(csak az R32 hűtőközeget használó berendezésekre és kerámia biztosítékokra vonatkozik).

1. A kültéri egység biztosítékának specifikációja T20A / 250VAC (<24 000Btu / h egység), T30A / 250VAC (> 24 000Btu / h egység esetén)
2. A beltéri egység biztosítékának specifikációja T5A / 250VAC, T10A / 250VAC.

6. VÉGSŐ ELLENŐRZÉS ÉS PRÓBAÜZEM

6.1. A VÉGSŐ ELLENŐRZÉS LÉPÉSEI

A telepítés befejezéseként a próbaüzem előtt hajtsa végre a következő ellenőrzéseket.

- A telepítési hely megfelelősége a beltéri és a kültéri oldalon egyaránt: ellenőrizni kell, hogy ne legyenek akadályok az egység légkimeneténél és a visszatérési ágban.
- A hűtőközegcső-csatlakozás szorossága, és ellenőrizni kell, hogy nincs-e szivárgás.
- Az elektromos csatlakoztatások megfelelő végrehajtása és az egység földelése.
- A csővezetékek teljes hosszúságának ellenőrzése, a kiegészítő hűtőközeg mennyiségének feljegyzése.
- A tápellátásnak meg kell felelnie a légkondicionáló névleges feszültségének.
- A csövek szigetelése.
- Leeresztés.

6.2. KÉZI MŰKÖDTETÉS

A kézi működtetés a kijelzőpanelen lévő gombbal hajtható végre.

Nyomja meg a kézi gombot az üzemmódok közötti váltáshoz:

- Egyszer = automatikus üzemmód [fűtés, hűtés vagy ventilátor 24 °C értéken, ventilátor automatikus fordulatszáma].
- Kétszer = hűtés üzemmód [30 perc után automatikus üzemmódra vált (elsősorban próbaüzemnél használható)].
- Háromszor = kikapcsolás.

6.3. PRÓBAÜZEM

Állítsa a légkondicionálót HŰTÉS üzemmódba a távirányítóval (vagy a kézi gombbal), és ellenőrizze a beltéri és kültéri egység megfelelő működését. Hibás működésnél a használati útmutató „Hibaelhárítás” fejezete alapján oldja meg a problémát.

Beltéri egység

- Megfelelően működnek-e a távirányító gombjai (például ON/OFF, MODE, TEMPERATURE, FAN SPEED stb.).
- Megfelelő-e a légnyílás mozgása.
- Megfelelő-e a helyiség hőmérsékletének beállítása.
- Megfelelőek-e a kijelzőpanel jelzőfényei.
- Megfelelően működik-e a „kézi” gomb.
- Megfelelő-e a leeresztés.
- Van-e rezgés vagy rendellenes zaj a működés során.
- Megfelelően működik-e a beltéri egység a hűtés és a fűtés üzemmódban.

Kültéri egység

- Van-e rezgés vagy rendellenes zaj a működés során.
- A légkondicionáló által keltett huzat, zaj vagy kondenzátum zavarja-e a szomszédokat.
- Van-e hűtőközeg-szivárgás.



FIGYELMEZTETÉS

- Az egység újraindításakor a védelem érdekében kb. 3 perces késleltetés lép működésbe.

7. SZERVIZELÉSI TUDNIVALÓK

7.1. A TERÜLET ELLENŐRZÉSE

Mielőtt elkezdene dolgozni a gyúlékony hűtőközeget tartalmazó rendszereken, a gyulladás veszélyének elkerülése érdekében biztonsági ellenőrzéseket kell végezni. A hűtőrendszer javításakor a következő óvintézkedéseket kell betartani a rendszeren való munka megkezdése előtt.

7.2. MUNKAFOLYAMAT

A munkálatokat kontrollált eljárás keretein belül kell elvégezni, így minimalizálható annak az esélye, hogy a munkálatok végzésekor gyúlékony gáz vagy gőz van jelen.

7.3. ÁLTALÁNOS MUNKATERÜLET

A teljes karbantartó személyzetet és a területen dolgozókat instrukciókkal kell ellátni az elvégzendő munkálatokkal kapcsolatban. A szűk helyen való munkavégzést el kell kerülni. A munkaterület körüli részt el kell keríteni. A gyúlékony anyagok ellenőrzésével biztosítani kell a munkaterület biztonságát.

7.4. HŰTŐKÖZEG MEGLÉTÉNEK ELLENŐRZÉSE

A területet a munkavégzés előtt és alatt megfelelő hűtőközeg-jelzővel kell ellenőrizni. Így a szakember tudatában van annak, ha a levegő potenciálisan gyúlékony anyagot tartalmaz. Biztosítani kell, hogy a szivárgásjelző berendezés megfelelő a gyúlékony hűtőközeggel való használatra (azaz nem generál szikrát, megfelelően szigetelve van, illetve a belső működése is biztonságos).

7.5. TŰZOLTÓ KÉSZÜLÉK JELENLÉTE

Ha a hűtőkészüléken vagy a kapcsolódó alkatrészekon hőkibocsátással járó munkát kell végezni, kéznél kell lennie egy megfelelő tűzoltó készüléknek. A feltöltési terület mellett álljon készen egy oltóhabos vagy szén-dioxidos tűzoltókészülék.

7.6. LE LEGYENEK JELEN GYÚJTÓFORRÁSOK

Azoknak a személyeknek, akik a hűtőrendszeren a hűtőközeget tartalmazó (vagy korábban tartalmazó) csövekkel kapcsolatos munkálatokat végeznek, minden gyújtóforrást olyan módon kell használniuk, hogy az ne járhasson a tűz vagy robbanás veszélyével. Minden lehetséges gyújtóforrást (ideértve az égő cigarettát) megfelelő távolságban kell tartani a telepítés, a javítás, az eltávolítás és a hűtőközeg szabadba jutásának veszélyével járó hulladékkezelés helyszínétől. A munkálatok megkezdése előtt meg kell győződni arról, hogy a készülék vizsgálatára szolgáló területen nem található gyúlékony anyag, valamint arról, hogy nem áll fenn a gyulladás veszélye. Kötelező a „TILOS A DOHÁNYZÁS” feliratú táblák használata.

7.7. SZELLŐZŐ TERÜLET

Mielőtt behatol a rendszerbe vagy bármilyen jellegű hőkibocsátással járó munkát végez, győződjön meg arról, hogy a terület nyitott és megfelelően szellőzik. A munkálatok elvégzése közben is biztosítani kell a megfelelő szellőzést. Olyan szellőzés szükséges, amely biztonságosan eloszlatja a kibocsátott hűtőközeget, illetve amely lehetőleg továbbítja azt a szabad levegőre.

7.8. A HŰTŐBERENDEZÉS ELLENŐRZÉSE

Elektromos összetevők cseréjekor azoknak a célnak és a műszaki specifikációknak megfelelőnek kell lenniük.

A gyártó karbantartási és szervizelési irányelveit mindig be kell tartani. Bármilyen kétség felmerülésekor forduljon a gyártó műszaki részlegéhez segítségért. A gyúlékony anyagokat alkalmazó telepítések esetén a ellenőrizni kell a következőket:

7. SZERVIZELÉSI TUDNIVALÓK

- megfelelő a töltési méret annak a szobának a szempontjából, amelyben telepítve vannak a hűtőközeget tartalmazó alkatrészek;
- megfelelő és akadálymentes a szellőztető berendezések és kimenetek működése;
- közvetett hűtőkör használatakor található hűtőközeg a másodlagos hűtőkörökben; a berendezés jelölései láthatók és olvashatók;
- az olvashatatlan jelöléseket javítani kell;
- a hűtőrendszer csövei vagy összetevői olyan helyre vannak telepítve, ahol valószínűleg nem érheti a hűtőközeget tartalmazó összetevőket korróziót okozó anyag; kivéve, ha az összetevők eleve korrózióálló anyagból készültek, illetve amelyek védve vannak a korrodálódás ellen.

7.9. ELEKTROMOS ESZKÖZÖK ELLENŐRZÉSE

Az elektromos összetevők javítása és karbantartása során el kell végezni a kezdeti biztonsági ellenőrzéseket, illetve meg kell vizsgálni az összetevőket. A biztonságos működést veszélyeztető hibák esetén a hiba elhárításáig tilos biztosítani a kör tápellátását. Ha a hiba nem javítható ki azonnal, de szükséges az, hogy a készülék továbbra is működjön, megfelelő átmeneti megoldást kell alkalmazni. Erről értesíteni kell a berendezés tulajdonosát, hogy minden fél tisztában legyen a problémával.

A kezdeti biztonsági ellenőrzések során a következőket kell vizsgálni:

- a kondenzátorok ki vannak sűtve; ezt olyan biztonságos módon kell elvégezni, hogy ne keletkezessen szikra;
- a rendszer töltésekor, visszaállításakor vagy légtelenítésekor nincsenek olyan áram alatt lévő elektromos összetevők és vezetékek, amelyek nincsenek lefedve;
- a földelés megszakításmentes.

7.10. A SZIGETELT ÖSSZETEVŐK JAVÍTÁSA

- 10.1. A szigetelt összetevők javítása során a javított berendezést teljesen le kell választani a tápellátásról a szigetelt fedelek stb. eltávolítása során. Ha a javítás során elengedhetetlen valamelyik összetevő tápellátásának biztosítása, akkor a legkritikusabb ponton egy folyamatosan működő szivárgásjelző használata szükséges, amely figyelmeztet a potenciálisan veszélyes helyzetekre.
- 10.2. Különös figyelmet kell fordítani a következőkre annak érdekében, hogy az elektromos összetevőkön végzett munka során a ház ne módosuljon olyan módon, amely befolyásolja a biztosított védelmet. Ide tartozik többek között a kábelek sérülése, a túlzott számú csatlakozás, a nem az eredeti specifikációk alapján készült csatlakozók, a szigetelés sérülése, illetve a tömszelencék nem megfelelő illesztése.
 - Győződjön meg arról, hogy a berendezés biztonságosan van felszerelve.
 - Győződjön meg arról, hogy a szigetelések és a szigetelőanyagok nem károsodtak olyan módon, hogy már nem képesek megakadályozni a gyúlékony gázok szivárgását. A cserealkatrészeknek meg kell felelniük a gyártó specifikációinak.

MEGJEGYZÉS: A szilikon szigetelések használata csökkentheti bizonyos szivárgásjelző berendezések hatékonyságát. Az eleve biztonságos összetevőket a nem kell izolálni a munkavégzés előtt.

7.11. AZ ELEVE BIZTONSÁGOS ÖSSZETEVŐK JAVÍTÁSA

Csak akkor tegye ki a kört induktív vagy kapacitív terhelésnek, ha meggyőződött arról, hogy az nem haladja meg a használt berendezéshez megengedett feszültséget és áramerősséget. Kizárólag az eleve biztonságos összetevőkön végezhető munka áramtalanítás nélkül úgy, hogy a levegő gyúlékony anyagot tartalmaz. A tesztelési berendezésnek megfelelő névleges jellemzőkkel kell rendelkeznie. Csak a gyártó által megadott cserealkatrészeket használja. Az ettől eltérő alkatrészek használata szivárgást okozhat, amely a levegőbe jutott hűtőközeg gyulladáshoz vezethet.

7. SZERVIZELÉSI TUDNIVALÓK

7.12 KÁBELEK

Ellenőrizze, hogy a kábeleken nem tapasztalható kopás, korrózió, valamint hogy azok nincsenek kitéve túlzott mértékű nyomásnak, rázkódásnak, éles felületekkel való érintkezésnek, illetve bármilyen káros környezeti hatásnak. Az ellenőrzés során figyelembe kell venni az anyagfáradás, illetve a kompresszorok vagy ventilátorok által keltett folyamatos rezgés hatásait.

7.13 GYÚLÉKONY HŰTŐKÖZEG ÉSZLELÉSE

A hűtőközeg-szivárgás észleléséhez minden körülmények között tilos potenciális gyújtóforrásokat használni. Tilos a halogénlámpák (és bármely nyílt lángot alkalmazó érzékelőberendezés) használata.

7.14 SZIVÁRGÁSÉRZÉKELÉSI MÓDSZEREK

A gyúlékony hűtőközeget tartalmazó rendszerek esetén a következő szivárgásérzékelési módszerek használata elfogadható. A gyúlékony hűtőközegek észleléséhez elektronikus szivárgásérzékelőket kell használni, azonban előfordulhat, hogy azok érzékenysége nem megfelelő, illetve hogy újralibrálás szükséges. Az érzékelőberendezések kalibrálását hűtőközegtmentes területen kell elvégezni. Győződjön meg arról, hogy az érzékelő nem potenciális gyújtóforrás, valamint arról, hogy megfelel a hűtőközeg szempontjából. A szivárgásérzékelő berendezést a hűtőközeg LFL-százalékának megfelelően kell beállítani, a használt hűtőközeg alapján kell kalibrálni, és ellenőrizni kell a megfelelő gázarányt (max. 25 százalék). A legtöbb hűtőközeghez megfelelőek a szivárgásérzékelő folyadékok, de a klórt tartalmazó anyagok használatát kerülni kell, mert előfordulhat, hogy a klór reakcióba lép a hűtőközeggel, és korrodálhatja a rézcsöveket. Ha fennáll a szivárgás gyanúja, minden nyílt lángot el kell távolítani a közelből vagy el kell oltani. Olyan szivárgás észlelésekor, amelynek kijavításához forrasztásra van szükség, akkor minden hűtőközeget el kell távolítani a rendszerből, vagy a hűtőközeget zárószelepek használatával a rendszer egy, a szivárgástól távoli részén kell izolálni. A forrasztás előtt és közben oxigénmentes nitrogént (OFN) kell átfúvatni a rendszeren.

7.15 ELTÁVOLÍTÁS ÉS LÉGTELENÍTÉS

Amikor javítás vagy egyéb munkavégzés céljából be kell hatolni a hűtőkörbe, hagyományos eljárásokat kell alkalmazni. Azonban nagyon fontos a bevált módszerek alkalmazása, mert fennáll a gyulladás veszélye.

A következő eljárásokat kell követni:

- hűtőközeg eltávolítása;
- a kör átfúvatása közömbös gázzal;
- légtelenítés;
- újbóli átfúvatás közömbös gázzal;
- a kör megnyitása vágással vagy forrasztással.

A hűtőközeget a megfelelő tartályokba kell elvezetni. A rendszert oxigénmentes nitrogénnel kell átfúvatni a biztonság érdekében. Előfordulhat, hogy ezt többször is el kell végezni.

Ehhez az eljáráshoz nem használható sűrített levegő vagy oxigén.

A rendszer tisztításához oxigénmentes nitrogén használatával meg kell szüntetni a rendszerben fennálló vákuumot, folytatni kell a feltöltést a működési nyomás eléréséig, ezután el kell végezni a rendszer szellőztetését, végül pedig vissza kell állítani a vákuumot. Ezt az eljárást addig kell ismételni, amíg minden hűtőközeg távozik a rendszerből.

Az utolsó adagnyi oxigénmentes nitrogén alkalmazása után a rendszert szellőztetni kell, amíg az eléri a normál légnyomást, hogy meg lehessen kezdeni a munkavégzést. Ez a művelet életbevágó fontosságú, ha a csöveken forrasztási munkálatokat kell végezni. Győződjön meg arról, hogy a vákuumszivattyú kivezetése nem esik közel semmilyen gyújtóforráshoz, valamint arról, hogy biztosítva van a megfelelő szellőzés.

7. SZERVIZELÉSI TUDNIVALÓK

7.16 FELTÖLTÉSI ELJÁRÁSOK

A hagyományos feltöltési eljárásokon kívül a következő követelményeknek kell megfelelni:

- Biztosítsa azt, hogy a különböző hűtőközegek nem szennyeződnek a töltőberendezés használatakor. A csövek és tömlők legyenek a lehető legrövidebbek annak érdekében, hogy azokban a lehető legkevesebb hűtőközeg legyen jelen.
- A tartályok legyenek függőleges helyzetben.
- A hűtőközeggel való feltöltés előtt győződjön meg arról, hogy a hűtőrendszer földelve van.
- A feltöltés befejezése után lássa el jelzéssel a rendszert (ha azon már nem található eleve jelzés).
- Rendkívüli figyelmet kell arra fordítani, hogy a rendszer ne legyen túltöltve.
- A rendszer újratöltése előtt oxigénmentes nitrogénnel ellenőrizni kell a nyomást. A rendszer feltöltését követően az üzembe helyezés előtt szivárgásellenőrzést kell végezni. Ismételt szivárgásellenőrzés

7.17 LESZERELÉS

Az eljárás elvégzéséhez elengedhetetlen, hogy a szakember tökéletesen ismerje a készüléket és annak minden tulajdonságát. Javasolt eljárás a teljes hűtőközeg tárolótartályokba történő biztonságos elvezetése. A feladat elvégzése előtt olaj- és hűtőközegmintát kell venni.

Ez azért fontos, mert előfordulhat, hogy a visszanyert hűtőközeg újbóli felhasználása előtt analízis szükséges. Elengedhetetlen, hogy a feladat megkezdése előtt legyen rendelkezésre álló elektromos áram.

- a) Ismerje meg a berendezést és annak működését.
- b) Végezze el a rendszer elektromos izolálását.
- c) Az eljárás megkezdése előtt győződjön meg az alábbiakról:
 - a hűtőközeg-tartályok kezeléséhez rendelkezésre áll mechanikus kezelőberendezés, amennyiben ez szükséges;
 - minden személyes védőfelszerelés rendelkezésre áll, és ezeket megfelelően használják;
 - a tartályokba történő leeresztést egy hozzáértő szakember felügyeli;
 - a leeresztéshez használt eszközök és a tartályok megfelelnek a vonatkozó szabványoknak.
- d) Ha lehetséges, szivattyúval ürítse ki a rendszert.
- e) Ha a vákuumos megoldás nem kivitelezhető, használjon csőelágazást, hogy a hűtőközeget el lehessen távolítani a rendszer különböző részeiről.
- f) A leeresztés előtt a tartályt helyezze a mérlegre.
- g) Indítsa el a leeresztéshez használt gépet, és működtesse azt a gyártó utasításainak megfelelően.
- h) Ne töltse túl a tartályokat. (A folyadék mennyisége ne lépje túl a térfogat 80%-át).
- i) Ne lépje túl a tartály maximális üzemi nyomását, még átmenetileg sem.
- j) A tartályok megfelelő feltöltése és az eljárás befejezése után azonnal távolítsa el a tartályokat és a berendezést a helyszínről, és zárja el a berendezés összes izolációs szelepét.
- k) A visszanyert hűtőközeget tilos tisztítás és ellenőrzés nélkül egy másik hűtőrendszerbe tölteni.

7.18 JELZÉSEK

A berendezésen jelezni kell, hogy a berendezésből leeresztették a hűtőközeget, illetve hogy a berendezést leszerelték. A jelzésen szerepelnie kell a dátumnak és az aláírásnak. Győződjön meg arról, hogy a berendezésen található címkék jelzik azt, hogy a berendezés gyűlékony hűtőközeget tartalmaz.

7. SZERVIZELÉSI TUDNIVALÓK

7.19 LEERESZTÉS

- Amikor szervizelés vagy leszerelés céljából eltávolítja egy rendszerből a hűtőközeget, javasolt a hűtőközegek biztonságos eltávolítása.
- Amikor a hűtőközeget tartályokba ereszti le, csak megfelelő tárolótartályokat használjon. Győződjön meg arról, hogy rendelkezésre áll a rendszer teljes hűtőközeg-tartalmának tárolásához szükséges mennyiségű tartály. Csak a leeresztett hűtőközeg tárolására készült, az adott hűtőközeg címkéjét tartalmazó tartályokat használjon (azaz olyan speciális tartályokat, amelyeket kimondottan hűtőközeg-tárolásra terveztek). A tartályoknak megfelelően működő nyomáskiegyenlítő szelepeket és elzárószelepeket kell tartalmazniuk.
- Az üres tárolótartályokat a leeresztés előtt légteleníteni kell, és ha lehetséges, a tartályokat le kell hűteni.
- A leeresztéshez használt berendezésnek megfelelően kell működnie, kéznél kell lennie a berendezés működési leírásának, és a berendezésnek alkalmasnak kell lennie gyűlékony hűtőközegek leeresztésére. Emellett rendelkezésre kell állnia kalibrált és megfelelően működő mérlegeknek is.
- A tömlőkhöz tartoznia kell egy szivárgásmentes leválasztócsatlakozónak, és a tömlőnek szivárgásmentesnek kell lennie. A leeresztéshez használt gép használata előtt győződjön meg arról, hogy a gép megfelelő állapotban van, arról, hogy a gépet megfelelően karbantartották, illetve arról, hogy minden kapcsolódó elektromos összetevő szigetelve van; ez utóbbi azért fontos, hogy a hűtőközeg esetleges levegőbe jutása esetén az összetevők ne okozhassanak gyulladást. Bármilyen kétség felmerülésekor forduljon a gyártóhoz.
- A leeresztett hűtőközeget a megfelelő tárolótartályban kell visszajuttatni a hűtőközeg forgalmazójának, és be kell tartani a vonatkozó hulladékszállítási utasításokat. Ne keverje a hűtőközegeket a leeresztőegységekben, és ami még ennél is fontosabb, a tartályokban.
- Kompresszorok vagy kompresszorolaj eltávolítása esetén azokat megfelelően légteleníteni kell, hogy biztosan ne maradjon gyűlékony hűtőközeg a kenőanyagban. A leeresztési eljárást azelőtt kell végrehajtani, mielőtt visszajuttatná a kompresszorokat a forgalmazóknak. A folyamat felgyorsítására csak a kompresszorváz elektromos fűtése használható. A rendszerből csak óvatosan szabad leereszteni az olajat.

7.20 AZ EGYSÉGEK SZÁLLÍTÁSA, JELZÉSSEL VALÓ ELLÁTÁSA ÉS TÁROLÁSA

1. A gyűlékony hűtőközeget tartalmazó berendezések szállítása
Tartsa be a szállítási előírásokat
2. A berendezések ellátása jelzésekkel
Tartsa be a helyi előírásokat
3. A gyűlékony hűtőközeget tartalmazó berendezések hulladékkezelése
Tartsa be az adott ország előírásait
4. A berendezések tárolása
A berendezések tárolása történjen a gyártó utasításainak megfelelően.
5. A becsomagolt (még nem értékesített) berendezések tárolása
A tárolócsomagot olyan védelemmel kell ellátni, amely a berendezés mechanikus sérülésekor megakadályozza a hűtőközeg szivárgását.
Az egy helyen tárolható berendezések maximális számát a helyi előírások határozzák meg.

Утврдено е дека овој производ е во согласност со Директивата за низок напон (2014/35/EC) и Директивата за електромагнетна компатибилност (2014/30/EC) на Европската унија.



Правилно отстранување на овој производ (Отпад од електрична и електронска опрема)

(Кога се користи овој клима уред во европските земји треба да се следат следниве насоки)

- Оваа ознака прикажана на производот или во литературата за него, укажува на тоа дека електричниот отпад и електричната опрема (WEEE како што е наведено во директивата 2012/19/EU) не би смееле да се мешаат со општиот отпад од домаќинството.

со отпадот од домаќинствата. Се забранува отстранувањето на овој апарат во отпадот од домаќинството.

Постојат неколку можности за отстранување:

1. Во општината има воспоставено систем за собирање каде што корисникот може бесплатно да го отстрани електронскиот отпад.

2. При купувањето нов производ, трговецот ќе го земе стариот производ бесплатно.

3. Производителот ќе го земе стариот апарат и ќе го отстрани бесплатно за корисникот.

4. Бидејќи старите производи содржат вредни ресурси, може да се продадат на дилерите со стар метал.

Отстранувањето на отпадот на диво, во шуми и во природа го загрозува вашето здравје кога опасни супстанции истекуваат во подземните води и преку тоа доаѓаат до синџирот на исхрана.

Овој производ содржи флуорирани гасови опфатени со Протоколот од Кјото

Хемиско име на гасот

R410A / R32

Потенцијал за глобално затоплување (GWP) на гас

2088 / 675

ПРЕТПАЗЛИВОСТ

- Залепете ја приложената етикета за фреонот во непосредна близина на локацијата за полнење и/или поправање.
- Јасно напишете ја надополнетата количина на фреон на етикетата на фреонот користејќи неизбришливо мастило.
- Спречување емисија на содржаниот флуориран гас. Осигурете се дека флуорираниот гас никогаш не е вентилиран во атмосферата за време на монтажата, услугите или при отстранувањето. Кога ќе се забележи истекување на содржаниот флуориран гас, течењето

- ќе се сопре и ќе се поправи во најкраток можен рок.
- Дозволено е да пристапи само квалификуваниот сервисен персонал за да го сервисира овој производ.
- Секое ракување со флуорираниот гас во овој производ, како на пример кога се поместува производот или се полни гасот, треба да биде во согласност со Регулативата (EC) бр. 517/2014 на одредени флуорирани стакленички гасови и сите релевантни локални закони.
- За какви било прашања контактирајте ги дилерите, монтерите, итн.

Внатрешна единица	Димензии (IDU)	Надворешна единица	Димензии (ODU)	Номинален напон и Hz
42QZA009DS*	700x600x210	38QUS009DS*	770x300x555	
42QZA012DS*	700x600x210	38QUS012DS*	800x333x554	220-240V~ 50Hz
42QZA012D8S*	700x600x210	38QUS012D8S*	800x333x554	
42QZA018DS*	700x600x210	38QUS018DS*	800x333x554	

Производителот го задржува правото за промена на некои спецификации без претходна најава.

СОДРЖИНА

1. ПОДГОТОВКА ЗА МОНТИРАЊЕ	3
1.1 Мерки за претпазливост	3
1.2 Додатоци	4
2. МОНТИРАЊЕ НА ВНАТРЕШНАТА ЕДИНИЦА	6
2.1 Бирање место за монтирање	6
2.2 Монтирање на внатрешната единица	7
2.3 Како да ги поврзете цевките и жиците	7
2.4 Монтирање на одводната цевка	8
3. МОНТИРАЊЕ НА НАДВОРЕШНАТА ЕДИНИЦА	9
3.1 Бирање место за монтирање	9
3.2 Димензии за монтажа на надворешна единица	9
3.3 Потребен простор за надворешна единица	10
3.4 Монтирање на надворешната единица	10
3.5 Монтирање на одводната цевка за надворешната единица	10
4. ЦЕВКОВОД ЗА ЛАДЕЊЕ	11
4.1 Лемење	11
4.2 Местење цевки	11
4.3 Цевка за ладење	12
4.4 Евакуација на воздух	12
4.5 Тест за истекување	12
5. ЕЛЕКТРИЧНА ИНСТАЛАЦИЈА	13
6. ПОСЛЕДНА ПРОВЕРКА И ПРОБНО РАБОТЕЊЕ	14
6.1 Список за последна проверка	14
6.2 Рачно работење	14
6.3 Пробно работење	14
7. ИНФОРМАЦИИ ЗА СЕРВИСИРАЊЕ	15



Внимание: Ризикот од пожар важи само
за R32/R290 средство за ладење

1. ПОДГОТОВКА ЗА МОНТИРАЊЕ

1.1 МЕРКИ ЗА ПРЕТПАЗЛИВОСТ

- Монтирањето, вклучувањето и сервисирањето на опремата за климатизирање може да биде опасно поради притисоците на системот, електричните компоненти и локацијата на опремата (покриви, поткачени структури, итн.).
- Само обучени, квалификувани монтери и сервисери треба да ја монтираат, вклучуваат и да ја користат оваа опрема.
- Кога се работи на опремата треба да се почитуваат мерките на претпазливост дадени во упатствата и на ознаките, налепниците и етикетите кои се во прилог на опремата.
- Следете ги безбедносните норми. Носете заштитни очила и ракавици. Додека лемите, имајте крпа и апарат за гаснење пожар во близина. Внимателно ракувајте, местете и поставувајте ја гломазната опрема.
- Темелно прочитајте ги овие упатства и следете ги сите опомени или предупредувања вклучени во упатствата и прикачени на единицата. Погледнете ги локалните норми за градба и националниот електричен кодекс за посебни барања.



ПРЕДУПРЕДУВАЊЕ

Овој симбол укажува на можноста за повреда на персоналот или губење на животот.

- **Ладилниот гас е потежок од воздухот и го заменува кислородот. Големо протекување може да доведе до осиромашување на кислородот, особено во подруми, и може да се случи несреќа со задушување што води до сериозни повреди или смрт.**
- **Ако клима уредот е монтиран во мала соба, утврдете соодветни мерки за да бидете сигурни дека концентрацијата на протечен фреон во собата не го надминува критичното ниво.**
- **Ако ладилниот гас истече за време на монтажата, веднаш проветрете ја областа.**
Ладилниот гас може да произведе токсичен гас ако дојде во контакт со оган, како на пример од греалка, шпорет или уред за готвење.
Изложеноста на овој гас може да предизвика сериозна повреда или смрт.
- **Исклучете го уредот од електричната мрежа пред вршењето на каква било електрична работа.**
Поврзете го кабелот за поврзување правилно.
Погрешното поврзување може да резултира со оштетени електрични делови.
- **Користете ги одредените кабли за електричните врски и цврсто прикачете ги жиците на делот за поврзување на клемата, така што надворешната сила нема да притиска на терминалот.**
- **Не заборавајте да обезбедите заземјување.**
Не заземјувајте ги уредите на цевки за гас, цевки за вода, громобрани или телефонски жици. Некомплетното заземјување може да предизвика сериозна опасност од електричен удар од што може да дојде до повреда или смрт.
- **Безбедно отстранете ги во отпад материјалите од пакувањето.**
Материјалите за пакување, како што се клинците и други метални или дрвени делови, може да предизвикаат убои или други повреди. Распарчете ги и фрлете ги пластичните кеси за пакување за децата да не си играат со нив. Децата кои си играат со пластични кеси се соочуваат со опасност од задушување.
- **Не монтирајте го уредот близу до концентрации на запаливи гасови или до испарувања од гас.**
- **Не заборавајте да ги употребите испорачаните или точно утврдените делови за монтажа.**
Употребата на други делови може да доведе до олабавување на уредот, протекување вода, струен удар, пожар или оштетување на опремата.
- **Кога го инсталирате или преместувате системот, не дозволувајте да влезе воздух или каква било друга супстанца во колото за ладење, освен утврденото средство за ладење (R410A/R32).**
- **Никогаш не менувајте ја оваа единица со отстранување на кое било од заштитните средства или прескокнувајќи ги безбедносните прекинувачи за блокирање.**
- **Електричната работа треба да се врши во согласност со упатството за монтажа и националните, државните и локалните норми за електрично поврзување.**
- **Уверете се дека користите посебно електрично коло. Никогаш не делете го истиот штекер со други апарати.**

1. ПОДГОТОВКА ЗА МОНТИРАЊЕ

⚠ ПРЕДУПРЕДУВАЊЕ

- Со цел да се избегне катастрофа поради ненамерно ресетирање на топлинскиот прекинувач, овој апарат не смее да се напојува преку надворешен прекинувачки уред, како што е тајмер, или да е поврзан на струјно коло што редовно се вклучува и исклучува од уредот.
- Користете ги пропишаните кабли за струјно поврзување, заштитени со изолација, кои имаат соодветна температурна оценка.
Несоодветните кабли може да предизвикаат електрично протекување, неправилно производство на топлина или пожар.
ЗАБЕЛЕШКА: Следните информации се потребни за да можат единиците да го прифатат R32/R290 средство за ладење.
- Апаратот треба да се чува во просторија каде што нема постојана работа на извори за палење. (на пример: каде што има отворен пламен, гасен апарат којшто работи или електричен греач којшто работи).
- Не прободувајте или спалувајте.
- Бидете свесни дека средствата за ладење можеби немаат миризба.
- Треба да се почитува усогласеноста со националните регулативи за гас.
- Апаратот треба да се чува во добро проветрена просторија, каде што големината на просторијата соодветствува со собната област којашто е одредена за работење.
- Уредот треба да се монтира, ракува и чува во просторија чијашто подна површина е поголема од $X \text{ m}^2$, инсталацијата на цевководот треба да биде сведена на минимум $X \text{ m}^2$ (ве молиме погледнете ја следната слика).
- Апаратот не смее да се монтира во непроветрен простор, ако тој простор е помал од $X \text{ m}^2$ (ве молиме погледнете ја следната слика). Просториите каде што се сместени цевките за средството за ладење треба да бидат во согласност со националните регулативи за гас.

Модел(Btu/h)	Количина на средството за ладење која треба да се наполни (kg)	максимална висина на монтирањето (m)	Минимална собна површина (m^2)
≤30000	≤2,048	1,8m	4
		0,6m	35
30000-48000	2,048-3,0	1,8m	8
		0,6m	80
>48000	>3,0	1,8m	9
		0,6m	80

Забелешка за флуорираните гасови

- Овој клима уред содржи флуорирани гасови. За специфични информации во врска со типот и количината на гасот, ве молиме погледнете на соодветната етикета, на самиот уред.
- Инсталирањето, сервисирањето, одржувањето и поправката на овој уред, мора да се извршува од страна на овластен техничар.
- Деинсталирањето и рециклирањето на производот мора да се изврши од страна на овластен техничар.
- Ако системот има инсталиран систем за откривање на истекување, треба да се проверува за протекување барем на секои 12 месеци.
- Кога единицата се проверува за истекување, се препорачува водење на соодветно евидентирање на сите проверки.

1. ПОДГОТОВКА ЗА МОНТИРАЊЕ






ПРЕТПАЗЛИВОСТ

Овој симбол укажува на можноста за оштетување на имотот или сериозни последици.

- За да се избегне телесна повреда, бидете внимателни при ракувањето со делови со остри рабови.
- Не ги монтирајте внатрешните или надворешните единици на локација со посебни услови на животната средина.
- Не монтирајте на место каде што може да се засили нивото на бучава на единицата или каде што бучавата и испуштениот воздух може да ги вознемируваат соседите.
- Безбедно извршете одводнување/цевковод во согласност со упатството за инсталација. Несоодветните цевки за одвод може да резултираат со протекување на водата и оштетување на имотот.
- Не монтирајте го клима уредот на следниве места.
 - Место каде што има минерално масло или арсенова киселина.
 - Место каде корозивните гасови (како што се гас од сулфурна киселина) или запаливите гасови (како што е разредувач) може да се акумулираат или соберат или каде што се ракува со испарливи согорливи материји.
 - Место каде што има уреди кои произведуваат електромагнетни полиња или хармонија од висока фреквенција.

1.2 ДОДАТОЦИ

Следниве додатоци се испорачани со уредот. Видот и обемот може да се разликуваат во зависност од спецификациите.

Име на додатоци	Кол. (парчиња)	Форма	Употреба
Прирачник	3		<Прирачник за монтирање>, <Упатство за корисникот>, <Упатство за далечинскиот управувач> (или <Упатство за жичен управувач>)
Дихтунг	1		Затворете го вентилот за дренажа за надворешната единица.
Приклучок за одвод	1		Поврзете го цреволото за одвод за надворешната единица.
Филтер за стега	1		За согласност со стандардите на EMC (Се користи за внатрешни/надворешни жици за поврзување)
Кука	2		За инсталација

Следниве додатоци се за далечинскиот управувач.

Име на додатоци	Кол. (парчиња)	Форма	Употреба
Далечински управувач	1		За далечински да се контролира клима уредот
Држач за далечински управувач	1		За држење на далечинскиот управувач на ѕид
Завртка со бургија	2		За да се фиксира држачот на далечинскиот управувач
Батерија	2		За далечински управувач

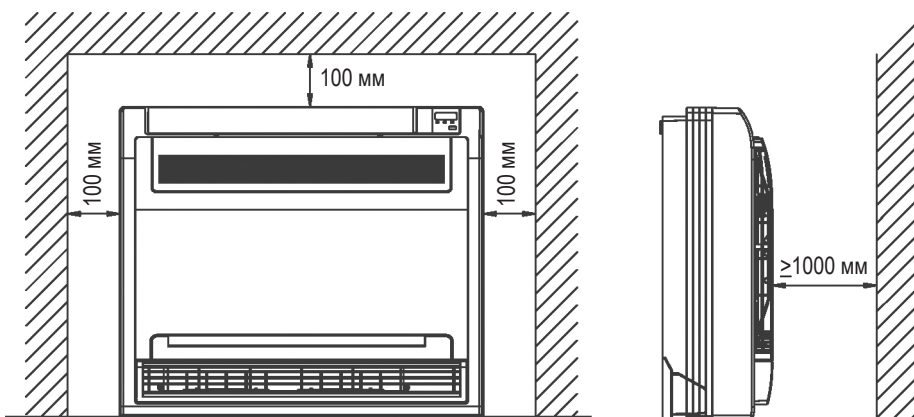
Забелешка: Додатоците поврзани со далечинскиот управувач ќе бидат недостапни за моделите со жичен управувач. За додатоците на жичениот управувач, погледнете го упатството за жичен управувач дадено во прилог.

2. МОНТИРАЊЕ НА ВНАТРЕШНАТА ЕДИНИЦА

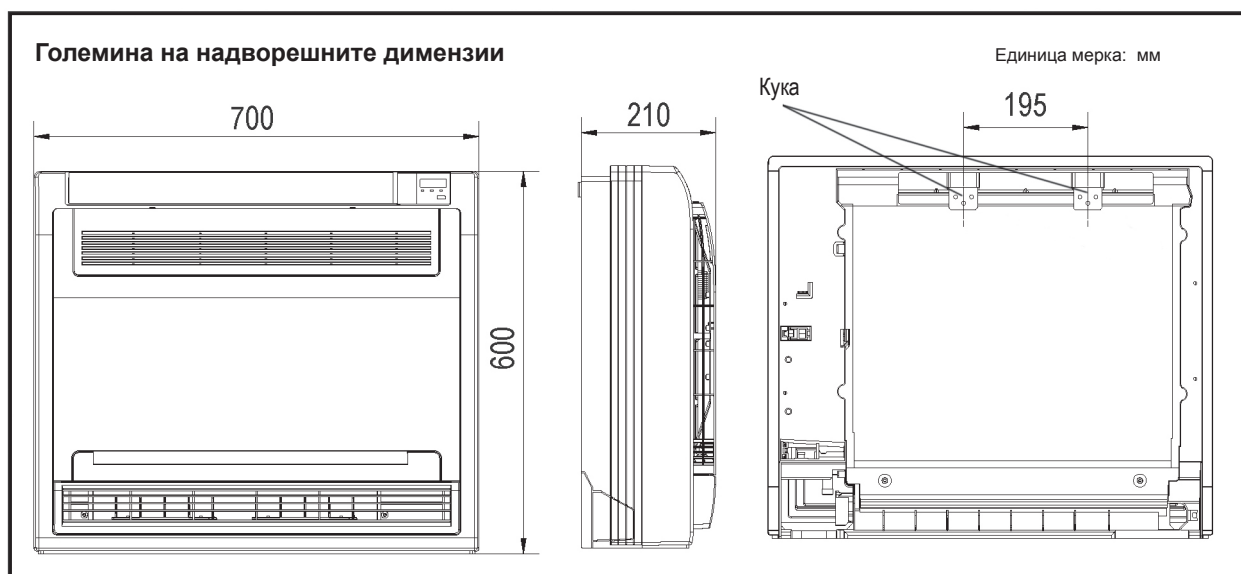
2.1 ИЗБОР НА МЕСТО ЗА МОНТИРАЊЕ

ВНАТРЕШНА ЕДИНИЦА

- Каде што не е на директна сончева светлина.
- Каде што протокот на воздух не е блокиран.
- Каде што е обезбедена оптимална распределба на воздухот.
- Каде што кондензатот може да се исцеди правилно и безбедно.
- Монтирајте ја внатрешната единица на ѕид/таван кој спречува вибрации и е доволно силен за да се одржи тежината на производот.
- Оставете доволно простор околу внатрешната единица за одржување и сервисирање.
- Каде филтерот за воздух може да се отстрани и да се исчисти лесно.
- Место каде што цевководот помеѓу внатрешните и надворешните единици е во рамките на дозволените граници.
- Монтирајте ја внатрешната единица на растојание од 1 метар или повеќе од телевизор или радио за да спречите искривување на екранот или создавање бучава.
- Монтирајте ја внатрешната единица најдалеку што може од флуоресцентни и блескави светилки, за далечинскиот управувач да може да се управува добро.



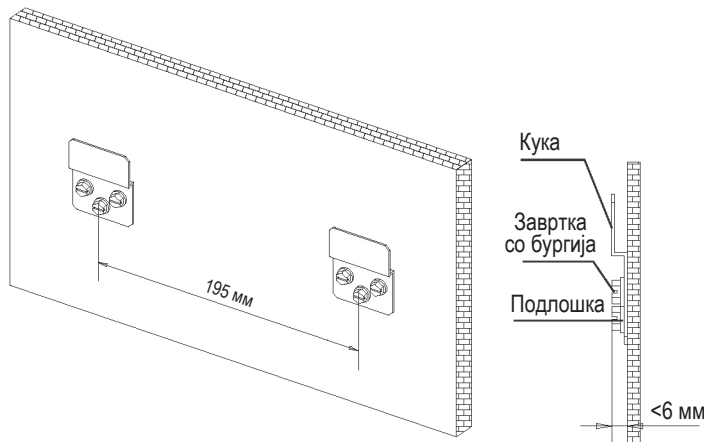
ПОТРЕБЕН ПРОСТОР ЗА ВНАТРЕШНАТА ЕДИНИЦА



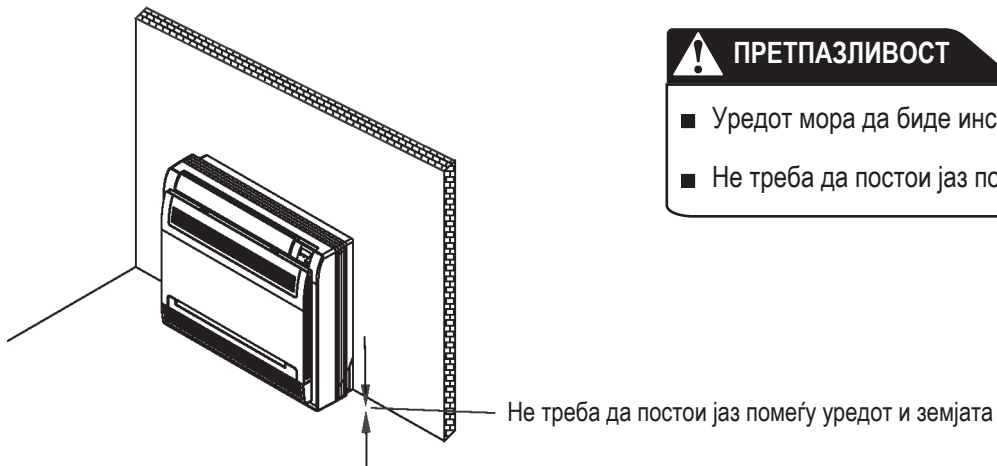
2. МОНТИРАЊЕ НА ВНАТРЕШНАТА ЕДИНИЦА

2.2 МОНТИРАЊЕ НА ВНАТРЕШНАТА ЕДИНИЦА

2.2.1 Фиксирање на куката на ѕидот со помош на завртка со бургија.



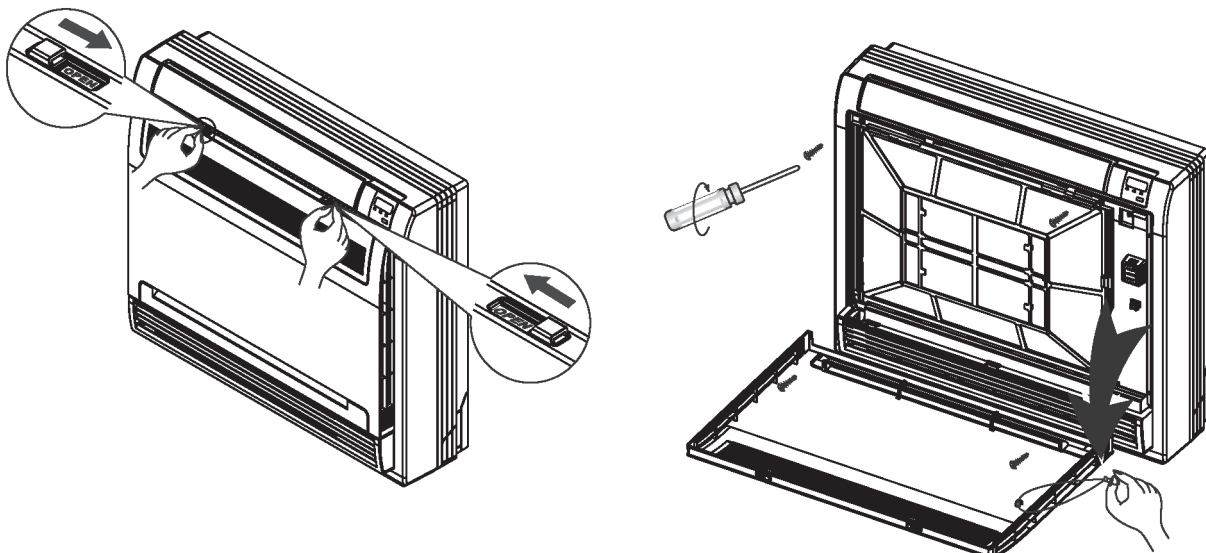
2.2.1 Закачете ја внатрешната единица на куката.



2.3 КАКО ДА ГИ ПОВРЗЕТЕ ЦЕВКИТЕ И ЖИЦИТЕ

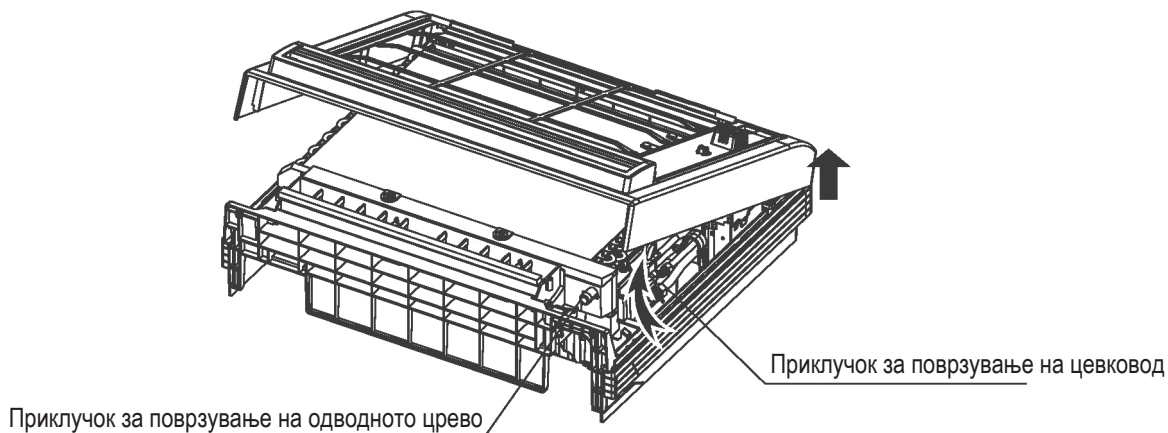
2.3.1 Притиснете на два прекинувачи истовремено, потоа отворете го панелот.

2.3.2 Отстранете ја жицата и извадете го панелот.

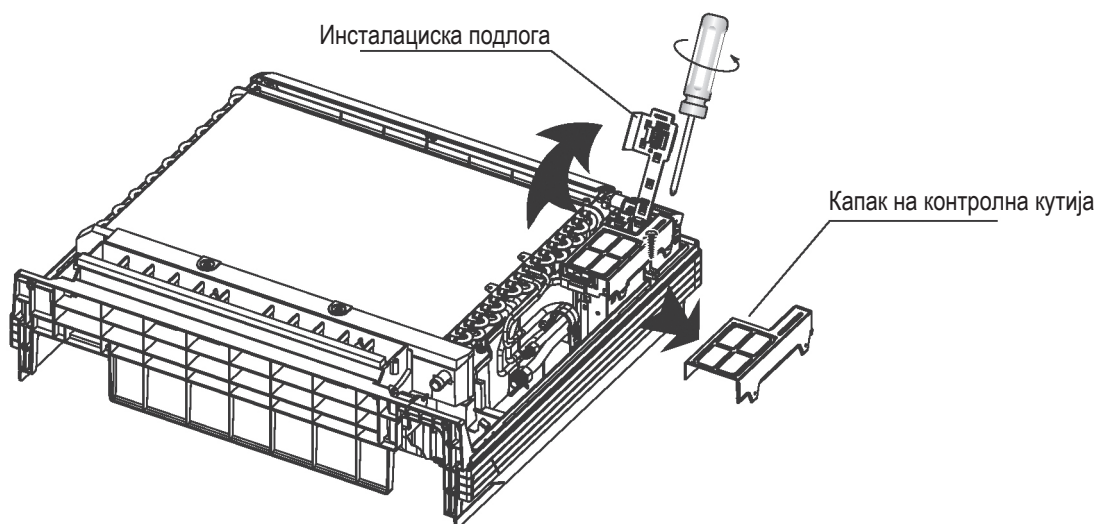


2. МОНТИРАЊЕ НА ВНАТРЕШНАТА ЕДИНИЦА

2.3.3 Отстранете ги четирите завртки, а потоа отстранете ја рамката од долната страна.
Приклучокот за поврзување на цевководот и приклучокот за поврзување на одводното црево може да се забележат по вадењето на рамката.

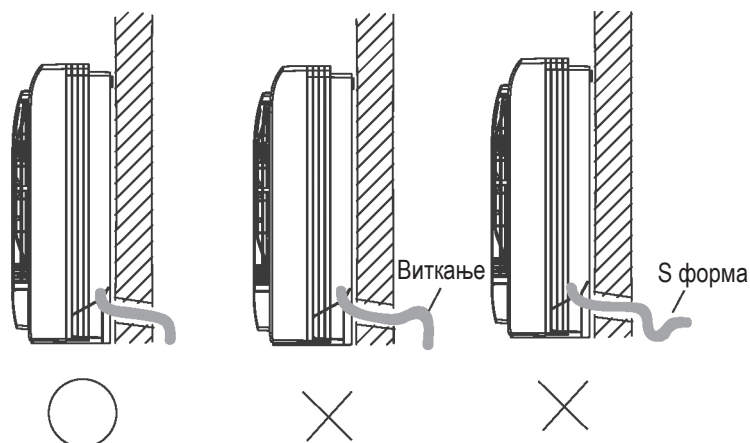


2.3.4 Отстранете ја подлогата за инсталацијата и извадете ја контролната кутија со осигурувачи.
Може да се забележи завршетокот на жиците.



2.4 МОНТИРАЊЕ НА ОДВОДНАТА ЦЕВКА

Одводната линија не смее да има пречка по должина, мора да оди надолу и мора да биде изолирана до надворешниот ѕид.

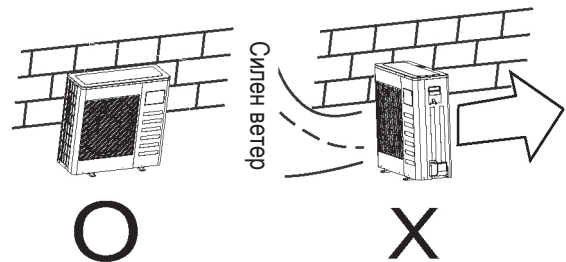


3. МОНТИРАЊЕ НА НАДВОРЕШНАТА ЕДИНИЦА

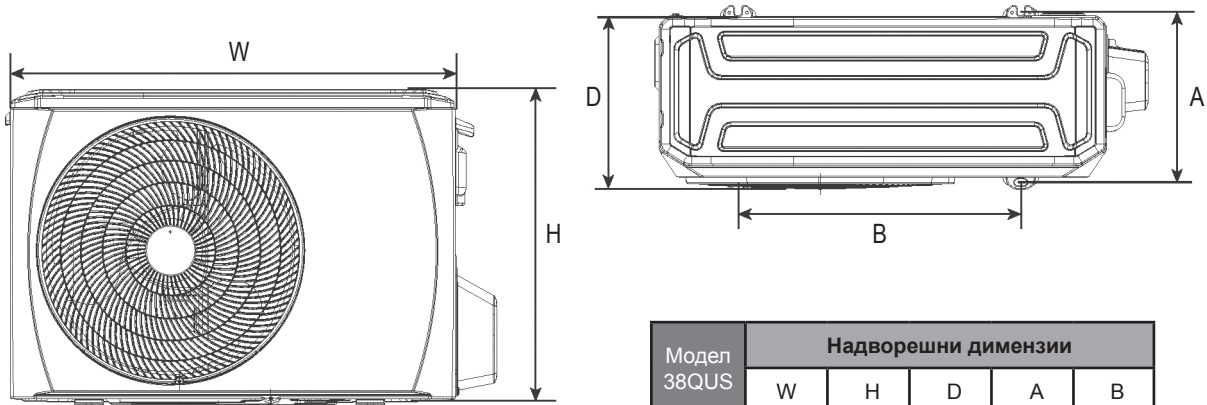
3.1 ИЗБОР НА МЕСТО ЗА МОНТИРАЊЕ

НАДВОРЕШНА ЕДИНИЦА

- Место што се наоѓа подалеку од дожд и директна сончева светлина.
- Место што е добро проветрено и нема пречки близу влезот за воздух и излезот за воздух.
- Место што не ја зголемува бучавата при работењето или вибрациите на надворешната единица.
- Место што не предизвикува никаков проблем при одводот на испуштената вода.
- Место што е доволно силно за да ја издржи тежината на надворешната единица.
- Место каде што е обезбедено соодветно растојание, како што е наведено
- Место каде што цевководот помеѓу внатрешните и надворешните единици е во рамките на дозволените граници.
- Во областите со снежни врнежи и ниски температури, избегнувајте монтирање на надворешната единица на места каде што може да ја покрие снегот. Ако се очекуваат обилни врнежи од снег, треба да се монтираат обезбедените држачи за мраз и штитник за ветер за да се заштити уредот од акумулација на снег и блокада на отворот за воздух.
- При монтирањето на надворешната единица на место што е постојано изложено на силен ветер, се препорачува да се користи штитник за ветер.



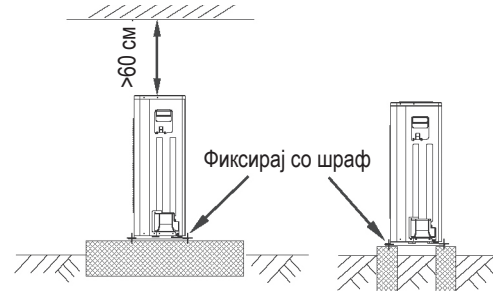
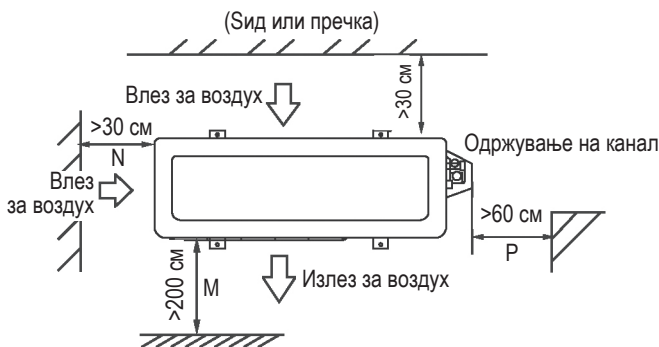
3.2 МОНТАЖНИ ДИМЕНЗИИ НА НАДВОРЕШНАТА ЕДИНИЦА



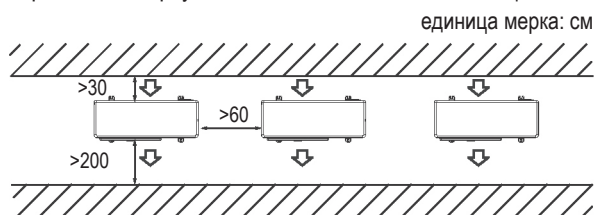
3. МОНТИРАЊЕ НА НАДВОРЕШНАТА ЕДИНИЦА

3.3 ПОТРЕБЕН ПРОСТОР ЗА НАДВОРЕШНАТА ЕДИНИЦА

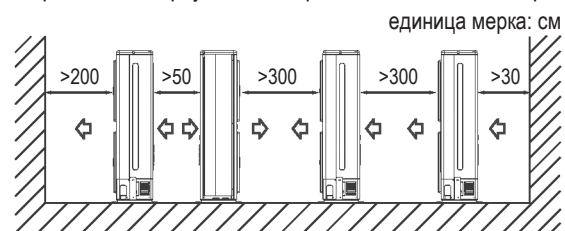
Монтирање на поединечна единица



Паралелно поврзување на две или повеќе единици

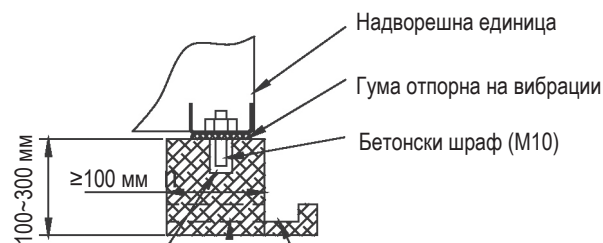


Паралелно поврзување на предните со задните страни.



3.4 МОНТИРАЊЕ НА НАДВОРЕШНАТА ЕДИНИЦА

- Пред монтирањето, проверете дали основата е доволно цврста и дали е порамнета за да не се создава невообичаен звук.
- Цврсто фиксирајте ја основата со бетонски шrafoви (M10) за да ја спречите да не падне.
- Монтирајте ги основата и гумите отпорни на вибрации за директна поддршка на долната површина на ногарка за фиксирање што е во контакт со долната плоча на надворешната единица.

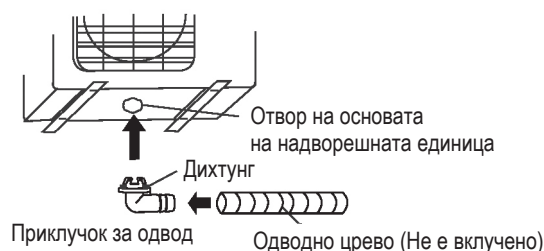


Дупка во малтерот ($\varnothing 100$ мм x длабочина 150 мм)

Одвод (ширина 100 мм x длабочина 150 мм)

3.5 МОНТИРАЊЕ НА ОДВОДНАТА ЦЕВКА ЗА НАДВОРЕШНАТА ЕДИНИЦА

- Поврзете го излезот на одводот со продолжително црево за одводнување.
- Наместете го дихтунгот на одводниот приклучок.
- Вметнете го одводниот приклучок во основната дупка на надворешната единица и свртете за 90 степени за безбедно да ги споите.



4. МЕСТЕЊЕ НА ЦЕВКИТЕ ЗА ЛАДЕЊЕ

⚠ ПРЕТПАЗЛИВОСТ

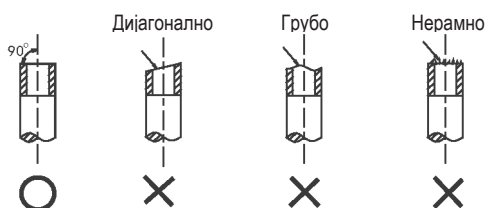
- Проверете дали разликата во висина помеѓу внатрешната единица и надворешната единица и вкупната должина на цевката за ладење ги исполнуваат барањата на системот.
- Работата на цевките за ладење следи по монтажата на внатрешната единица и надворешната единица, прво поврзете ја цевката на внатрешната страна, а потоа на надворешната страна.
- Секогаш чувајте ги краевите на цевките затворени со тоа што ќе ставите капаче или ќе ги покриете со лента за време на монтирањето и НЕ ги отстранувајте сè додека не сте подготвени да ги поврзете цевките.
- Осигурајте се да се изолира секоја област на цевката сè до поврзувањето на цевките внатре во единицата. Секоја изложена цевка може да предизвика кондензација или изгореници ако се допре.

4.1 ЛЕМЕЊЕ

ЗАБЕЛЕШКА

- Алати што се потребни за лемење се сечач за цевки, развртувач, апарат за лемење и држач за цевки.
- За моделите со R32 средство за ладење, точките за приклучок на цевките мораат да бидат поставени надвор од просторијата.

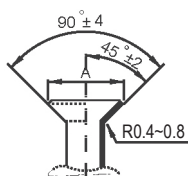
4.1.1 Со помош на сечачот за цевки, исечете ја цевката до саканата должина. Осигурете се дека засечениот раб останува на 90° од страната на цевката.



4.1.2 Користете развртувач за да ги отстраните нерамнините со површината за сечење свртена надолу за да не влегуваат деланки во цевката.

4.1.3 Извршете го лемењето со употреба на алатките за лемење прикажани подолу.

Надворешен дијаметар	A(мм)	
	Максимум	Минимум
Ø6,35 мм	8,7	8,3
Ø9,52 мм	12,4	12,0
Ø12,7 мм	15,8	15,4
Ø15,88 мм	19,0	18,6
Ø19,05 мм	23,3	22,9

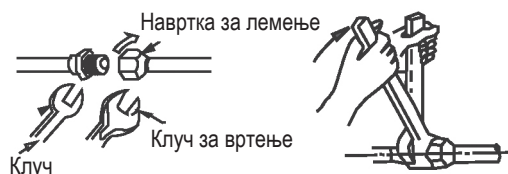


4.1.4 Проверете дали лемењето е правилно направено. Видете го примерот на погрешно залемени цевки подолу.



4.2 МЕСТЕЊЕ ЦЕВКИ

4.2.1 Порамнете го центарот за да ја стегнете навртката за лемење и завршете го поврзувањето со помош на два клуча.



Големина на цевки	Вртежен момент
Ø6,35 мм	18 ~ 20 N.m
Ø9,52 мм	25 ~ 26 N.m
Ø12,7 мм	35 ~ 36 N.m
Ø15,88 мм	45 ~ 47 N.m
Ø19,05 мм	65 ~ 67 N.m

4.2.2 Одберете го соодветниот материјал за изолација на цевката за ладење.
(Мин. 10 мм, пена за топлинска изолација С)

- Користете посебна топлинска изолација за цевките за гас и течност.
- Дебелината погоре е стандард на внатрешната температура од 27°C и влажност од 80%. Ако монтирате во неповолни услови, како на пример, во близина на бањи, кујни и други слични локации, зајакнете ја изолацијата.
- Температурата на изолацијата отпорна на топлина треба да биде повеќе од 120°C.
- Користете ги лепилата на делот на врската со изолација за да се спречи да навлезе влага.
- Поправете и покриете на сите можни пукнатини на изолацијата особено проверете го свитканиот дел или закачалката на цевката.

⚠ ПРЕТПАЗЛИВОСТ

- Во случај на потреба од лемење, работете со азотен гас.
- Несоодветен вртежен момент ќе предизвика штета од искри или истекување гас.

4. МЕСТЕЊЕ НА ЦЕВКИТЕ ЗА ЛАДЕЊЕ

4.3 ЛАДИЛНИ ЦЕВКИ

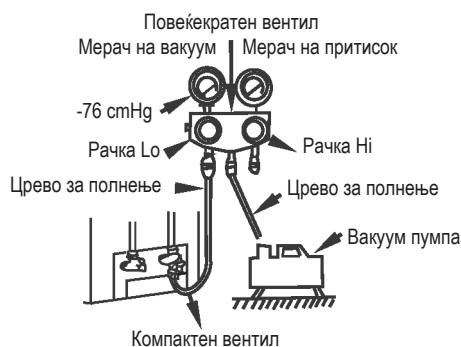
Модел 38QUS	Течна страна	Гасна страна	Дозволена должина на цевката (м)	Макс. разлика во висина (м)	Должина без полнење (м)	Дополнително полнење по метар (R410A/R32)
009/012	Ø6,35 мм	Ø9,52 мм	25	10	5	15/12 g/m
018	Ø6,35 мм	Ø12,7 мм	30	20	5	15/12 g/m

ЗАБЕЛЕШКА: 1) Ве молиме користете соодветни алатки за системот R410A/R32;

2) Кога должината на цевката е над 5 метри, дополнителното ладење треба да се додаде според должината на цевките.

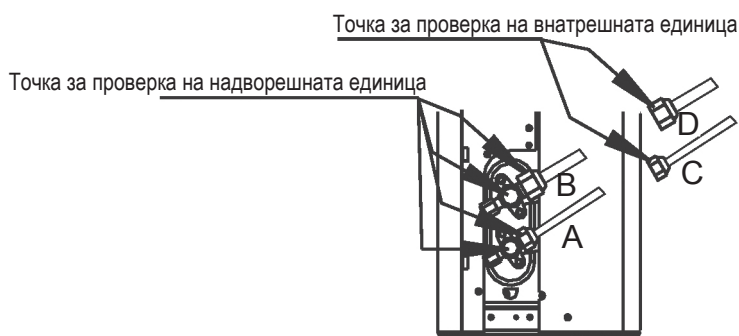
4.4 ЕВАКУАЦИЈА НА ВОЗДУХ

- Поврзете го цреводо за полнење од многукратниот мерач со сервисниот приклучок на вентилот за гас.
- Поврзете го цреводо за полнење на излезот на вакуум пумпата.
- Целосно отворете ја рачката Lo на повеќекратниот мерач.
- Вклучете ја вакуум пумпата за евакуација на воздухот од системот до 76 cmHg.
- Затворете ја рачката Lo на повеќекратниот мерач.
- Целосно отворете ги компактните вентили.
- Извадете го цреводо за полнење од сервисниот приклучок.
- Цврсто затегнете ги капачињата на компактните вентили.



4.5 ТЕСТ ЗА ПРОТЕКУВАЊЕ

Откако работата со цевките е завршена, бидете сигурни да го проверите делот со поврзувањето од секоја цевка за ладење и да потврдите дека не постои истекување на гас, со примена на вода со сапуница на нив или со користење на детектор за течење специфичен за HFC фреони. Погледнете ја сликата подолу за илустрација.



A: Вентил за стопирање на низок притисок

B: Вентил за стопирање на висок притисок

C и D: Навртки за лемење на внатрешната единица

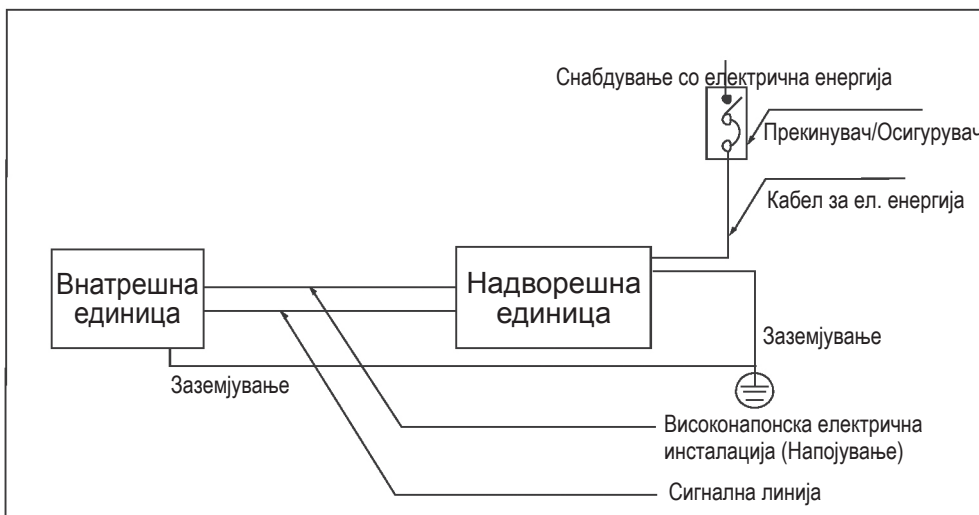
5. ЖИЧЕНА ИНСТАЛАЦИЈА

⚠ ПРЕТПАЗЛИВОСТ

- Сите електрични поврзувања мора да се вршат од страна на квалификувани монтери и целата електрична инсталација мора да биде поврзана во согласност со дијаграмот за електрична инсталација.
- Направете заземјување пред сите други електрични поврзувања.
- Сите извори на енергија мора да бидат исклучени пред вршењето електрични работи и не вклучувајте ја струјата додека не се уверите дека сите електрични инсталации се проверени за безбедност.
- Мора да биде инсталиран главен прекинувач и прекинувач на струјното коло или осигурувач, а капацитетот треба да биде 1,5 пати над максималната струја во колото.
- Мора да биде достапно посебно струјно коло и еден штекер што ќе се користи само за овој уред.
- Пресекот на жица е во зависност од номиналната вредност на струјата и националните, државните и локалните норми за електрична инсталација. Погледнете ги локалните норми за градба и националниот електричен кодекс за посебни барања.
- Ако кабелот за напојување е оштетен, тој мора да биде заменет од страна на производителот, овластениот сервисер или лице со слична квалификација за да се избегнат опасности.
- Уредот мора да биде поврзан со главното напојување со помош на прекинувач на струјниот круг или со прекинувач со раздвоен контакт од најмалку 3 мм во сите полови. Се препорачува монтажа на заштитен уред за диференцијална струја (RCD), кој има номинален остаток од оперативната струја што не надминува 30mA.

5.1 НАПОЈУВАЊЕ ОД НАДВОРЕШНА СТРАНА

- Слика за електрична инсталација



- Снабдување со електрична енергија и спецификација за поврзување на електричната инсталација

Модел(Btu/h)		9k	12k	18k
Напојување	Фаза	1-фаза	1-фаза	1-фаза
	Фреквенција и волти	220-240V~ 50Hz	220-240V~ 50Hz	220-240V~ 50Hz
Номинална струја		10A	10A	11A
Класификација на осигурувачот(не е снабдено)		20A	20A	20A
Кабел за напојување(не е снабдено)		H07RN-F; 3×2.5mm ²	H07RN-F; 3×2.5mm ²	H07RN-F; 3×2.5mm ²
IВнатрешно/надворешно поврзувачко ожичување (не е снабдено)		H07RN-F; 4×1.5mm ²	H07RN-F; 4×1.5mm ²	H07RN-F; 4×2.5mm ²

ЗАБЕЛЕШКА ЗА СПЕЦИФИКАЦИИТЕ НА ОСИГУРУВАЧОТ:

(применливо само за единиците коишто прифаќаат R32 средство за ладење, каде што осигурувачот е направен од керамика.)

1. Спецификацијата на осигурувачот на надворешната единица е T20A/250VAC(за <24000Btu/h единица), T30A/250VAC(за >24000Btu/h единица)
2. Спецификацијата за осигурувачот на внатрешната единица е T5A/250VAC, T10A/250VAC.

6. КРАЈНА ПРОВЕРКА И ПРОБНО РАБОТЕЊЕ

6.1 СПИСОК ЗА ПОСЛЕДНА ПРОВЕРКА

За да ја завршите монтажа, извршете ги следниве проверки пред пробното работење.

- Јачината на местото за монтажа и за внатрешната и за надворешната единица, потврдете дека нема пречка на влезот и излезот на воздух на единицата.
- Цврстината на поврзувањето на ладилните цевки и потврдете дека нема протекување
- Поврзувањата на електричните инсталации се правилно извршени и уредот е поврзан со заземјување
- Проверете ја вкупната должина на цевководот и заведете ја големината на дополнителните цевки за ладење
- Снабдувањето со електрична енергија треба да е во согласност со номиналниот напон на клима уредот
- Изолација на цевката
- Одвод

6.2 РАЧНО РАБОТЕЊЕ

До рачно работење може да се пристапи со притискање на копчето за рачна работа на панелот на екранот.

Притиснете го копчето за рачно работење неколку пати за да ги промените режимите на следниот начин:

- Еднаш = AUTO режим [греење, ладење или вентилатор 24°C и автоматска брзина на вентилаторот.
- Двапати = режим на COOLING [се префрлува во AUTO режим по 30 минути (главно се користи за тестирање)].
- Трипати = OFF.

6.3 ПРОБНО РАБОТЕЊЕ

Поставете ја климатизацијата во режим COOLING со далечинскиот управувач (или рачното копче) и проверете го статусот на работење и на внатрешната единица и на надворешната единица. Во случај на дефект, решете го во согласност со поглавјето „Решавање проблеми“ од „Прирачникот за сервисирање“.

Внатрешна единица

- Дали копчињата на далечинскиот управувач (како што се ON/OFF, MODE, TEMPERATURE, FAN SPEED итн.) работат добро.
- Дали перката се движи нормално.
- Дали собната температура е добро приспособена.
- Дали светлата за известување на екранот на панелот се нормални.
- Дали копчето „рачно“ работи добро.
- Дали одводнувањето е нормално.
- Дали има вибрации или необичен звук за време на работењето.
- Дали внатрешната единица работи добро во режимите COOLING или HEATING.

Надворешна единица

- Дали има вибрации или необичен звук за време на работењето.
- Дали ветерот, бучавата или кондензацијата што ги произведува клима уредот го вознемируваат вашето соседство.
- Дали има некакво протекување на фреонот.



ПРЕТПАЗЛИВОСТ

- Кога ја рестартирате единицата, ќе има околу 3 минути задоцнување за заштита на работата.

7. ИНФОРМАЦИИ ЗА СЕРВИСИРАЊЕ

7.1 ПРОВЕРКИ НА ПОДРАЧЈЕТО

Пред започнувањето со работа врз системите што содржат запаливи средства за ладење, безбедносните проверки се неопходни за да се уверите дека ризикот од палење е минимален. За поправка на системот за ладење, следниве мерки за претпазливост треба да се исполнат пред вршење работи врз системот.

7.2 РАБОТНА ПОСТАПКА

Работите ќе се извршуваат според контролирана постапка за да се намали ризикот од присуството на запалив гас или пареа додека се одвива работата.

7.3 ОПШТО РАБОТНО ПОДРАЧЈЕ

Целиот персонал за одржување и другите кои работат во локалното подрачје треба да се информираат за природата на работите што се спроведуваат и да се избегнува работа во затворен простор. Подрачјето околу работниот простор ќе биде одделено. Уверете се дека условите во подрачјето се безбедни преку контрола на запаливите материјали.

7.4 ПРОВЕРКА ЗА ПРИСУСТВО НА СРЕДСТВО ЗА ЛАДЕЊЕ

Подрачјето треба да се провери со соодветен детектор на средство за ладење пред и за време на работата, за да се уверите дека техничарот е свесен за потенцијално запаливите атмосфери. Уверете се дека опремата за детекција на протекување што се користи е соодветна за употреба со запаливи средства за ладење, т.е. без искри, соодветно запечатена или дека има внатрешна заштита.

7.5 ПРИСУСТВО НА ПРОТИВПОЖАРЕН АПАРАТ

Ако врз опремата за ладење или врз нејзините делови спроведувате топлинска обработка, при рака треба да имате соодветна опрема за противпожарна заштита. Имајте противпожарен апарат со сув прашок или CO₂ во непосредна близина на подрачјето за полнење.

7.6 БЕЗ ИЗВОРИ НА ПАЛЕЊЕ

Ниедно лице кое врши работи поврзани со системот за ладење, вклучувајќи откривање на цевките што содржат или содржеле запаливо средство за ладење, нема да користи извори на палење на таков начин што може да доведе до ризик од пожар или експлозија. Сите можни извори на палење, вклучувајќи ги и цигарите, треба да се држат на доволно растојание од локацијата за монтажа, поправка, отстранување или фрлање во отпад, затоа што запаливото средство за ладење може да се ослободи во околниот простор. Пред почетокот со работата, прегледајте го подрачјето околу опремата за да се уверите дека не постои опасност од запалување или ризик од палење. Истакнете знаци за „ЗАБРАНЕТО ПУШЕЊЕ“.

7.7 ПОДРАЧЈЕ СО ВЕНТИЛАЦИЈА

Уверете се дека подрачјето е на отворено и дека има соодветна вентилација пред да влезете во системот или да спроведете топлинска обработка. Вентилацијата во намален обем ќе остане вклучена и при спроведувањето на работата. Вентилацијата треба безбедно да го растера ослободеното средство за ладење и по можност да го исфрли надвор во атмосферата.

7.8 ПРОВЕРКИ НА ОПРЕМАТА ЗА ЛАДЕЊЕ

Составните делови што се менуваат треба да одговараат на намената и да ја имаат правилната спецификација. Во секое време треба да се почитуваат насоките на производителот во врска со одржувањето и сервисирањето. Ако се сомневате, советувајте се со техничкиот оддел на производителот за помош. Следниве проверки ќе се применат врз инсталациите што користат запаливи средства за ладење:

7. ИНФОРМАЦИИ ЗА СЕРВИСИРАЊЕ

- големината на полнењето е во согласност со големината на просторијата во којашто се монтирани деловите што содржат средство за ладење;
- машинеријата и отворите за вентилација работат соодветно и не се блокирани;
- ако се користи индиректно коло за вентилација, секундарното коло ќе се провери за присуство на средство на ладење; а ознаките на опремата и понатаму се видливи и читливи.
- ознаките и знаците што се неразбирливи ќе се поправат;
- цевката за ладење или составните делови се монтираат во позиција во којашто не е веројатно дека ќе бидат изложени на каква било супстанца што може да предизвика корозија на составните делови што го содржат средството за ладење, освен ако составните делови не се направени од материјали што се природно отпорни на корозија или се соодветно заштитени од неа.

7.9 ПРОВЕРКИ НА ЕЛЕКТРИЧНИТЕ УРЕДИ

Поправката и одржувањето на електричните составни делови треба да вклучува почетни безбедносни проверки и постапки за инспекција на составните делови. Доколку постои дефект што може да ја загрози безбедноста, тогаш колото нема да биде поврзано со електрично напојување додека истиот соодветно не се реши. Ако дефектот не може веднаш да се поправи, но е неопходно да се продолжи со работа, ќе се употреби соодветно привремено решение. Ова ќе се пријави кај сопственикот на опремата за сите страни да бидат известени.

Почетните безбедносни проверки треба да опфатат:

- дека кондензаторите се испразнети: ова треба да се направи на безбеден начин за да се избегне можноста од искрење
- дека електрични составни делови и жици под напон не се изложени при полнење, враќање или чистење на системот;
- дека има континуитет во заземјувањето.

7.10 ПОПРАВКИ НА ЗАПЕЧАТЕНИТЕ СОСТАВНИ ДЕЛОВИ

- 10.1 При поправки на запечатените составни делови, сето електрично напојување ќе се исклучи од опремата врз којашто се работи пред да се отстранат запечатените капацити и сл. Ако е апсолутно неопходно опремата да има електрично напојување при сервисирањето, тогаш форма за откривање на протекувањето што е во постојана употреба ќе се смести на најкритичната точка за да предупреди за можна опасна ситуација.
- 10.2 Особено внимание ќе се посвети на следново за да се обезбеди дека при работата врз електричните составни делови, куќиштето не е изменето на таков начин што има влијание врз нивото на заштита. Ова опфаќа оштетување на кабли, прекумерен број на поврзувања, терминали што не се направени според оригиналната спецификација, оштетување на тапите, неправилно вградување на приклучоците итн.
 - Уверете се дека апаратот е безбедно монтиран.
 - Уверете се дека тапите и материјалите за запечатување не се оштетени до таа мера што веќе не служат на намената за спречување на појавата на запаливи атмосфери. Резервните делови треба да се во согласност со спецификациите на производителот.

ЗАБЕЛЕШКА: Употребата на силикон може да ја намали ефикасноста на некои типови опрема за детекција на протекување. Составните делови со внатрешна заштита не мора да се изолираат пред работата врз нив.

7.11 ПОПРАВКИ НА СОСТАВНИТЕ ДЕЛОВИ СО ВНАТРЕШНА ЗАШТИТА

Не нанесувајте трајни индуктивни или капацитивни оптоварувања врз колото без да се уверите дека тоа нема да ги надмине дозволеният напон и струја за опремата што се користи. Составните делови со внатрешна заштита се единствените типови врз кои може да се работи под напон и во присуство на запалива атмосфера. Апаратот за тестирање треба да биде со правилна јачина. Менувајте ги составните делови само со деловите одредени од производителот. Други делови може да предизвикаат палење на средството за ладење во атмосферата поради протекување.

7. ИНФОРМАЦИИ ЗА СЕРВИСИРАЊЕ

7.12 КАБЛИ

Уверете се дека каблите нема да бидат изложени на оштетување, корозија, прекумерен притисок, вибрации, остри рабови и други негативни ефекти од околината. Проверката исто така треба да ги земе во предвид ефектите од стареењето или постојаното вибрирање од изворите како на пр., компресорите или вентилаторите.

7.13 ДЕТЕКЦИЈА НА ЗАПАЛИВИ СРЕДСТВА ЗА ЛАДЕЊЕ

Изворите за палење под никакви околности не смее да се користат за детекција на протекувања на средството за ладење. Не смее да се користи апарат за автогено заварување или кој било друг детектор што користи отворен пламен.

7.14 МЕТОДИ ЗА ДЕТЕКЦИЈА НА ПРОТЕКУВАЊЕ

Следниве методи за детекција на протекувањето се сметаат како прифатливи за системи што содржат запаливи средства за ладење.

Електронските детектори на протекување ќе се користат за откривање запаливи средства за ладење, но осетливоста можеби не е соодветна или можеби е потребна повторна калибрација. (Опремата за детекција се калибрира во простор без средства за ладење.) Уверете се дека детекторот не е можен извор на палење и дека е соодветен за средството за ладење. Опремата за детекција на протекување ќе се постави на процент од долната граница на запаливост на средството за ладење и ќе се калибрира со употребеното средство за да се потврди соодветниот процент на гас (максимум од 25%). Течностите за детекција на протекување се соодветни за употреба со повеќето средства за ладење, но употребата на детергенти што содржат хлор треба да се избегнува бидејќи хлорот може да реагира со средството за ладење и да ги кородира бакарните цевки. Ако се сомневате во протекување, отстранете ги или изгаснете ги сите отворени пламени. Ако е пронајдено протекување на средството за ладење за кое е потребно лемење, сето средство за ладење ќе се собере од системот или ќе се изолира (со вентилите за затворање) во дел од системот оддалечен од протекувањето. Азот без кислород ќе се спроведе низ системот пред и по лемењето.

7.15 ОТСТРАНУВАЊЕ И ИСПУШТАЊЕ

При влегувањето во колото за ладење за да извршите поправки или од некоја друга причина, користете ги конвенционалните постапки. Меѓутоа, важно е да се следи најдобрата практика, имајќи ја предвид запаливоста. Треба да се придржувате до следнава постапка:

- отстранете го средството за ладење;
- прочистете го колото со инертен гас;
- испуштете го;
- прочистете повторно со инертен гас;
- отворете го колото со сечење или лемење.

Наполнетото средство за ладење ќе се собере во правилните цилиндри за враќање. Системот ќе се прочисти со азот без кислород заради безбедност на единицата. Процесот можеби ќе треба да се повтори неколку пати.

За задачата нема да се користи компресиран воздух или кислород.

Прочистувањето се врши со прекинување на вакуумот во системот со азот без кислород и со продолжување на пополнувањето сè додека не се постигне работниот притисок, потоа испуштање во атмосферата и на крај постигнување вакуум. Процесот ќе се повторува сè додека има средство за ладење во системот.

Откако ќе се употреби последното полнење на азот без кислород, притисокот во системот ќе се намали до атмосферскиот притисок за да се овозможи започнување со работа. Операцијата е од особено значење доколку треба да се врши лемење на цевките. Уверете се дека излезот за вакуум пумпата не е во близина на извори на палење и дека има достапна вентилација.

7. ИНФОРМАЦИИ ЗА СЕРВИСИРАЊЕ

7.16 ПОСТАПКИ ЗА ПОЛНЕЊЕ

Покрај конвенционалните постапки за полнење, треба да се следат и следниве барања:

- Уверете се дека не се случува загадувањето на различните средства за ладење при употребата на опремата за полнење. Цревата или линиите треба да бидат што е можно пократки за да се намали количеството на средство за ладење содржано во нив.
- Цилиндриите треба да се чуваат исправено.
- Уверете се дека системот за ладење е заземјен пред да го наполните со средство за ладење.
- Ставете етикета на системот кога ќе завршите со полнењето (ако нема од претходно).
- Посветете особено внимание да не го преполните системот за ладење.
- Пред повторното полнење на системот, извршете тестирање на притисокот со азот без кислород. Системот мора да се тестира за протекување по завршувањето со полнењето, но пред ставањето во употреба. Следен тест за протекување

7.17 ПОВЛЕКУВАЊЕ ОД УПОТРЕБА

Пред извршување на постапката, од суштинско значење е техничарот целосно да ја познава опремата и сите нејзини детали. Како добра практика се препорачува безбедно враќање на сите средства за ладење. Пред спроведувањето на задачата, се зема примерок од маслото и средството за ладење.

Потребна е анализа на примерокот пред повторната употреба на вратеното средство за ладење.

Пред почетокот на задачата, важно е да има достапно електрично напојување.

- а) Запознајте се со опремата и работењето.
- б) Изолирајте го системот електрично
- в) Пред да ја пробате постапката, уверете се дека:
 - на располагање имате механичка опрема за ракување; ако е потребно, за ракување со цилиндри за ладење;
 - на располагање е сета опрема за лична заштита и истата правилно се користи;
 - постапката за враќање цело време ја надгледува стручно лице;
 - опремата за враќање и цилиндриите се во согласност со соодветните стандарди.
- г) Испумпајте го системот за ладење, ако е можно.
- д) Ако вакуум не е можен, направете колектор за средството за ладење да може да се отстрани од различни делови од системот.
- ѓ) Проверете дали цилиндарот е сместен на вага пред да започнете со враќањето.
- е) Вклучете ја машината за враќање и ракувајте со неа во согласност со упатствата на производителот.
- ж) Не преполнувајте ги цилиндриите. (Не надминувајте 80% од волуменот со течно полнење).
- з) Не надминувајте го максималниот работен притисок на цилиндарот, дури и ако е привремено.
- с) Откако цилиндриите правилно ќе се наполнат и процесот ќе заврши, погрижете се цилиндриите и опремата навремено да се отстранат од локацијата, а сите вентили за изолација на опремата да се затворат.
- и) Вратеното средство за ладење нема да се полни во друг систем за ладење освен ако не е исчистено и проверено .

7.18 ЕТИКЕТИРАЊЕ

Опремата треба да има етикета на којашто е наведено дека е повлечена од употреба и дека средството за ладење е испразнето. Етикетата треба да има датум и потпис. Проверете дали има етикети на опремата на коишто е наведено дека опремата содржи запаливо средство за ладење.

7. ИНФОРМАЦИИ ЗА СЕРВИСИРАЊЕ

7.19 ВРАЌАЊЕ

- При отстранување на средството за ладење од системот, дали за сервисирање или повлекување од употреба, се препорачува примена на безбедно отстранување на сите средства за ладење.
- При преносот на средството за ладење во цилиндрите, уверете се дека се користат соодветните цилиндри за враќање. Уверете се дека на располагање го имате точниот број цилиндри потребни за да се собере целото полнење на системот. Сите цилиндри што се користат се наменети за вратеното средство за ладење и се етикетирани за тоа средство (т.е. специјални цилиндри за враќање на средството за ладење). Вентилите за ослободување на притисокот и поврзаните вентили за затворање на цилиндрите се во добра работна состојба.
- Од празните цилиндри за враќање се испушта воздухот и, доколку е можно, истите се ладат пред враќањето.
- Опремата за враќање треба да е во добра работна состојба со збир на упатства во врска со опремата при рака и треба да е соодветна за враќање запаливи средства за ладење. Исто така, на располагање треба да имате и неколку калибрирани ваги во добра работна состојба.
- Цревата треба да се во добра состојба и да нема протекување кај приклучоците за исклучување. Пред употребата на машината за враќање, проверете дали таа е во добра работна состојба, дали е правилно одржувана и дали сите поврзани електрични составни делови се запечатени за да се спречи палење во случај на ослободување на средството за ладење. Ако се сомневате, советувајте се со производителот.
- Собраното средство за ладење ќе се врати кај набавувачот во правилниот цилиндар за враќање и со соодветна „Забелешка за пренос на отпад“. Не мешајте средства за ладење во единиците за враќање, а особено не во цилиндрите.
- Ако се отстрануваат компресорите или маслото од компресорите, уверете се дека воздухот е испуштен до прифатливо ниво за да бидете сигурни дека запаливо средство за ладење не останало во лубрикантот. Процесот на испуштање ќе се изврши пред враќањето на компресорот на набавувачот. На телото на компресорот ќе се употреби електрично затоплување за да се забрза процесот. Испуштањето на маслото од системот треба да се изврши внимателно.

7.20 ТРАНСПОРТ, ОЗНАЧУВАЊЕ И СКЛАДИРАЊЕ НА ЕДИНИЦИТЕ

1. Транспортот на опремата што содржи запаливи средства за ладење
Во согласност со регулативите за транспорт
2. Означување на опремата со помош на знаци
Во согласност со локалните регулативи
3. Фрлање во отпад на опремата што содржи запаливи средства за ладење
Во согласност со националните регулативи
4. Складирање на опремата/апаратите
Складирањето на опремата треба да биде во согласност со упатствата на производителот.
5. Складирање на спакувана (непродадена) опрема
Со заштитата на пакувањето при складирање треба да се обезбеди дека доколку дојде до механичкото оштетување на опремата во пакувањето, тоа нема да предизвика протекување на наполнетото средство за ладење.
Максималниот број парчиња од опремата што е дозволено да се складираат заедно ќе биде утврден со локалните регулативи.

Acest produs a fost conceput în conformitate cu Directiva privind tensiunea joasă (2014/35/CE) și cu Directiva privind compatibilitatea electromagnetică (2014/30/CE) a Uniunii Europene.



Eliminarea corespunzătoare a produsului (Deșeurii de echipamente electrice și electronice)

(Dacă acest aparat de aer condiționat este utilizat în țările europene, trebuie respectate următoarele instrucțiuni)

- Acest simbol afișat pe produs sau în manualul său indică faptul că echipamentul electric și electronic (WEEE, conform directivei 2012/19/UE) nu ar trebui amestecat cu alte deșeurii menajere.

Este interzisă eliminarea acestui aparat împreună cu deșeurile menajere.

Există mai multe posibilități pentru eliminare:

1. Autoritățile municipale au înființat sisteme de colectare, în care pot fi eliminate deșeurile electronice fără costuri pentru utilizator.
2. La cumpărarea unui produs nou, vânzătorul preia produsul vechi cel puțin fără costuri pentru utilizator.
3. Producătorul preia aparatul vechi pentru a-l elimina cel puțin fără costuri pentru utilizator.
4. Întrucât produsele vechi conțin resurse valoroase, acestea pot fi vândute comercianților de deșeurii metalice.

Eliminarea deșeurilor în păduri sau în natură vă pune în pericol sănătatea, întrucât substanțele periculoase ajung în pânza de apă freatică și în lanțul alimentar.

Acest produs conține gaze fluorurate care se supun Protocolului de la Kyoto

Denumirea chimică a gazului

R410A / R32

Potențialul de încălzire globală (GWP) al gazului

2088 / 675

ATENȚIE!

1. Lipiți eticheta atașată privind agentul frigorific în dreptul locației de încărcare și/sau de recuperare.
2. Scrieți clar cantitatea de agent frigorific încărcată pe eticheta agentului frigorific cu cerneală permanentă.
3. Evitați emisiile de gaze fluorurate. Asigurați-vă că gazul fluorurat nu este ventilat în atmosferă în timpul instalării, reparării sau eliminării. În cazul detectării unei scurgeri de gaze fluorurate, scurgerea trebuie oprită și remediată cât mai curând posibil.
4. Doar personalul calificat responsabil cu reparațiile poate accesa și repara acest produs.
5. Orice manipulare a gazului fluorurat din acest produs, precum mutarea produsului sau reîncărcarea gazului, trebuie să respecte Regulamentul (CE) nr. 517/2014 privind anumite gaze fluorurate cu efect de seră și orice reglementare locală relevantă.
6. Contactați furnizorii, instalatorii etc. pentru orice întrebări.

Unitate interioară	Dimensiune (UINT)	Unitate exterioară	Dimensiune (UEXT)	Tensiune nominală și Hz
42QZA009DS*	700x600x210	38QUS009DS*	770x300x555	
42QZA012DS*	700x600x210	38QUS012DS*	800x333x554	220-240V~ 50 Hz
42QZA012D8S*	700x600x210	38QUS012D8S*	800x333x554	
42QZA018DS*	700x600x210	38QUS018DS*	800x333x554	

Producătorul își rezervă dreptul de a modifica orice specificație a produsului fără notificare prealabilă.

CUPRINS

1. PREGĂTIREA PENTRU INSTALARE	3
1.1 Măsurile de siguranță	3
1.2 Accesorii	4
2. INSTALAREA UNITĂȚII INTERIOARE	6
2.1 Selectarea locului pentru instalare	6
2.2 Instalarea unității exterioare	7
2.3 Procedura de conectare a tuburilor și cablurilor	7
2.4 Instalarea tubului de evacuare	8
3. INSTALAREA UNITĂȚII EXTERIOARE	9
3.1 Selectarea locului pentru instalare	9
3.2 Dimensiunea de montare a unității exterioare	9
3.3 Cerințe privind spațiul de montare pentru unitatea exterioară	10
3.4 Instalarea unității exterioare	10
3.5 Instalarea tubului de evacuare pentru unitatea exterioară	10
4. CONECTAREA TUBULUI REFRIGERANT	11
4.1 Evazare	11
4.2 Conectarea tubului	11
4.3 Tubul refrigerant	12
4.4 Evacuarea aerului	12
4.5 Testul de etanșitate	12
5. CABLAJELE	13
6. VERIFICAREA FINALĂ ȘI TESTAREA	14
6.1 Listă de verificare finală	14
6.2 Operarea manuală	14
6.3 Testarea	14
7. INFORMAȚII PENTRU SERVICE	15



Atenție: Pericol de incendiu numai
pentru agentul frigorific R32/R290

1. PREGĂTIREA PENTRU INSTALARE

1.1 MĂSURI DE SIGURANȚĂ

- Instalarea, punerea în funcțiune și întreținerea echipamentelor de climatizare pot fi periculoase din cauza presiunilor de sistem, componentelor electrice și locației echipamentelor (acoperișuri, structuri ridicate, etc.).
- Doar instalatorii instruiți și calificați și mecanicii responsabili cu reparațiile trebuie să instaleze, să pună în funcțiune și să repare acest echipament.
- În momentul efectuării lucrărilor la echipament, respectați precauțiile din manual și de pe plăcuțele, autocolantele și etichetele aplicate pe echipament.
- Respectați toate codurile de siguranță. Purtați ochelari de protecție și mănuși de lucru. Țineți camera de stingere a arcului electric și stingătorul în apropiere pe parcursul operațiunilor de lipire. Acționați cu atenție în momentul manipulării, ancorării și fixării echipamentelor voluminoase.
- Citiți aceste instrucțiuni cu atenție și respectați toate avertismentele sau atenționările incluse în manualul furnizat împreună cu unitatea. Consultați codurile de construcție locale și Codul Electric Național pentru cerințe speciale.

AVERTISMENT

Acest simbol indică posibilitatea de vătămare corporală sau de deces.

- **Agentul frigorific este mai greu decât aerul și înlocuiește oxigenul. O scurgere masivă ar putea conduce la epuizarea oxigenului, în special în subsoluri, iar pericolul de asfixiere ar putea apărea, provocând vătămare gravă sau deces.**
- **Atunci când aparatul de aer condiționat este instalat într-o cameră mică, luați măsuri corespunzătoare pentru a păstra concentrația de agent frigorific, în cazul unor scurgeri, sub nivelul critic.**
- **Dacă agentul frigorific curge în timpul instalării, aerisiți imediat zona.**
Agentul frigorific poate produce un gaz toxic dacă intră în contact cu focul provenit de la un calorifer, aragaz sau aparat de gătit.
Expunerea la acest gaz poate provoca vătămarea gravă sau decesul.
- **Deconectați aparatul de la sursa de alimentare înainte de a efectua vreo lucrare electrică. Conectați corect cablul de conectare.**
Conectarea incorectă poate conduce la deteriorarea pieselor electrice.
- **Utilizați cablurile specificate pentru conexiunile electrice și prindeți cablurile bine pe placa de borne care conectează secțiunile, astfel încât să nu se exercite nicio forță externă asupra bornelor.**
- **Aparatul de aer condiționat trebuie împământat.**
Nu conectați firul de împământare la țevile de gaz sau apă, la un paratrăsnet sau la un fir telefonic.
O împământare incompletă poate conduce la electrocutare gravă rezultând în vătămare corporală sau deces.
- **Eliminați materialele pentru ambalaje în condiții de siguranță.**
Materialele pentru ambalaje, precum cuiele și alte piese din metal sau din lemn pot provoca plăgi înțepate sau alte leziuni.
Rupeți și aruncați pungile din plastic pentru ambalare, astfel încât copiii să nu se joace cu acestea. Copiii care se joacă cu pungi din plastic sunt expuși riscului de sufocare.
- **Nu instalați unitatea în apropierea concentrațiilor de gaz combustibil sau de vapori de gaz.**
- **Asigurați-vă că utilizați piesele de instalare furnizate sau special specificate.**
Utilizarea altor piese poate conduce la desprinderea aparatului, la scurgerea apei, la șocuri electrice, la incendiu sau la deteriorarea echipamentului.
- **În momentul instalării sau relocării sistemului, nu permiteți intrarea aerului sau a unor substanțe altele decât agentul frigorific specificat (R410A/R32) în circuitul frigorific.**
- **Nu modificați niciodată aparatul prin îndepărtarea dispozitivelor de protecție sau prin ignorarea oricăror comutatoare de blocare de siguranță.**
- **Lucrările electrice trebuie efectuate în conformitate cu manualul de instalare și codurile naționale, de stat și locale ale cablajului electric.**
- **Un circuit de alimentare dedicat trebuie utilizat. Nu utilizați niciodată aceeași priză pentru alte aparate.**

1. PREGĂTIREA PENTRU INSTALARE

AVERTISMENT

- Pentru a evita orice pericol cauzat de resetarea accidentală a declanșatorului termic, se interzice alimentarea acestui aparat folosind un dispozitiv de comutare extern, cum ar fi un temporizator, sau conectarea acestuia la un circuit care este pornit și oprit în mod regulat de furnizor.
- Utilizați cablurile prescrise pentru conexiunile electrice cu manșoane de izolare de protecție cu un gradient de temperatură corespunzător.
Cablurile necorespunzătoare pot cauza pierderi de curent electric, producerea anormală de căldură sau incendiu.
NOTĂ: Informațiile de mai jos sunt necesare pentru unitățile cu agent frigorific R32/R290.
- Aparatul trebuie să fie depozitat într-o încăpere fără surse de aprindere continuă. (de exemplu: flăcări deschise, un aparat de funcționare cu gaz sau un încălzitor electric).
- Nu perforați sau ardeți.
- Țineți cont de faptul că este posibil ca agenții frigorifici să nu aibă miros.
- Respectarea reglementărilor naționale privind gazele este obligatorie.
- Aparatul trebuie să fie depozitat într-o zonă bine ventilată, în care dimensiunea camerei corespunde zonei de cameră specificate pentru funcționare.
- Aparatul trebuie să fie instalat, operat și depozitat într-o cameră cu o suprafață mai mare decât $X \text{ m}^2$, instalarea conductelor trebuie să fie menținută la minimum $X \text{ m}^2$ (Vă rugăm să consultați formularul de mai jos).
- Aparatul nu trebuie să fie instalat într-un spațiu fără ventilație, dacă spațiul este mai mic de $X \text{ m}^2$ (Vă rugăm să consultați formularul de mai jos). Spațiile cu conductele de agent frigorific trebuie să respecte reglementărilor naționale privind gazele.

Model (Btu/h)	Cantitatea de agent frigorific care trebuie încărcat (kg)	Înălțimea maximă de instalare (m)	Suprafața minimă a camerei (m ²)
≤ 30.000	≤ 2,048	1,8 m	4
		0,6 m	35
30.000-48.000	2,048-3,0	1,8 m	8
		0,6 m	80
> 48.000	> 3,0	1,8 m	9
		0,6 m	80

Notă privind gazele fluorurate

- Această unitate de aer condiționat conține gaze fluorurate. Pentru informații specifice privind tipul și cantitatea de gaze, vă rugăm să consultați eticheta corespunzătoare de pe unitatea respectivă.
- Instalarea, service-ul, întreținerea și repararea acestei unități trebuie să fie efectuate de un tehnician autorizat.
- Dezinstalarea și reciclarea produsului trebuie efectuate de un tehnician autorizat.
- Dacă sistemul dispune de un sistem instalat pentru detectarea scurgerilor, acesta trebuie să fie verificat pentru scurgeri la cel puțin 12 luni.
- La verificarea unității privind scurgerile, se recomandă înregistrarea și evidența tuturor controalelor.

1. PREGĂTIREA PENTRU INSTALARE



ATENȚIE!

Acest simbol indică posibilitatea de deteriorare a echipamentului sau producere a unor consecințe grave.

- Pentru a evita vătămarea corporală, manipulați cu atenție piesele cu muchii ascuțite.
- Nu instalați unitățile interioare sau exterioare într-o locație cu condiții speciale de mediu.
- Nu instalați aparatul într-un loc care poate amplifica nivelul de zgomot al acestuia sau în care zgomotul și aerul evacuat i-ar putea deranja pe vecini.
- Efectuați lucrările pentru sistemul de evacuare/tubulatură în siguranță, în conformitate cu manualul de instalare. Un tub de evacuare neadecvat poate cauza curgerea apei și deteriorarea bunurilor.
- Nu instalați aparatul de aer condiționat în următoarele locuri:
 - Unde există uleiuri minerale sau acid arsenic.
 - Unde există gaz caustic (de exemplu, compuși sulfurici) sau gaze inflamabile (de exemplu, diluanți) sau unde se manipulează substanțe inflamabile.
 - Unde există echipamente care generează câmpuri electromagnetice sau armonici de înaltă frecvență.

1.2 ACCESORII

Următoarele accesorii sunt furnizate împreună cu unitatea. Tipul și cantitatea pot varia în funcție de specificații.

Denumire accesoriu	Cant. (buc.)	Formă	Utilizare
Manual	3		<Manual de instalare>, <Manual de utilizare>, <Manualul telecomenzii> (sau <Manualul controlerului cu fir>)
Garnitură	1		Etanșați orificiul de evacuare al unității exterioare.
Orificiu de evacuare	1		Conectați furtunul de evacuare al unității exterioare.
Filtru cu cleme	1		Pentru conformitate cu standardele privind Compatibilitatea electromagnetică (Utilizat pentru cablurile de conectare ale unității interioare/exterioare).
Cârlig	2		Pentru instalare

Următoarele accesorii sunt pentru telecomandă.

Denumire accesoriu	Cant. (buc.)	Formă	Utilizare
Telecomandă	1		Pentru a seta aparatul de aer condiționat de la distanță
Suport telecomandă	1		Pentru susținerea telecomenzii pe perete
Șurub cu autofiletare	2		Pentru fixarea suportului telecomenzii pe perete
Baterie	2		Pentru telecomandă

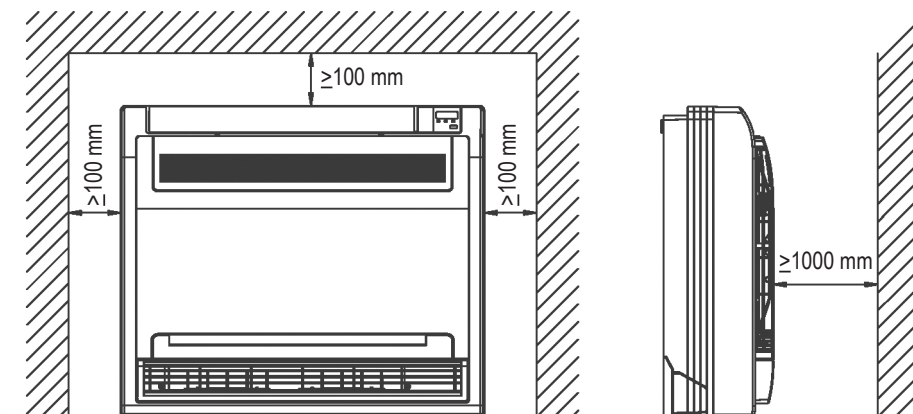
Observație: Accesoriile pentru telecomandă nu sunt disponibile la modelele prevăzute cu control fir. Pentru accesoriile controlului fir, vă rugăm să consultați manualul de utilizare a controlului fir.

2. INSTALAREA UNITĂȚII INTERIOARE

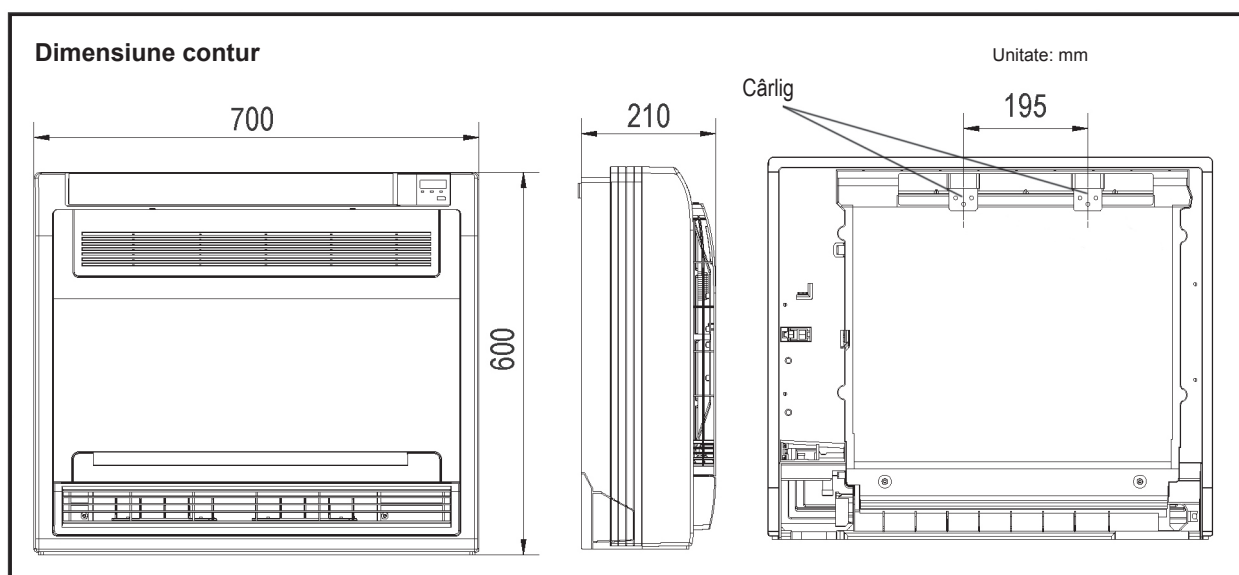
2.1 SELECTAREA LOCULUI PENTRU INSTALARE

UNITATE INTERIOARĂ

- Nu instalați unitatea sub acțiunea directă a razelor soarelui.
- Orificiile de admisie și evacuare a aerului nu trebuie să fie blocate.
- Fluxul de aer trebuie să ajungă în toată camera.
- Evacuarea condensului trebuie să se facă în mod corect și sigur.
- Peretele/plafonul trebuie să împiedice vibrațiile, iar structura sa să poată susține greutatea unității interioare.
- Trebuie să existe suficient spațiu pentru întreținere și reparare.
- Filtrul de aer trebuie să poată fi îndepărtat și curățat cu ușurință.
- O locație în care tuburile dintre unitățile interioare și exterioare sunt în limitele admisibile.
- Instalați unitatea interioară la cel puțin 1 m distanță de televizoare sau radiouri pentru a împiedica interferența cu imaginile și zgomotul.
- Instalați unitatea interioară cât mai departe posibil de luminile fluorescente sau incandescente pentru a permite funcționarea telecomenzii în mod corespunzător.



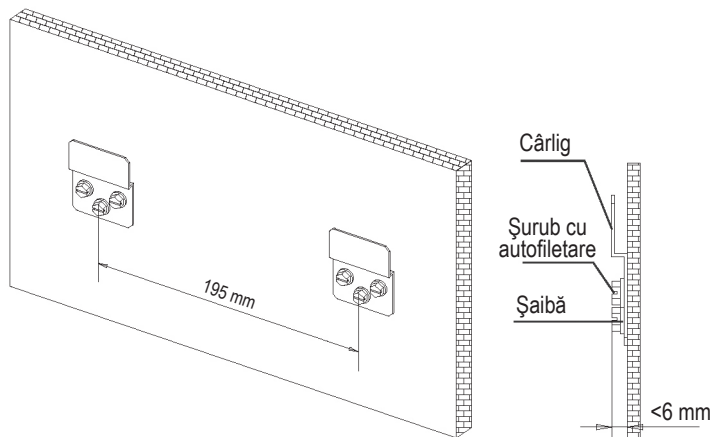
CERINȚE PRIVIND SPAȚIUL DE MONTARE PENTRU UNITATEA INTERIOARĂ



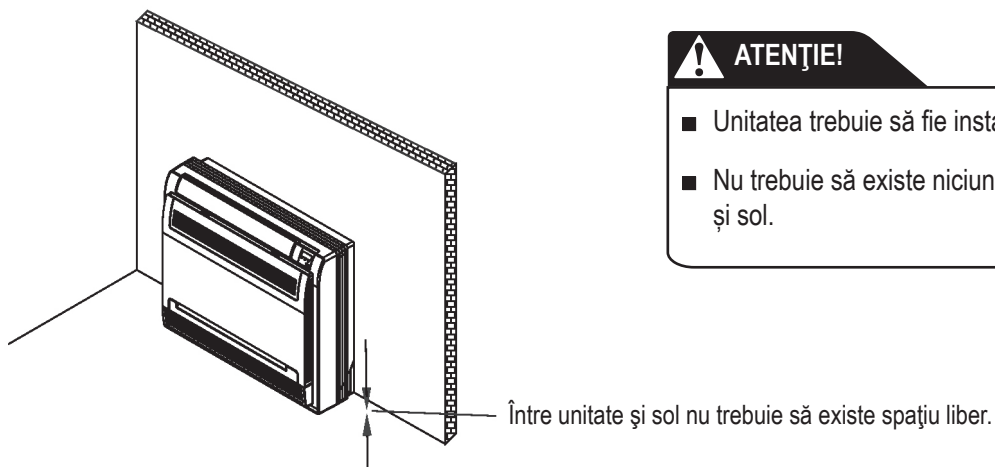
2. INSTALAREA UNITĂȚII INTERIOARE

2.2 FIXAREA UNITĂȚII INTERIOARE

2.2.1 Fixați cârligul utilizând un șurub cu autofiletare pe perete.



2.2.1 Suspendați unitatea interioară pe cârlig.



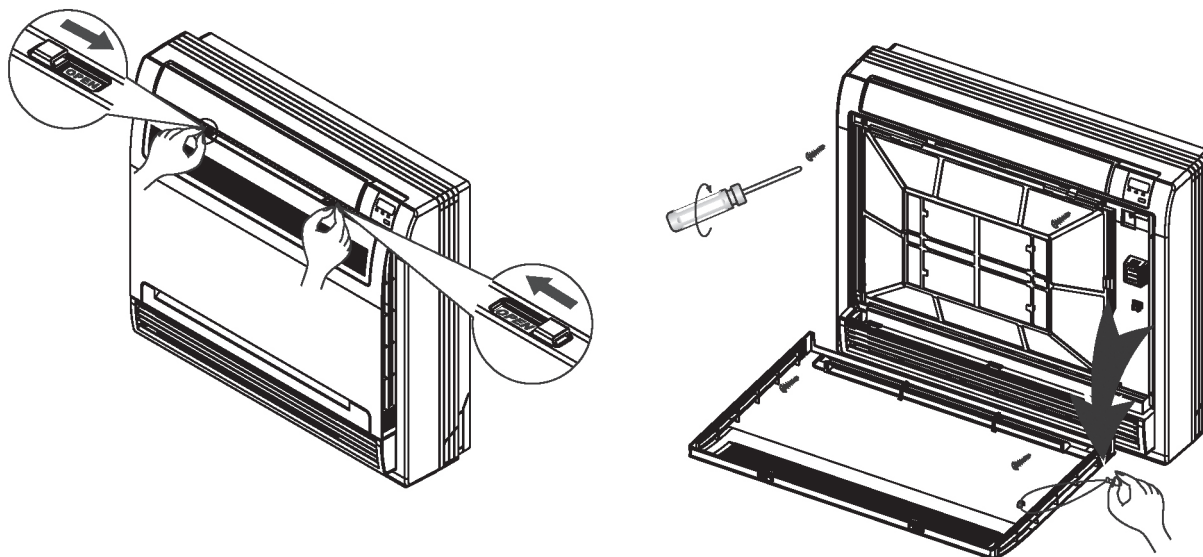
ATENȚIE!

- Unitatea trebuie să fie instalată vertical.
- Nu trebuie să existe niciun spațiu liber între unitate și sol.

2.3 PROCEDURA DE CONECTARE A TUBURILOR ȘI CABLURILOR

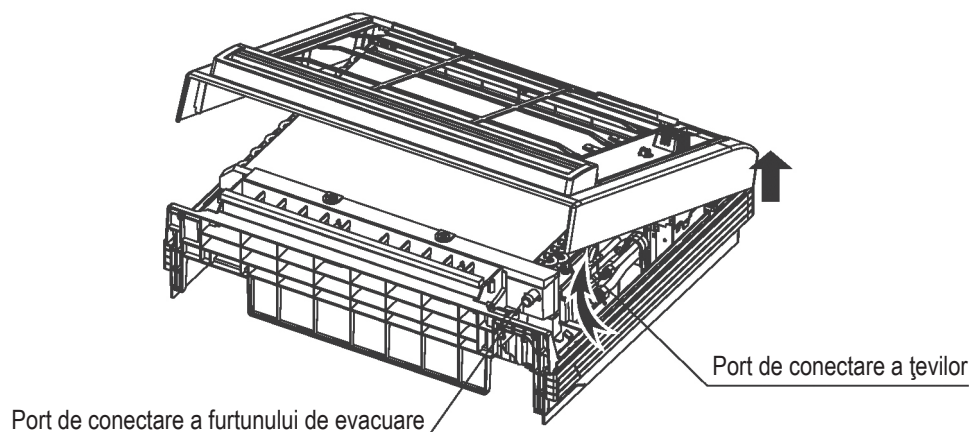
2.3.1 Împingeți cele două comutatoare simultan, apoi deschideți panoul.

2.3.2 Îndepărtați firul și scoateți panoul.

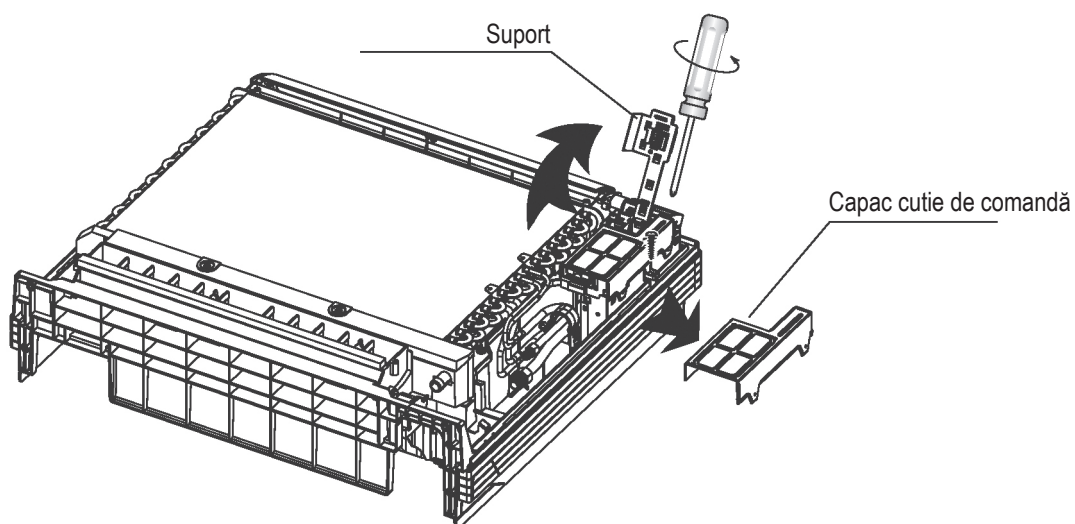


2. INSTALAREA UNITĂȚII INTERIOARE

2.3.3 Scoateți cele 4 șuruburi, iar apoi scoateți cadrul din partea inferioară. După scoaterea cadrului, se pot observa portul pentru conectarea țevilor și portul pentru conectarea furtunului de evacuare.

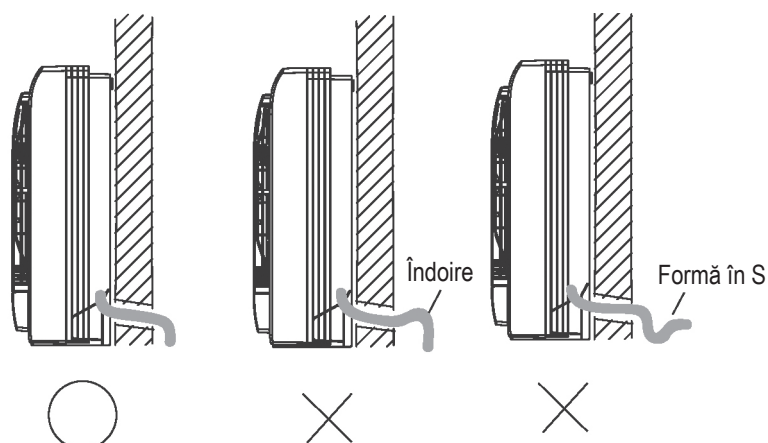


2.3.4 Îndepărtați suportul și scoateți capacul cutiei de comandă. Se poate observa terminatorul cablurilor.



2.4 INSTALAREA TUBULUI DE EVACUARE

Țeava de evacuare nu trebuie să aibă niciun sifon pe lungimea sa, trebuie să fie îndreptată în jos și trebuie să fie izolată până la peretele exterior.

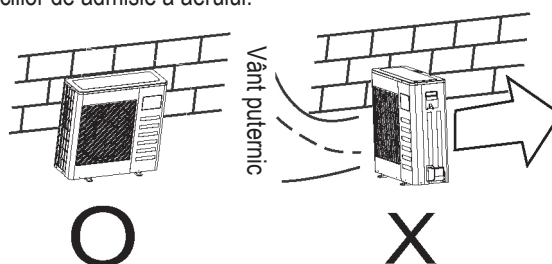


3. INSTALAREA UNITĂȚII EXTERIOARE

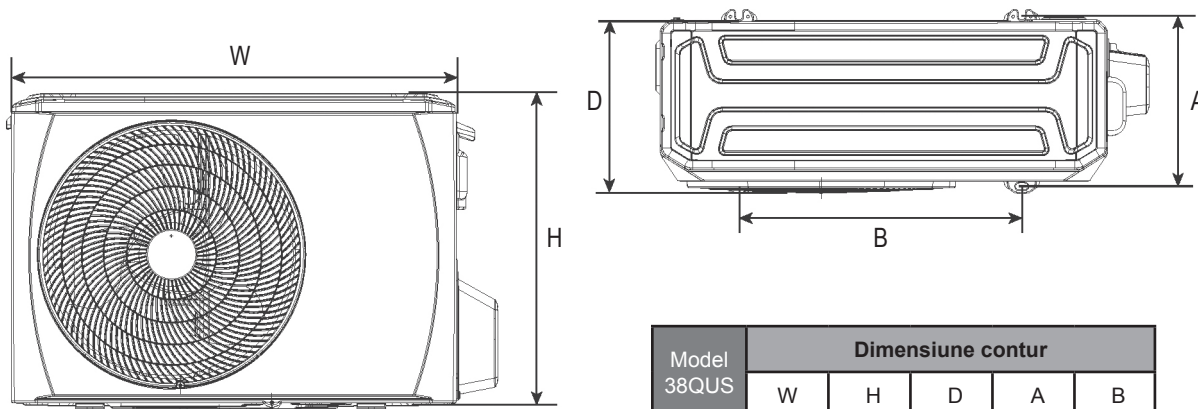
3.1 SELECTAREA LOCULUI PENTRU INSTALARE

UNITATE EXTERIOARĂ

- Nu instalați unitatea sub acțiunea directă a razelor soarelui și a ploii.
- Locația trebuie să fie bine ventilată și fără obstacole lângă orificiul de admisie și de evacuare aerului.
- Locația nu trebuie să mărească zgomotul de operare sau vibrațiile unității exterioare.
- Nu instalați unitatea într-o locație unde există probleme de evacuare a apei.
- Locația de instalare a unității exterioare trebuie să fie suficient de rezistentă pentru a susține greutatea unității exterioare.
- Trebuie să existe spațiu suficient, conform specificațiilor
- O locație în care tuburile dintre unitățile interioare și exterioare sunt în limitele admisibile.
- În regiunile cu ninsori și temperaturi scăzute, evitați instalarea unității exterioare în zonele în care aceasta ar putea fi acoperită cu zăpadă. În cazul în care se așteaptă căderi abundente de zăpadă, parazăpezi și/sau paravânturi trebuie instalate pentru a proteja unitatea împotriva acumulărilor de zăpadă și/sau a blocării orificiilor de admisie a aerului.
- La instalarea unității exterioare într-un loc care este în mod constant expus la vânt puternic, se recomandă folosirea unui deflector de vânt.



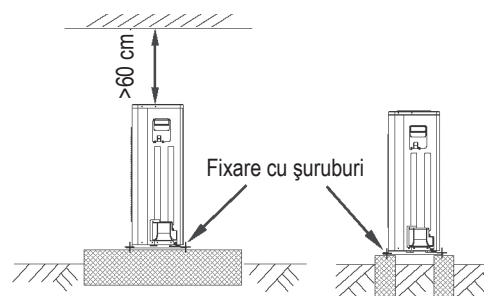
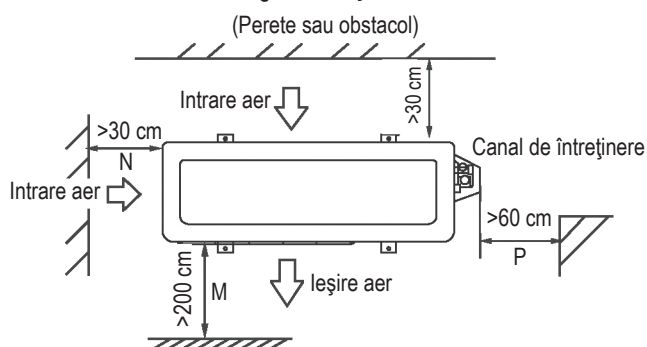
3.2 DIMENSIUNEA DE MONTARE A UNITĂȚII EXTERIOARE



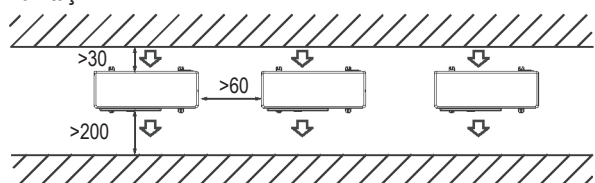
3. INSTALAREA UNITĂȚII EXTERIOARE

3.3 CERINȚE PRIVIND SPAȚIUL DE MONTARE PENTRU UNITATEA EXTERIOARĂ

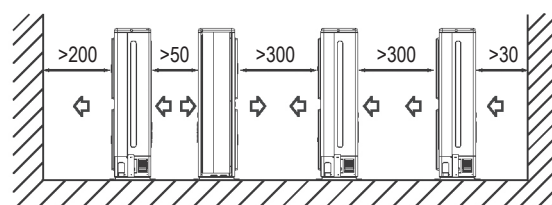
Instalarea unei singure unități



Conectarea în paralel a două sau mai multe unități

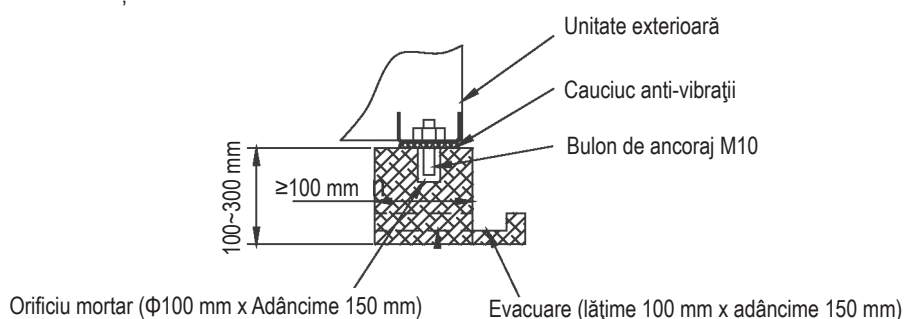


Conectarea în paralel a părților față și spate.



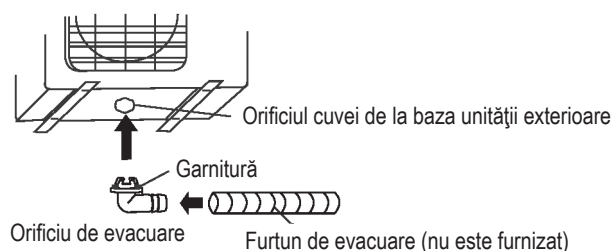
3.4 INSTALAREA UNITĂȚII EXTERIOARE

- Anterior instalării, verificați dacă suportul este drept și orizontal astfel încât să nu se producă un zgomot anormal.
- Fixați bine unitatea utilizând buloane de ancoraj (M10) pentru a împiedica căderea unității.
- Instalați fundația și cauciucul anti-vibrații pentru a susține direct suprafața inferioară a piciorului de fixare, care vine în contact cu placa inferioară a unității exterioare.



3.5 INSTALAREA TUBULUI DE EVACUARE PENTRU UNITATEA EXTERIOARĂ

- Conectați orificiul de evacuare utilizând un furtun de evacuare extensibil.
- Fixați garnitura pe orificiul de evacuare.
- Introduceți orificiul de evacuare în orificiul cuvei de la baza unității exterioare și rotiți-l la 90 de grade pentru a le asambla.



4. CONECTAREA TUBULUI REFRIGERANT

ATENȚIE!

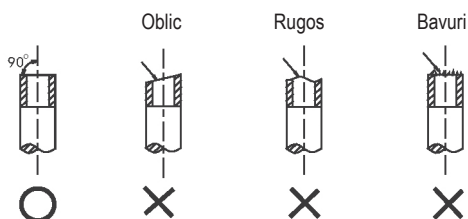
- Verificați dacă diferența de înălțime dintre unitatea interioară și unitatea exterioară și lungimea totală a tubului refrigerant respectă cerințele sistemului.
- Conectarea tubului refrigerant se efectuează după instalarea unității interioare și a unității exterioare. Mai întâi, conectați tubul la unitatea interioară, apoi la cea exterioară.
- În timpul instalării, etanșați capetele tubului cu capac sau acoperiți-le cu bandă. NU îndepărtați capacul sau banda înainte de a conecta tubul.
- Izolați toate țevile până la conectarea lor în interiorul unității. Pe țevile neprotejate se poate forma condens sau țevile se pot supraîncălzi.

4.1 EVAZAREA

OBSERVAȚIE

- Uneltele necesare pentru evazare sunt: dispozitivul de tăiat țevi, lărgitorul, dispozitivul de evazare și suportul pentru țevi.
- La modelele cu agent frigorific R32, punctele de conexiune ale conductei trebuie plasate în afara încăperii.

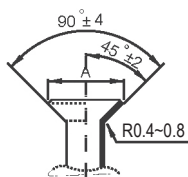
4.1.1 Tăiați țevile la lungimea specificată folosind un dispozitiv de tăiat țevi. Asigurați-vă că muchia tăiată rămâne la 90° față de latura țevii.



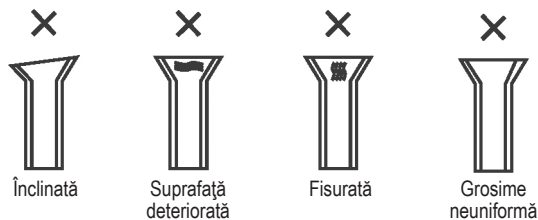
4.1.2 Utilizați un lărgitor pentru a elimina bavurile de pe suprafața tăiată îndreptată în jos, astfel încât așchiile să nu cadă în țevă.

4.1.3 Efectuați evazarea folosind uneltele de evazare de mai jos.

Diametru exterior	A (mm)	
	Max	Min
Ø6,35 mm	8,7	8,3
Ø9,52 mm	12,4	12,0
Ø12,7 mm	15,8	15,4
Ø15,88 mm	19,0	18,6
Ø19,05 mm	23,3	22,9



4.1.4 Verificați dacă evazarea a fost efectuată în mod corespunzător. Mai jos sunt câteva exemple de țevi incorect evazate.

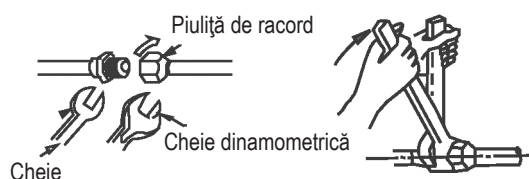


ATENȚIE!

- În cazul în care țevă trebuie lipită, utilizați nitrogen.
- Un cuplu necorespunzător poate rupe piulița sau poate provoca scurgeri.

4.2 CONECTAREA TUBULUI

4.2.1 Aliniați centrul pentru a strânge piulița de racord și finalizați conectarea cu ajutorul a două chei.



Diametru	Cuplu de strângere
Ø6,35 mm	18 ~ 20 N.m
Ø9,52 mm	25 ~ 26 N.m
Ø12,7 mm	35 ~ 36 N.m
Ø15,88 mm	45 ~ 47 N.m
Ø19,05 mm	65 ~ 67 N.m

4.2.2 Selectați materialul de izolație adecvat pentru tubul refrigerant. (Min. 10mm, spumă poliuretanică pentru izolație termică C)

- Utilizați materiale de izolație termică separate pentru țevile de gaz și cele de lichid.
- Grosimea indicată mai sus este grosimea standard pentru o temperatură interioară de 27°C și o umiditate de 80%. În cazul instalării în condiții nefavorabile, cum ar fi în spații din apropierea băilor, bucătărilor sau în alte locuri similare, consolidați izolația.
- Izolația trebuie să reziste la o temperatură de peste 120°C.
- Utilizați adezivi pe partea izolației care vine în contact cu țevă pentru a împiedica pătrunderea umezelii.
- Reparați și acoperiți potențialele fisuri ale stratului de izolație și verificați, în special, îndoirea sau brățara țevii.

4. CONECTAREA TUBULUI REFRIGERANT

4.3 TUBUL REFRIGERANT

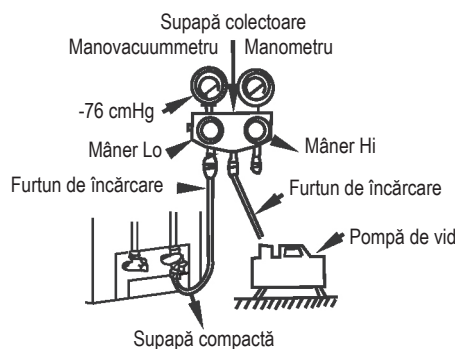
Model 38QUS	Partea de lichid	Partea de gaz	Lungimea tubului admisă (m)	Diferența maximă de înălțime (m)	Lungime maximă de traseu (m)	Sarcină suplimentară pe metru (R410A/R32)
009/012	Ø6,35 mm	Ø9,52 mm	25	10	5	15/12 g/m
018	Ø6,35 mm	Ø12.7 mm	30	20	5	15/12 g/m

NOTĂ: 1) Vă rugăm să folosiți unelte pentru sistemul R410A/R32;

2) În cazul în care lungimea tubului depășește 5 m, este necesară o ajustare a încărcăturii cu agent frigorific în funcție de lungimea tubului.

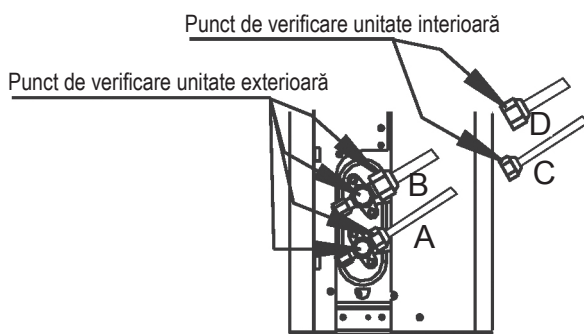
4.4 EVACUAREA AERULUI

- Conectați furtunul de încărcare de la manometrul pentru conducte la portul de serviciu al supapei compacte de gaz.
- Conectați furtunul de încărcare la portul pompei de vid.
- Deschideți complet mânerul Lo al manometrului pentru conducte.
- Puneți în funcțiune pompa de vid pentru a evacua aerul din sistem până la 76 cmHg.
- Închideți mânerul Lo al manometrului pentru conducte.
- Deschideți complet tija supapelor compacte.
- Scoateți furtunul de încărcare din portul de serviciu.
- Strângeți capacele supapei compacte.



4.5 TESTUL DE ETANȘEITATE

La finalizarea lucrărilor, verificați toate racordurile utilizând apă cu săpun sau un detector de pierderi adecvat pentru agenții frigorifici de tip HFC pentru a vă asigura că nu există scurgeri de gaze. Consultați figura de mai jos ca ilustrație de referință.



- A: Supapă compactă de joasă presiune
 B: Supapă compactă de înaltă presiune
 C și D: Piulițe de racord ale unității interioare

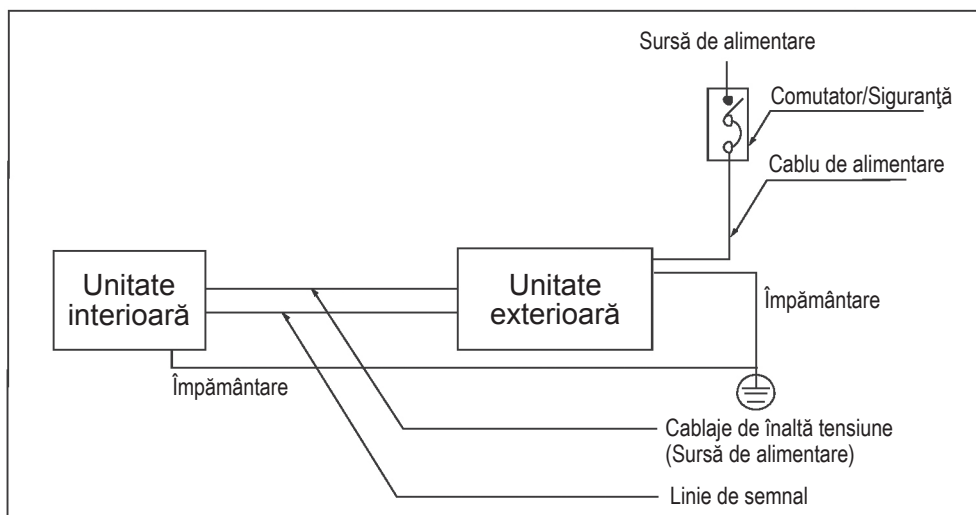
5. CABLAJELE

⚠ ATENȚIE!

- Toate conexiunile electrice trebuie realizate de persoane calificate și toate cablajele trebuie conectate în conformitate cu diagrama de conectare.
- Împământarea trebuie realizată înainte de efectuarea altor conexiuni electrice.
- Nu alimentați unitatea cu energie electrică înainte de a confirma efectuarea corectă a conexiunilor electrice.
- Trebuie instalate un comutator principal și un disjuncteur sau o siguranță, iar capacitatea trebuie să fie de cel puțin 1,5 ori mai mare decât curentul maxim din circuit.
- Un circuit de derivare individual și o singură priză utilizată pentru aparatul de aer condiționat trebuie să fie disponibile.
- Secțiunea transversală a cablului depinde de curentul nominal și de codul local, regional și național privind cablajele electrice. Consultați codurile de construcție locale și Codul Electric Național pentru cerințe speciale.
- În cazul în care cablul de alimentare este deteriorat, acesta trebuie înlocuit de producător, de agentul său de service ori de o persoană cu calificări similare pentru a evita orice pericol.
- Unitatea trebuie să fie conectată la sursa principală de alimentare prin intermediul unui disjuncteur sau a unui comutator cu un interval de contact de cel puțin 3 mm la toți polii. Se recomandă instalarea unui dispozitiv de curenți diferențiali reziduali (DDR) cu un curent rezidual nominal care nu depășește 30 mA.

5.1 PUTERE DIN PARTEA EXTERIOARĂ

- Diagrama cablajului



- Specificație privind sursa de alimentare și cablurile de conectare

Mod (Btu/h)		9 k	12 k	18 k
Sursă de alimentare	Fază	Fază-1	Fază-1	Fază-1
	Frecvență și volți	220-240 V~ 50 Hz	220-240 V~ 50 Hz	220-240 V~ 50 Hz
Curent nominal		10 A	10 A	11 A
Putere nominală siguranță (Câmp de alimentare)		20 A	20 A	20 A
Cablul de alimentare (Câmp de alimentare)		H07RN-F; 3 × 2,5 mm ²	H07RN-F; 3 × 2,5 mm ²	H07RN-F; 3 × 2,5 mm ²
Cabluri de conectare interior/exterior (Câmp de alimentare)		H07RN-F; 4 × 1,5 mm ²	H07RN-F; 4 × 1,5 mm ²	H07RN-F; 4 × 2,5 mm ²

NOTĂ PRIVIND SPECIFICAȚIILE SIGURANȚEI:

(Se aplică numai unităților cu agent frigorific R32 și siguranței din ceramică.)

1. Specificația siguranței unității exterioare este T 20 A/250 VAC (pentru < 24.000 Btu/h unitate), T 30 A/250 VAC (pentru > 24.000 Btu/h unitate)
2. Specificația siguranței unității interioare este T 5 A/250 VAC, T 10 A/250 VAC.

6. VERIFICAREA FINALĂ ȘI TESTAREA

6.1 LISTĂ DE VERIFICARE FINALĂ

Pentru a finaliza instalarea, efectuați următoarele verificări înainte de testare.

- Rezistența locului de instalare atât pentru unitatea interioară cât și unitatea exterioară, confirmați că nu există nicio obstrucție a orificiului de evacuare a aerului sau de retur a unității.
- Etanșeitarea conexiunilor tubulaturii refrigerante; confirmați că nu există scurgeri
- Conexiunile electrice sunt corect executate, iar unitatea a fost împământată
- Verificați lungimea totală a tubulaturii și înregistrați volumul de agent frigorific suplimentar
- Sursa de alimentare trebuie să corespundă tensiunii nominale a aparatului de aer condiționat
- Izolația tubulaturii
- Evacuarea

6.2 OPERAREA MANUALĂ

Operarea manuală poate fi realizată apăsând butonul de comandă manuală pe panoul de afișare.

Apăsați în mod repetat butonul manual pentru a schimba modurile după cum urmează:

- O dată = Modul AUTO [încălzire, răcire sau ventilator, 24°C și viteză ventilator automată].
- De două ori = Modul COOLING [comută la modul AUTO după 30 de minute (utilizat în principal pentru testare)]
- De trei ori = OFF

6.3 TESTAREA

Setați aparatul de aer condiționat în modul COOLING cu ajutorul telecomenzii (sau al butonului de comandă manuală) și verificați starea de funcționare atât a unității interioare cât și a unității exterioare. În caz de funcționare defectuoasă, remediați problema conform instrucțiunilor din capitolul „Depanare” din „Manualul de utilizare”.

Unitate interioară

- Verificați dacă butoanele telecomenzii (cum ar fi ON/OFF, MODE, TEMPERATURE, FAN SPEED etc.) funcționează corect.
- Fanta de ventilație se deplasează normal.
- Temperatura din încăperea este reglată corect.
- Indicatoarele de pe panoul de afișare sunt afișate normal.
- Butonul de comandă manuală funcționează corect.
- Evacuarea este normală.
- Există vibrații sau zgomote anormale în timpul funcționării.
- Unitatea interioară funcționează corect în modul COOLING sau HEATING.

Unitate exterioară

- Există vibrații sau zgomote anormale în timpul funcționării.
- Fluxul de aer, zgomotul sau condensul generat de aparatul de aer condiționat afectează vecinii.
- Există scurgeri de agent frigorific.



ATENȚIE!

- O întârziere de 3 minute este normală la repornirea unității pentru protecția compresorului.

7. INFORMAȚII PENTRU SERVICE

7.1 VERIFICĂRILE ZONEI

Înainte de a începe lucrările asupra sistemelor care conțin agenți frigorifici inflamabili, sunt necesare verificări de siguranță pentru a asigura faptul că riscul de aprindere este minimizat. Pentru repararea sistemului de agent frigorific, trebuie respectate următoarele măsuri de precauție înainte de a efectua lucrări asupra sistemului.

7.2 PROCEDURA DE LUCRU

Lucrările vor fi întreprinse în baza unei proceduri controlate astfel încât să se reducă la minim riscul prezenței de gaz sau vapori inflamabili în timpul efectuării lucrărilor.

7.3 ZONA GENERALĂ DE LUCRU

Tot personalul de întreținere și celelalte persoane care lucrează în zona locală trebuie instruite privind natura lucrărilor care vor fi efectuate. Se va evita lucrul în spații restrânse. Zona din jurul spațiului de lucru va fi delimitată. Asigurați-vă că acele condiții din zonă au fost făcute sigure prin controlul materialului inflamabil.

7.4 VERIFICAREA PENTRU PREZENȚA AGENTULUI FRIGORIFIC

Zona va fi verificată cu un agent frigorific corespunzător înainte de și în timpul lucrărilor, pentru a asigura faptul că tehnicianul este conștient de atmosfere potențial inflamabile. Asigurați-vă că echipamentul utilizat pentru detectarea scurgerilor este potrivit pentru utilizare împreună cu agenți frigorifici, i.e. fără scântei, cu etanșare corespunzătoare sau cu siguranță intrinsecă.

7.5 PREZENȚA STINGĂTORULUI DE INCENDIU

Dacă urmează să fie efectuate lucrări la temperaturi ridicate asupra echipamentului de refrigerare sau asupra oricăror piese asociate, trebuie să fie prezent echipament corespunzător pentru stingerea incendiilor. Țineți un stingător cu pudră uscată sau cu CO₂ lângă zona de încărcare.

7.6 FĂRĂ SURSE DE APRINDERE

Persoanele care efectuează lucrări legate de un sistem de refrigerare care implică expunerea tubulaturii care conține sau care a conținut agent frigorific inflamabil trebuie să nu utilizeze surse de aprindere care ar putea duce la risc de incendiu sau explozie. Toate sursele posibile de aprindere, inclusiv țigările aprinse, trebuie ținute la o distanță suficientă față de locul instalării, reparării, demontării și eliminării, în timpul în care agentul frigorific inflamabil poate fi eliberat în spațiul înconjurător. Înainte de efectuarea oricăror lucrări, zona din jurul echipamentului trebuie verificată pentru a se asigura faptul că nu există pericole inflamabile sau riscuri de aprindere. Trebuie afișate semne „FUMATUL INTERZIS”.

7.7 ZONA VENTILATĂ

Asigurați-vă că zona este într-un spațiu deschis sau că aceasta este ventilată corespunzător înainte de a accesa sistemul sau de a efectua orice lucrări care implică temperaturi ridicate. Trebuie continuată ventilația într-o anumită măsură în timpul efectuării lucrărilor. Ventilația ar trebui să disperseze în siguranță orice agent frigorific eliberat, în mod preferabil, expulzând acesta în atmosferă.

7.8 VERIFICĂRILE ECHIPAMENTULUI DE REFRIGERARE

La schimbarea componentelor electrice, cele noi trebuie să fie corespunzătoare pentru scop și conform specificațiilor. Trebuie urmate permanent liniile directe ale producătorului privind lucrările de întreținere și service. Dacă aveți îndoieli, consultați departamentul tehnic al producătorului pentru asistență. Se vor aplica următoarele verificări la instalațiile care utilizează agenți frigorifici inflamabili:

7. INFORMAȚII PENTRU SERVICE

- dimensiunea încărcării este în conformitate cu dimensiunea camerei în care sunt instalate piesele care conțin agent frigorific;
- echipamentele și ieșirile de ventilație funcționează corespunzător și nu sunt obstrucționate;
- dacă se utilizează un circuit indirect de refrigerare, circuitele secundare trebuie verificate pentru o eventuală prezență de agent frigorific; marcajele echipamentului sunt în continuare vizibile și lizibile.
- marcajele și semnele care nu sunt lizibile trebuie corectate;
- conducta de agent frigorific sau componentele sunt instalate astfel încât să nu fie probabil ca acestea să fie expuse la substanțe care pot coroda componentele care conțin agent frigorific, cu excepția cazului în care componentele sunt realizate din materiale care sunt în mod inerent rezistente la coroziune sau care sunt protejate corespunzător împotriva coroziunii.

7.9 VERIFICĂRILE DISPOZITIVELOR ELECTRICE

Lucrările de reparare și întreținere pentru componentele electrice vor include verificări de siguranță inițiale și proceduri pentru inspectarea componentelor. Dacă există un defect care poate compromite siguranța, atunci nu trebuie conectată nicio sursă de alimentare electrică la circuit înainte ca acesta să fie abordat în mod satisfăcător. Dacă defectul nu poate fi corectat imediat, dar este necesară continuarea operațiunii, se va utiliza o soluție temporară corespunzătoare. Acest aspect va fi raportat către proprietarul echipamentului astfel încât toate părțile să fie notificate.

Verificările de siguranță inițiale vor include verificarea următoarelor aspecte:

- condensatoarele sunt descărcate: se va efectua în siguranță astfel încât să se posibilitatea de producere de scântei
- nu există componente electrice și cabluri sub tensiune expuse în timpul încărcării, recuperării sau purjării sistemului;
- există continuitate a împământării.

7.10 REPARAREA COMPONENTELOR ETANȘATE

- 10.1 În timpul lucrărilor de reparare efectuate asupra componentelor etanșate, toate sursele de alimentare vor fi deconectate de la echipamentul asupra căruia se lucrează înainte de orice demontare a capacelor etanșate, etc. Dacă este absolut necesar ca o sursă de alimentare electrică să fie conectată la echipament în timpul lucrărilor de service, atunci trebuie utilizată o formă de detectare a scurgerilor care funcționează permanent la punctul cel mai critic pentru a avertiza privind o situație potențial periculoasă.
- 10.2 Trebuie acordată o atenție deosebită la următoarele aspecte pentru a asigura faptul că la lucrul asupra componentelor electrice, carcasa nu este alterată astfel încât să se afecteze nivelul de protecție. Aceasta va include deteriorarea cablurilor, un număr excesiv de conexiuni, borne neconforme cu specificația originală, deteriorarea etanșărilor, fixarea greșită a presetupelor, etc.
- Asigurați-vă că aparatul este montat corespunzător.
 - Asigurați-vă că etanșările sau materialele de etanșare nu sunt degradate până la nivelul în care nu mai îndeplinesc scopul de a împiedica pătrunderea de atmosfere inflamabile. Piese de schimb vor fi în conformitate cu specificațiile producătorului.

NOTĂ: Utilizarea de produs de etanșare din silicon poate afecta eficiența anumitor tipuri de echipamente pentru detectarea scurgerilor. Componentele cu siguranță intrinsecă nu necesită izolare înainte de a se efectua lucrări asupra acestora.

7.11 REPARAREA COMPONENTELOR CU SIGURANȚĂ INTRINSECĂ

Nu aplicați sarcini inductive sau de capacitanță permanente asupra circuitului fără a asigura faptul că nu se va depăși tensiunea permisibilă și curentul permis pentru echipamentul în curs de utilizare. Componentele cu siguranță intrinsecă sunt singurele tipuri asupra cărora se poate lucra atunci când ele sunt sub tensiune și în prezența unei atmosfere inflamabile. Aparatele de testare trebuie să fie la valorile nominale corecte. Înlocuiți componentele numai cu piese specificate de producător. Utilizarea altor piese poate avea drept rezultat aprinderea agentului frigorific în atmosferă în urma unei scurgeri.

7. INFORMAȚII PENTRU SERVICE

7.12 CABLAJELE

Asigurați-vă că firele nu sunt expuse la uzură, coroziune, presiune excesivă, vibrații, margini ascuțite sau orice alte efecte de mediu negative. De asemenea, verificarea trebuie să aibă în vedere efectele de uzare în timp sau vibrațiile continue de la surse precum compresoare sau ventilatoare.

7.13 DETECTAREA AGENȚILOR FRIGORIFICI INFLAMABILI

Nu trebuie utilizate în niciun caz surse potențiale de aprindere la căutarea de sau detectarea de scurgeri de agent frigorific. Nu trebuie utilizată o lampă cu halogenură (sau orice alt detector cu flacără deschisă).

7.14 METODE DE DETECTARE A SCURGERILOR

Următoarele metode de detectare a scurgerilor sunt considerate a fi acceptabile pentru sistemele care conțin agenți frigorifici inflamabili.

Se vor utiliza detectoare electronice de scurgeri pentru a detecta agenți frigorifici inflamabili, însă sensibilitatea poate să nu fie corespunzătoare, sau poate necesita recalibrare. (Echipamentele de detectare vor fi calibrată într-o zonă fără agent frigorific.) Asigurați-vă că detectorul nu este o sursă potențială de aprindere și că este corespunzător pentru agentul frigorific. Echipamentul pentru detectarea scurgerilor va fi setat la un procentaj al LFL-ului agentului frigorific și va fi calibrat pentru agentul frigorific utilizat, iar procentajul corespunzător de gaz (max. 25%) este confirmat. Fluidele pentru detectarea scurgerilor sunt potrivite pentru utilizarea împreună cu majoritatea agenților frigorifici, însă utilizarea de detergenți care conțin clor va fi evitată, deoarece clorul poate reacționa cu agentul frigorific și poate coroda tubulatura din cupru. Dacă se suspectează o scurgere, toate flăcările deschise trebuie eliminate sau stinse. Dacă se găsește o scurgere de agent frigorific care necesită lipire, tot agentul frigorific trebuie recuperat din sistem, sau trebuie izolat (prin intermediul supapelor de izolare) într-o parte a sistemului care să fie departe de scurgere. Apoi se va purja azot fără conținut de oxigen (OFN) prin sistem atât înainte cât și în timpul procesului de lipire.

7.15 ELIMINAREA ȘI EVACUAREA

La accesarea circuitului de agent frigorific în vederea efectuării de lucrări de reparare sau pentru alte scopuri, trebuie utilizate proceduri convenționale. Cu toate acestea, este important să se urmeze cele mai bune practici, deoarece inflamabilitatea este un aspect de luat în considerare. Se va respecta următoarea procedură:

- eliminați agentul frigorific;
- purjați circuitul cu gaz inert;
- evacuați;
- purjați din nou cu gaz inert;
- deschideți circuitul prin tăiere sau lipire.

Cantitatea de agent frigorific va fi recuperată în cilindrii de recuperare corecți. Sistemul va fi clătit cu OFN pentru ca unitatea să devină sigură. Este posibil să fie necesar ca acest proces să fie repetat de câteva ori. Nu se va utiliza aer comprimat sau oxigen pentru această sarcină.

Clătirea se va efectua prin întreruperea vidului din sistem cu OFN și umplerea până când se obține presiunea de lucru, apoi prin ventilarea către atmosferă, apoi la final, prin reducerea la un vid. Acest proces va fi repetat până când nu mai există agent frigorific în sistem.

Când se utilizează cantitatea finală de OFN, sistemul va fi ventilat până la presiunea atmosferică pentru a permite efectuarea lucrărilor. Această operațiune este absolut esențială pentru ca operațiunile de lipire de pe tubulatură să fie posibile. Asigurați-vă că ieșirea pentru pompa de vid nu este închisă la orice surse de aprindere și că există ventilație disponibilă.

7. INFORMAȚII PENTRU SERVICE

7.16 PROCEDURILE DE ÎNCĂRCARE

Suplimentar față de procedurile de încărcare convenționale, trebuie respectate următoarele cerințe:

- Asigurați-vă că nu are loc contaminarea diferiților agenți frigorifici la utilizarea echipamentului de încărcare. Furtunurile sau liniile trebuie să fie cât mai scurte pentru a minimiza cantitatea de agent frigorific din ele.
- Cilindrii trebuie păstrați în poziție verticală.
- Asigurați-vă că sistemul de refrigerare este împământat înainte de a încărca sistemul cu agent frigorific.
- Etichetați sistemul atunci când încărcarea este finalizată (dacă nu este deja).
- Trebuie avută grijă deosebită pentru a nu umple excesiv sistemul de refrigerare.
- Înainte de a reîncărca sistemul, acesta trebuie testat sub presiune cu OFN. Sistemul va fi testat împotriva scurgerilor la finalizarea încărcării, însă înainte de punerea în exploatare. O testare ulterioară pentru detectarea unor eventuale scurgeri

7.17 SCOATEREA DIN EXPLOATARE

Înainte de a efectua această procedură, este esențial ca tehnicianul să fie complet familiarizat cu echipamentul și toate detaliile aferente. E o bună practică recomandată ca tot agentul frigorific să fie recuperat în siguranță. Înainte de efectuarea sarcinii, trebuie luate mostre de ulei și agent frigorific.

În cazul în care este necesară o analiză înainte de reutilizarea agentului frigorific recuperat. Este esențial ca alimentarea electrică să fie disponibilă înainte de începerea efectuării sarcinii.

- a) Familiarizați-vă cu echipamentul și funcționarea acestuia.
- b) Izolați electric sistemul
- c) Înainte de a continua procedura, asigurați-vă că:
 - este disponibil echipament de manipulare mecanică, dacă este necesar, pentru manipularea cilindrilor pentru agent frigorific;
 - tot echipamentul individual de protecție este disponibil și este utilizat în mod corect;
 - echipamentul de recuperare este supravegheat permanent de o persoană competentă;
 - echipamentul de recuperare și cilindrii sunt în conformitate cu standardele corespunzătoare.
- d) Reduceți presiunea sistemului de agent frigorific, dacă este posibil.
- e) Dacă nu este posibilă obținerea unui vid, realizați un colector astfel încât agentul frigorific să poată fi eliminat prin diferite părți ale sistemului.
- f) Asigurați-vă că cilindrul este situat pe cântar înainte de efectuarea recuperării.
- g) Porniți echipamentul de recuperare și operați-l în conformitate cu instrucțiunile producătorului.
- h) Nu umpleți excesiv cilindrii. (Nu mai mult de 80% volum cantitate lichid).
- i) Nu depășiți presiunea maximă de lucru a cilindrului, nici măcar temporar.
- j) Când cilindrii sunt umpluți corect și procesul este finalizat, asigurați-vă că cilindrii și echipamentul sunt înlăturați cu promptitudine din locație și că toate supapele de izolare ale echipamentului sunt închise.
- k) Agentul frigorific recuperat nu va fi încărcat într-un alt sistem de refrigerare, cu excepția cazului în care a fost curățat și verificat.

7.18 ETICHETAREA

Echipamentul va fi etichetat, menționându-se că a fost scos din exploatare și golit de agent frigorific. Eticheta va fi datată și semnată. Asigurați-vă că există etichete pe echipament care menționează faptul că acesta conține agent frigorific inflamabil.

7. INFORMAȚII PENTRU SERVICE

7.19 RECUPERAREA

- La eliminarea agentului frigorific dintr-un sistem, pentru lucrări de service sau scoaterea din exploatare, e o bună practică recomandată ca tot agentul frigorific să fie eliminat în siguranță.
- La transferarea agentului frigorific în cilindri, asigurați-vă că se utilizează numai cilindrii corespunzători pentru recuperare de agent frigorific. Asigurați-vă că este disponibil numărul corect de cilindrii pentru cantitatea totală a sistemului. Toți cilindrii care urmează să fie utilizați sunt desemnați pentru agentul frigorific recuperat și etichetați corespunzător (de ex. cilindri speciali pentru recuperarea agentului frigorific). Cilindrii vor fi prevăzuți cu supapă pentru eliberarea presiunii și supape de izolare asociate în stare bună de funcționare.
- Cilindrii de recuperare goali sunt evacuați și, dacă este posibil, răciți înainte de a avea loc recuperarea.
- Echipamentul de recuperare va fi în stare bună de funcționare, cu un set de instrucțiuni privind echipamentul la îndemână și va fi potrivit pentru recuperarea agentului frigorific. Suplimentar, dispozitive de cântărire calibrate vor fi disponibile și în stare bună de funcționare.
- Furtunile vor fi prevăzute cu cuplaje de deconectare fără scurgere și în stare bună. Înainte de a utiliza echipamentul de recuperare, verificați că este în stare bună de funcționare, că a fost întreținut corespunzător și că orice componente electrice asociate sunt etanșate pentru a preveni aprinderea în cazul unei eliberări de agent frigorific. În caz de îndoieli, consultați producătorul.
- Agentul frigorific recuperat va fi returnat la furnizorul de agent frigorific în cilindrul de recuperare corect și se va aranja Nota de transfer de deșeuri relevantă. Nu amestecați agenți frigorifici în unități de recuperare sau în cilindri.
- Dacă compresoarele sau uleiurile de compresor urmează să fie înlăturate, asigurați-vă că acestea au fost evacuate la un nivel acceptabil pentru a asigura faptul nu rămâne agent frigorific inflamabil în lubrifianț. Procesul de evacuare va fi efectuat înainte de returnarea compresorului la furnizori. Numai încălzirea electrică a corpului compresorului va fi utilizată pentru a accelera acest proces. Când uleiul este evacuat dintr-un sistem, această operațiune trebuie efectuată cu grijă.

7.20 TRANSPORTUL, MARCAJELE ȘI DEPOZITAREA UNITĂȚILOR

1. Transportul echipamentului care conține agenți frigorifici inflamabili
Conformitate cu regulile privind transportul
2. Marcarea echipamentului folosind semne
Conformitate cu regulile locale
3. Eliminarea echipamentului care utilizează agenți frigorifici inflamabili
Conformitate cu regulile naționale
4. Depozitarea echipamentului/aparatelor

Depozitarea echipamentului trebuie să fie în conformitate cu instrucțiunile producătorului.

5. Depozitarea echipamentului împachetat (nevândut)

Trebuie realizată protecția pachetului de depozitare astfel încât daunele mecanice ale echipamentului din interiorul pachetului să nu cauzeze o scurgere a încărcăturii de agent frigorific.

Numărul maxim de bucăți de echipament care pot fi depozitate împreună va fi determinat de regulile locale.

Tento produkt je v súlade so smernicami Európskej únie, a to smernicou o nízkom napätí (2014/35/ES) a smernicou o elektromagnetickej kompatibilite (2014/30/ES).



Správna likvidácia výrobku (Odpad z elektrických a elektronických zariadení)

(Ak toto zariadenie používate v krajinách Európy, je potrebné riadiť sa nasledujúcimi pokynmi)

- Toto označenie uvedené na výrobku alebo v dokumentoch k výrobku znamená, že elektrický odpad a elektrické zariadenia (OEEZ podľa smernice 2012/19/EÚ) nesmú byť miešané s bežným domovým odpadom.

Likvidácia tohto zariadenia s komunálnym odpadom sa zakazuje.

Máte niekoľko možností na likvidáciu:

1. Miestna samospráva zriadila zberné strediská, v ktorých možno bezplatne odovzdať staré spotrebiče.
2. Pri kúpe nového produktu predajca odvezie váš starý spotrebič.
3. Výrobca bezplatne vyzdvihne starý spotrebič na likvidáciu.
4. Keďže staré spotrebiče obsahujú cenné suroviny, možno ich predať v zberniach kovového odpadu.

Neriadená likvidácia odpadu v lesoch a na poliach ohrozuje vaše zdravie, pretože môže dôjsť k úniku škodlivých látok do podzemnej vody a ich vstupu do potravinového reťazca.

Tento produkt obsahuje fluórované plyny v zmysle Kjótskeho protokolu

Chemický názov plynu	R410A / R32
Možný vplyv plynu na globálne otepľovanie	2088 / 675

UPOZORNENIE

1. Priložený štítok chladiacej zmesi prilepte do blízkosti miesta napĺňania/obnovy.
2. Pomocou nezmazateľného atramentu na štítok zreteľne napíšte množstvo chladiacej zmesi potrebnej na napĺňanie.
3. Zabráňte úniku fluórovaného plynu. Zabezpečte, aby počas montáže, servisu alebo likvidácie nedošlo k úniku plynu do atmosféry. Ak sa zistí únik fluórovaného plynu, je potrebné ho čo najskôr zastaviť a opraviť.
4. Servis tohto produktu smú vykonávať len kvalifikovaní pracovníci.
5. Pri manipulácii s fluórovaným plynom v tomto produkte, napríklad pri presúvaní produktu alebo dopĺňaní plynu, sa musí vždy postupovať v súlade s nariadením (ES) č. 517/2014 o určitých fluórovaných skleníkových plynoch a príslušnými miestnymi predpismi.
6. V prípade otázok sa obráťte na predajcov alebo servisné strediská.

Interiérová jednotka	Rozmery (IDU)	Exteriérová jednotka	Rozmery (ODU)	Menovité napätie a frekvencia
42QZA009DS*	700 x 600 x 210	38QUS009DS*	770 x 300 x 555	
42QZA012DS*	700 x 600 x 210	38QUS012DS*	800 x 333 x 554	220 – 240 V – 50 Hz
42QZA012D8S*	700 x 600 x 210	38QUS012D8S*	800 x 333 x 554	
42QZA018DS*	700 x 600 x 210	38QUS018DS*	800 x 333 x 554	

Výrobca si vyhradzuje právo na zmenu špecifikácií výrobku bez predchádzajúceho upozornenia.

OBSAH

1. PRÍPRAVA NA INŠTALÁCIU	3
1.1 Bezpečnostné opatrenia	3
1.2 Príslušenstvo	4
2. INŠTALÁCIA INTERIÉROVEJ JEDNOTKY	6
2.1 Výber miesta inštalácie	6
2.2 Inštalácia interiérovej jednotky	7
2.3 Pripojenie hadíc a vodičov	7
2.4 Inštalácia odtokového potrubia	8
3. INŠTALÁCIA EXTERIÉROVEJ JEDNOTKY	9
3.1 Výber miesta inštalácie	9
3.2 Montážne rozmery exteriérovej jednotky	9
3.3 Požiadavky na priestor pre exteriérovú jednotku	10
3.4 Inštalácia exteriérovej jednotky	10
3.5 Inštalácia odtokovej hadice pre exteriérovú jednotku	10
4. VEDENIE CHLADIACEHO POTRUBIA	11
4.1 Spoje	11
4.2 Vedenie potrubia	11
4.3 Potrubie chladiva	12
4.4 Odsávanie vzduchu	12
4.5 Skúška tesnosti	12
5. ELEKTRICKÉ ZAPOJENIE	13
6. ZÁVEREČNÁ KONTROLA A SKÚŠOBNÁ PREVÁDZKA	14
6.1 Zoznam záverečných kontrol	14
6.2 Ručná obsluha	14
6.3 Skúšobná prevádzka	14
7. INFORMÁCIE O VYKONÁVANÍ SERVISU	15



Upozornenie: **Nebezpečenstvo**
požiaru iba pre chladivo R32/R290

1. PRÍPRAVA NA INŠTALÁCIU

1.1 BEZPEČNOSTNÉ OPATRENIA

- Montáž, uvedenie do prevádzky a servis klimatizačných zariadení môžu byť nebezpečné z dôvodu vysokého tlaku v systéme, prítomnosti elektrických komponentov a polohy zariadení (strechy, vyvýšené miesta atď.).
- Montáž, uvádzanie do prevádzky a servis týchto zariadení by mali vykonávať len kvalifikovaní pracovníci.
- Pri práci so zariadeniami dodržiavajte bezpečnostné opatrenia uvedené v dokumentácii a na štítkoch, nálepkách a označeniach na zariadeniach.
- Dodržiavajte všetky bezpečnostné predpisy. Používajte ochranné okuliare a pracovné rukavice. Pri spájkovaní majte poruke hasiaci prístroj alebo iný vhodný hasiaci prostriedok. Pri manipulácii, montáži a presúvaní veľkých zariadení postupujte opatrne.
- Dôkladne si preštudujte tieto pokyny a dbajte na varovania a výstrahy uvedené v dokumentácii a na zariadení. Preštudujte si miestne stavebné a elektroinštalačné predpisy.

VAROVANIE

Tento symbol označuje riziko poranenia alebo úmrtia.

- **Chladiaci plyn je ťažší než vzduch a vytláča kyslík. Rozsiahly únik môže mať za následok nedostatok kyslíka, najmä v suterénoch, a s tým súvisiace riziko udusenía.**
- **Keď je klimatizácia nainštalovaná v malej miestnosti, prijmite vhodné opatrenia, aby ste zabezpečili, že koncentrácia unikajúcej chladiacej zmesi v miestnosti nepresahuje kritickú úroveň.**
- **Ak počas inštalácie dôjde k úniku chladiaceho plynu, miestnosť okamžite vyvetrajte.**
Chladiaci plyn môže v styku s plameňom z ohrievačov, sporákov a varičov produkovať jedovaté výpary. Tieto výpary môžu spôsobiť vážne poranenia alebo smrť.
- **Pred vykonávaním elektroinštalácie zariadenie odpojte od zdroja napájania. Spojovací kábel pripojte správne.**
Nesprávne zapojenie môže mať za následok poškodenie elektrických dielov.
- **Na elektrické pripojenie použite špeciálne káble a vodiče pripojte pevne k pripájacím blokom v svorkovnici tak, aby svorky neboli vystavené vonkajšej sile.**
- **Uistite sa, že je pripojené uzemnenie.**
Uzemnenie nezapájajte k plynovému alebo vodovodnému potrubiu, bleskozvodu, ani telefónnemu vedeniu. Nesprávne uzemnenie môže mať za následok riziko zásahu elektrickým prúdom a s tým súvisiace poranenia alebo smrť.
- **Obalové materiály bezpečne zlikvidujte.**
Obalové materiály obsahujúce kince, drevené alebo kovové časti môžu spôsobiť rezné a iné poranenia. Plastové obalové fólie roztrhajte a zlikvidujte, aby sa s nimi nemohli hrať deti. Vystavovali by sa riziku udusenía.
- **Zariadenie nemontujte v blízkosti vysokej koncentrácie horľavých plynov alebo výparov.**
- **Použite len dodané montážne diely alebo diely uvedené v dokumentácii.**
Použitie iných dielov by mohlo spôsobiť uvoľnenie zariadenia, presakovanie vody, zásah elektrickým prúdom, požiar alebo poškodenie zariadenia.
- **Pri montáži alebo premiestňovaní systému zabráňte vniknutiu vzduchu alebo iných látok do chladiaceho okruhu (okrem chladiacej zmesi R410A/R32).**
- **Jednotku neupravujte odstraňovaním bezpečnostných poistiek ani obchádzaním poistných prepínačov.**
- **Elektroinštaláciu je potrebné vykonať v súlade s návodom na inštaláciu a príslušnými predpismi.**
- **Použite samostatný elektrický okruh. Do zásuvky, v ktorej je zapojené zariadenie, nezapájajte ďalšie spotrebiče.**

1. PRÍPRAVA NA INŠTALÁCIU

VAROVANIE

- Aby sa zabránilo nechcenému aktivovaniu termálnej poistky, tento spotrebič sa nesmie zapájať do externého spínacieho zariadenia, ako je napríklad zásuvka s časovačom, ani pripájať k okruhu, ktorý sa pravidelne vypína a zapína.
- Na elektrické vedenie použite predpísané káble s dostatočne tepelne dimenzovanou izoláciou. Nepovolené káble môžu spôsobiť elektrický únik, nezvyčajnú tvorbu tepla alebo požiar.
POZNÁMKA: Nasledujúce informácie sú požadované pre jednotky, ktoré používajú chladivá R32/R290
- Spotrebič musí byť skladovaný v miestnosti bez trvalých zdrojov zapálenia. (napríklad: otvoreného ohňa a prevádzkovaného plynového spotrebiča alebo prevádzkovaného elektrického ohrievača).
- Neprepichujte ani nespáľujte.
- Uvedomte si, že chladivo môže byť bez zápachu.
- Musia byť dodržané štátne nariadenia ohľadom plynu.
- Spotrebič musí byť skladovaný v dobre vetranom priestore, kde veľkosť miestnosti zodpovedá ploche priestoru, ako je špecifikované pre prevádzku.
- Spotrebič musí byť nainštalovaný, prevádzkovaný a skladovaný v miestnosti s plochou nad $X \text{ m}^2$, inštalácia potrubia musí byť minimálne $X \text{ m}^2$ (pozri nasledujúci formulár).
- Spotrebič nesmie byť nainštalovaný v nevetranom priestore, ak je tento priestor menší než $X \text{ m}^2$ (pozri nasledujúci formulár). Priestory, kde potrubie s chladivom musia vyhovovať vnútroštátnym predpisom o plyne.

Model(Btu/h)	Množstvo chladiva, ktoré sa má plniť (kg)	max. inštalačná výška (m)	Min. plocha miestnosti (m ²)
≤30000	≤2,048	1,8m	4
		0,6m	35
30000-48000	2,048-3,0	1,8m	8
		0,6m	80
>48000	>3,0	1,8m	9
		0,6m	80

Poznámka o fluórovaných plynoch

- Táto klimatizačná jednotka obsahuje fluórované plyny. Podrobné informácie o type plynu a množstvo nájdete na príslušnom štítku na samotnej jednotke.
- Inštaláciu, servis, údržbu a opravy tohto zariadenia musí vykonávať certifikovaný technik.
- Odinštalovanie a recykláciu produktu musí vykonávať certifikovaný technik.
- Ak je v systéme nainštalovaný systém detekcie únikov, je potrebné skontrolovať úniky najmenej každých 12 mesiacov.
- Ak je jednotka kontrovaná ohľadom únikov, dôrazne sa odporúča riadne vedenie všetkých kontrol.

1. PRÍPRAVA NA INŠTALÁCIU






UPOZORNENIE

Tento symbol označuje riziko poškodenia majetku alebo závažných následkov.

- Pri manipulácii s ostrými hranami buďte opatrní, aby ste sa vyhli poraneniu.
- Interiérovú ani exteriérovú jednotku nemontujte na miesta s osobitnými podmienkami prostredia.
- Zariadenie nemontujte na miesta, ktoré by mohli zosilniť hlučnosť jednotky, ani na miesta, kde by hluk a vypúšťaný vzduch mohli rušiť susedov.
- Odvodnenie/údržbu potrubia vykonávajte bezpečne podľa návodu na inštaláciu.
Nesprávne nainštalované odtokové potrubie môže mať za následok úniky vody a poškodenie majetku.
- Klimatizáciu neinštalujte na nižšie uvedených miestach.
 - Miesto, kde sa nachádza minerálny olej alebo kyselina arzeničná.
 - Miesto, kde sa môže hromadiť alebo zbierať korozívny plyn (napr. plyn kyseliny siričitej) alebo horľavý plyn (napr. riedidlo) alebo tam, kde sa manipuluje s prchavými horľavými látkami.
 - Miesto, kde je zariadenie, ktoré generuje elektromagnetické polia alebo vysokofrekvenčné harmonické signály.

1.2 PRÍSLUŠENSTVO

S jednotkou sa dodáva nižšie uvedené príslušenstvo. Typ a množstvo sa môžu líšiť v závislosti od špecifikácií.

Názov príslušenstva	Počet (ks)	Náhľad	Použitie
Návod na použitie	3		<Návod na inštaláciu>, <Návod na použitie>, <Návod na použitie diaľkového ovládača> (alebo <Návod na použitie káblového ovládača>)
Tesnenie	1		Utesnenie vypúšťacieho výstupu exteriérovej jednotky.
Vypúšťací nátrubok	1		Pripojenie odtokovej hadice exteriérovej jednotky.
Upínací filter	1		Na splnenie noriem EMC (používa sa pre interiérové/exteriérové pripájacie vodiče)
Hák	2		Na inštaláciu

Nasledujúce príslušenstvo súvisí s diaľkovým ovládaním.

Názov príslušenstva	Počet (ks)	Náhľad	Použitie
Diaľkový ovládač	1		Diaľkové ovládanie klimatizácie
Držiak diaľkového ovládača	1		Na uchytenie diaľkového ovládača na stenu
Rezná skrutka	2		Na pripevnenie držiaka diaľkového ovládača
Batéria	2		Na diaľkové ovládanie

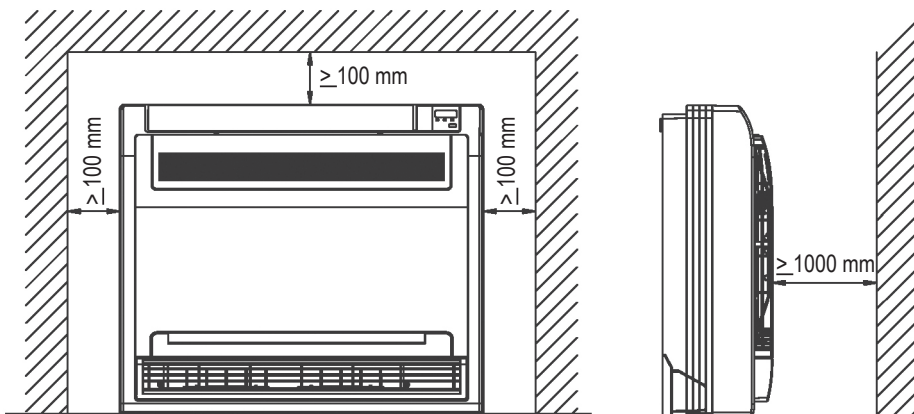
Poznámka: Príslušenstvo súvisiace s diaľkovým ovládaním nebude k dispozícii pre modely s káblovým ovládaním. Príslušenstvo káblového ovládania je uvedené v návode káblového ovládania.

2. INŠTALÁCIA INTERIÉROVEJ JEDNOTKY

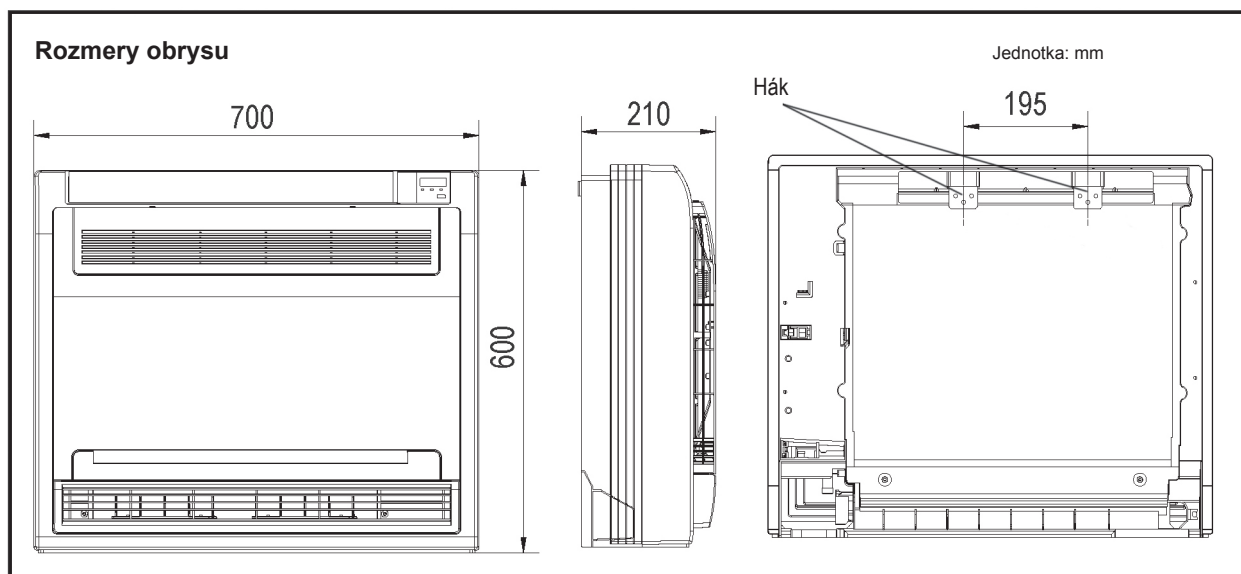
2.1 VÝBER MIESTA INŠTALÁCIE

INTERIÉROVÁ JEDNOTKA

- Kde je mimo dosahu priameho slnečného svetla.
- Kde nie je blokované prúdenie vzduchu.
- Kde je zaistený optimálny rozvod vzduchu.
- Kde je možné správne a bezpečné odtekanie kondenzátu.
- Nainštalujte interiérovú jednotku na stenu/strop, ktoré zabraňujú vibráciám a sú dostatočne pevné, aby udržali hmotnosť zariadenia.
- Udržujte dostatočný priestor okolo interiérovej jednotky na údržbu a servis.
- Kde je možné ľahko vybrať a vyčistiť vzduchový filter.
- Kde je potrubie medzi interiérovou a exteriérovou jednotkou v prípustných medziach.
- Interiérovú jednotku nainštalujte 1 m alebo viac od televízora alebo rádia, aby sa zabránilo skresleniu obrazu alebo generovaniu rušenia.
- Interiérovú jednotku nainštalujte čo najďalej od žiarivkových a žiarovkových svietidiel, aby bolo možné správne fungovanie diaľkového ovládania.



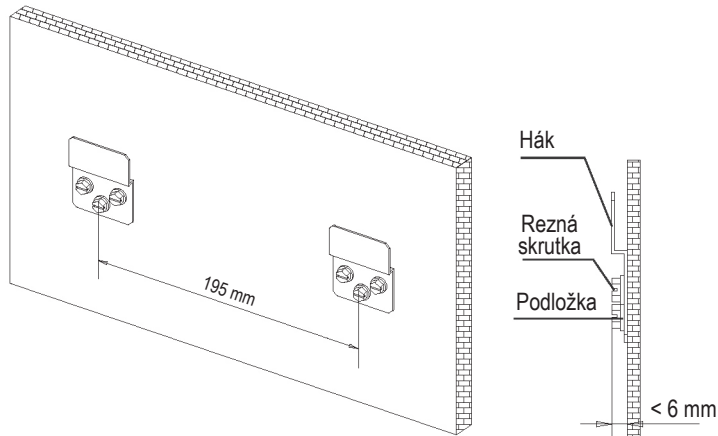
POŽIADAVKY NA PRIESTOR PRE INTERIÉROVÚ JEDNOTKU



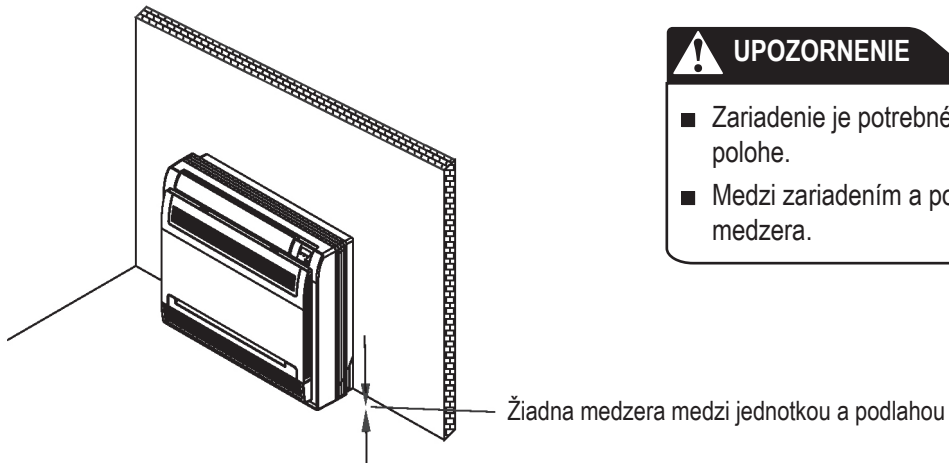
2. INŠTALÁCIA INTERIÉROVEJ JEDNOTKY

2.2 INŠTALÁCIA INTERIÉROVEJ JEDNOTKY

2.2.1 Hák pripevnite k stene pomocou reznej skrutky.



2.2.1 Interiérovú jednotku zaveste na hák.



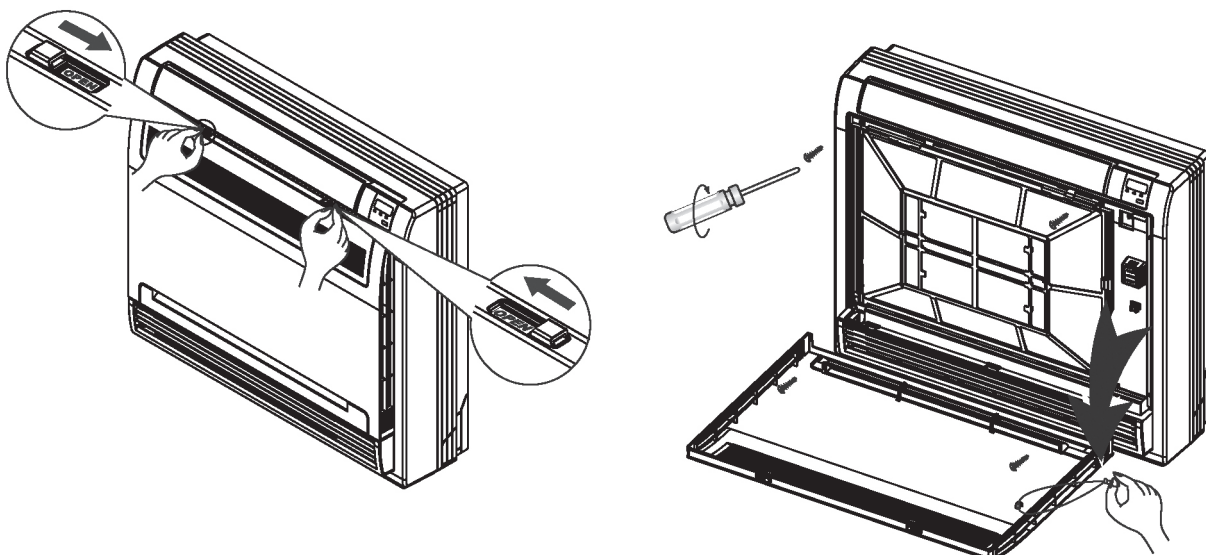
UPOZORNENIE

- Zariadenie je potrebné nainštalovať vo vertikálnej polohe.
- Medzi zariadením a podlahou by nemala byť žiadna medzera.

2.3 PRIPOJENIE POTRUBIA A VODIČOV

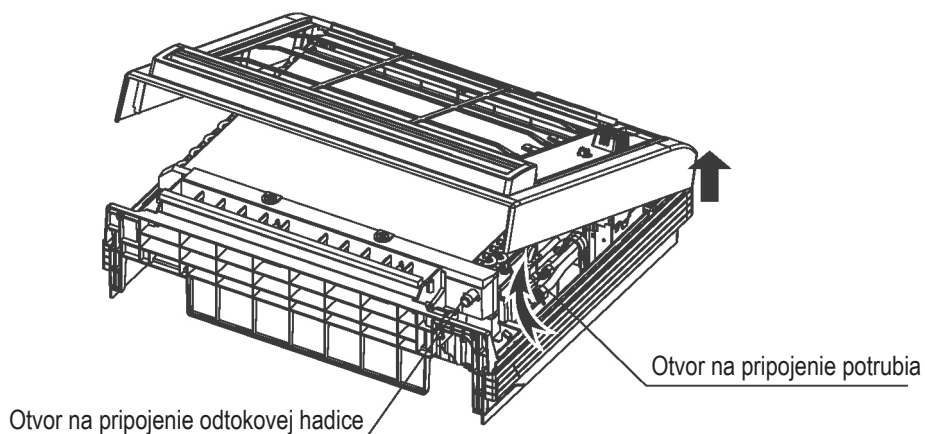
2.3.1 Naraz zatlačte zarážky a otvorte panel.

2.3.2 Odstráňte šnúrkou a zložte panel.

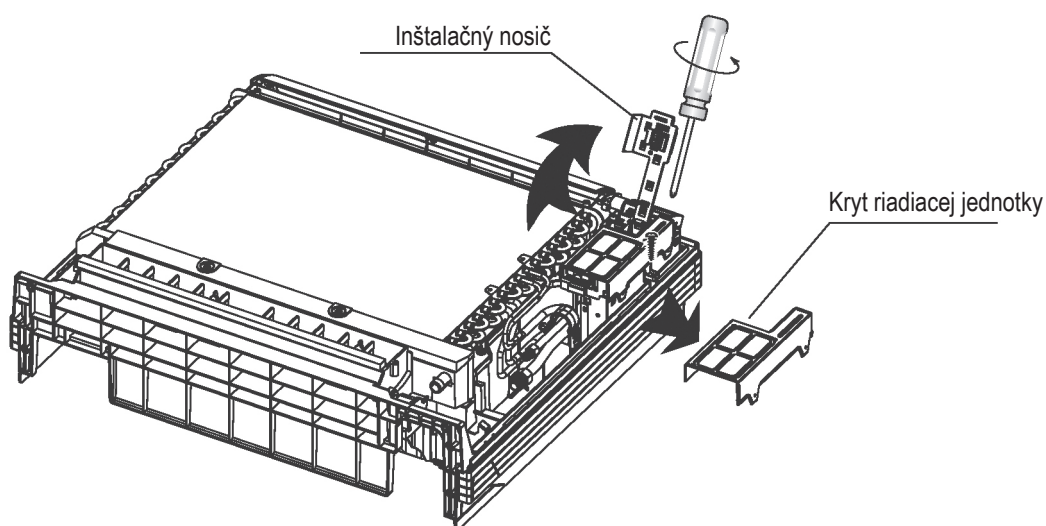


2. INŠTALÁCIA INTERIÉROVEJ JEDNOTKY

2.3.3 Odmontujte 4 skrutky a potom odstráňte rám zo spodnej strany. Po zložení rámu sa odkryje otvor na pripojenie potrubia a otvor na pripojenie hadice.

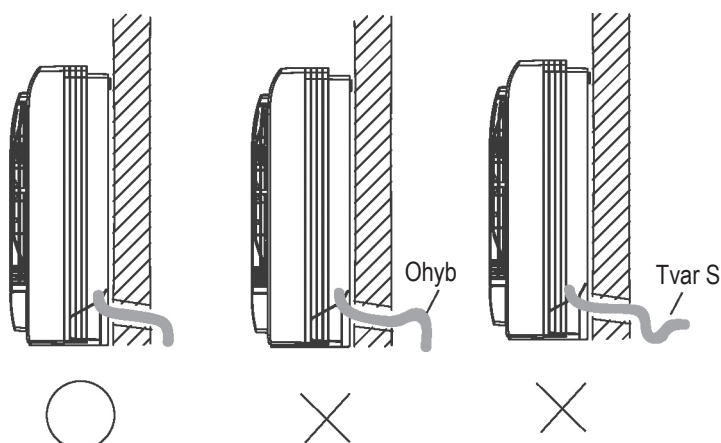


2.3.4 Demontujte inštalačný nosič a zložte kryt riadiacej jednotky. Uvidíte svorkovnicu.



2.4 INŠTALÁCIA ODTOKOVÉHO POTRUBIA

Odtokové potrubie nesmie byť prelomené, musí smerovať mierne nadol a až po vonkajšiu stenu musí byť izolované.

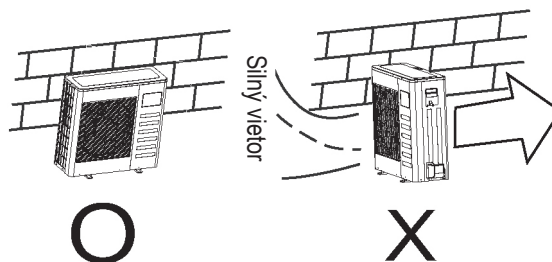


3. INŠTALÁCIA EXTERIÉROVEJ JEDNOTKY

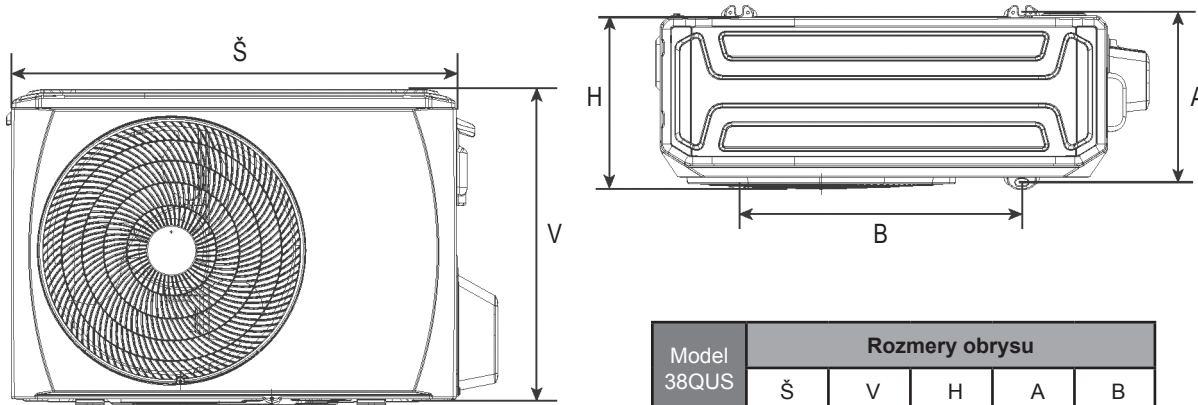
3.1 VÝBER MIESTA INŠTALÁCIE

EXTERIÉROVÁ JEDNOTKA

- Mimo dosahu dažďa a priameho slnečného svetla.
- Na miesto s dostatočným vetraním a bez prekážok v blízkosti prívodu vzduchu a výstupu vzduchu.
- Na miesto, kde sa nezvýši prevádzkový hluk alebo vibrácie exteriérovej jednotky.
- Na mieste, kde nevznikne žiadny problém s vypúšťanou vodou.
- Exteriérovú jednotku nainštalujte správne na mieste, ktoré je dostatočne odolné, aby unieslo hmotnosť exteriérovej jednotky.
- Kde je zaistený dostatočný voľný priestor, ako je uvedené.
- Kde je potrubie medzi interiérovou a exteriérovou jednotkou v prípustných medziach.
- V oblastiach so snehovými zrážkami a nízkymi teplotami exteriérovú jednotku neinštalujte na miesta, na ktorých by ju mohol zakryť sneh. Ak sa očakávajú intenzívne snehové zrážky, namontujte samostatne zakúpený stojan alebo vetrolam na zabránenie nahromadeniu snehu a zablokovaniu prístupu vzduchu.
- Pri inštalácii exteriérovej jednotky na mieste, ktoré je neustále vystavené silnému vetru, sa odporúča použitie vetrolamu.



3.2 MONTÁŽNE ROZMERY EXTERIÉROVEJ JEDNOTKY

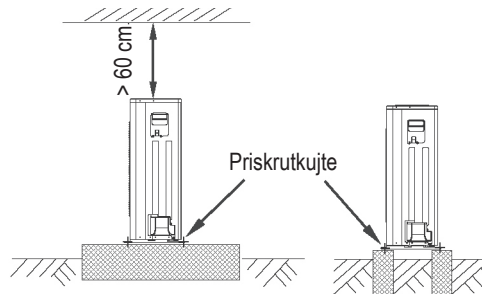
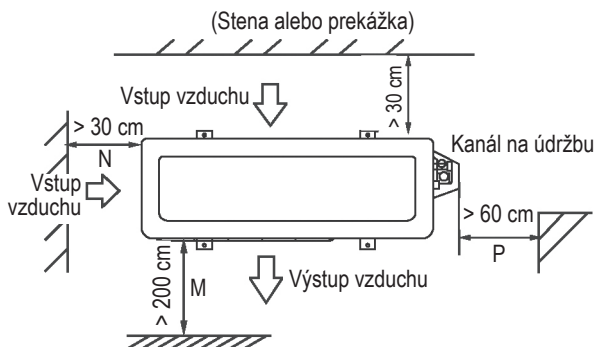


Model 38QUS	Rozmery obrysu				
	Š	V	H	A	B
009	770	555	300	298	487
012/018	800	554	333	340	514

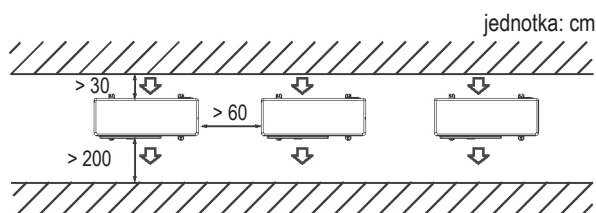
3. INŠTALÁCIA EXTERIÉROVEJ JEDNOTKY

3.3 POŽIADAVKY NA PRIESTOR PRE EXTERIÉROVÚ JEDNOTKU

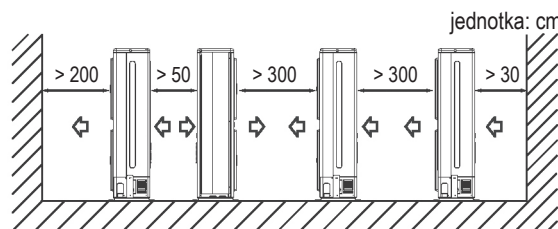
Inštalácia samostatnej jednotky



Paralelné pripojenie dvoch alebo viacerých jednotiek

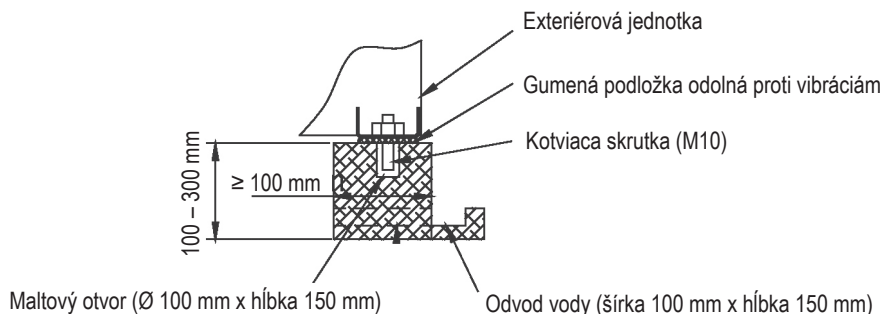


Paralelné pripojenie prednej strany so zadnými stranami.



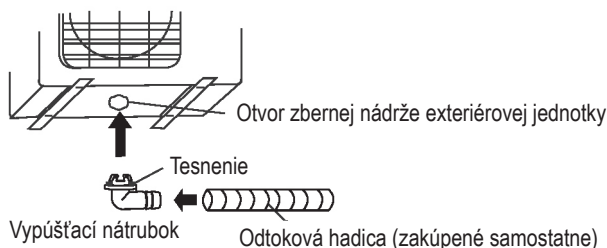
3.4 INŠTALÁCIA EXTERIÉROVEJ JEDNOTKY

- Pred inštaláciou skontrolujte, či je podstavec zariadenia dostatočne pevný a či sa nachádza vo vodorovnej polohe, aby sa zabránilo nadmernej hlučnosti.
- Pripevnite základňu pevne pomocou kotviacich skrutiek (M10), aby ste zabránili jej spadnutiu.
- Zariadenie umiestnite na podstavec a protivibračné gumené podložky tak, aby priamo podopierali spodnú stranu upevňovacích platničiek spojených so spodnou doskou exteriérovej jednotky.



3.5 INŠTALÁCIA ODTOKOVÉHO POTRUBIA PRE EXTERIÉROVÚ JEDNOTKU

- V prípade potreby k odtokovej hadici pripojte predlžovaciu hadicu.
- Na vypúšťací nátrubok nasadte tesnenie.
- Vypúšťací nátrubok zasuňte do otvoru zbernej nádrže exteriérovej jednotky a otočením o 90 stupňov ich pevne zmontujte.



4. VEDENIE POTRUBIA CHLADIVA

UPOZORNENIE

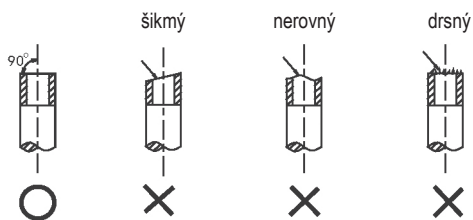
- Skontrolujte, či výškový rozdiel medzi interiérovou jednotkou a exteriérovou jednotkou a celková dĺžka potrubia na chladivo spĺňajú systémové požiadavky.
- Vedenie potrubia chladiva nasleduje po inštalácii interiérovej a exteriérovej jednotky. Potrubie najskôr pripojte k vnútornej strane a potom k vonkajšej strane.
- Vždy počas inštalácie udržiavajte konce potrubí uzavreté umiestnením krytky alebo zakrytím páskou a nevyberajte ich, kým nie ste pripravení na pripojenie potrubia.
- Uistite sa, že je zaizolované všetko vonkajšie potrubie po celej dĺžke až k pripojeniu potrubia v jednotke. Obnažené potrubie môže pri dotyku spôsobovať kondenzáciu alebo popáleniny.

4.1 SPOJE

POZNÁMKA

- Na vytvorenie spojov sú potrebné tieto nástroje: rezačka na rúrky, výstružník, rozširovací nástroj a držiak rúrky.
- V prípade modelov chladiva R32 musia byť spojovacie body potrubia umiestnené mimo miestnosti.

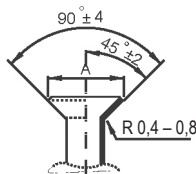
4.1.1 Použitie rezačky na rúrky na skrátenie rúrky na požadovanú dĺžku. Uistite sa, že zrezaný okraj zostáva pod uhlom 90° s bočnou stranou rúrky.



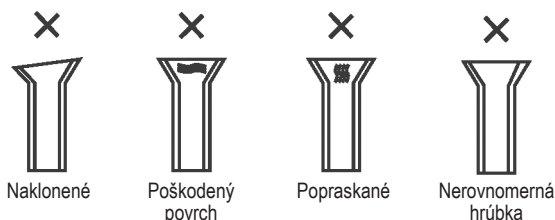
4.1.2 Pomocou výstružníka odstráňte odrepy so zrezanou plochou smerom dole tak, aby odrezky nevstupovali do potrubia.

4.1.3 Vykonajte rozšírenie pomocou rozširujúcich nástrojov, ako je uvedené nižšie.

Vonkajší priemer	A (mm)	
	Max.	Min.
Ø 6,35 mm	8,7	8,3
Ø 9,52 mm	12,4	12,0
Ø 12,7 mm	15,8	15,4
Ø 15,88 mm	19,0	18,6
Ø 19,05 mm	23,3	22,9



4.1.4 Skontrolujte, či sú spoje vykonané správne. Pozrite si ukážky nesprávnych spojov potrubí nižšie.

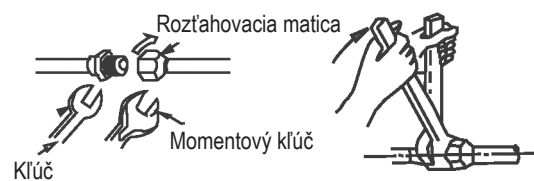


UPOZORNENIE

- V prípade potreby spájkovania použite fúkanie plynného dusíka.
- Nesprávny krútiaci moment môže spôsobiť poškodenie spojov alebo únik plynu.

4.2 VEDENIE POTRUBIA

4.2.1 Zarovnajte stred a dotiahnite rozťahovaciu maticu pomocou dvoch kľúčov.



Veľkosť potrubia	Utahovací moment
Ø 6,35 mm	18 – 20 Nm
Ø 9,52 mm	25 – 26 Nm
Ø 12,7 mm	35 – 36 Nm
Ø 15,88 mm	45 – 47 Nm
Ø 19,05 mm	65 – 67 Nm

4.2.2 Vyberte vhodný izolačný materiál na potrubie chladiva. (min. 10 mm, tepelnoizolačná pena C)

- Na plynové a kvapalinové potrubie použite samostatné tepelnoizolačné potrubia.
- Vyššie uvedená hrúbka je štandardná pri vnútornej teplote 27 °C a vlhkosti 80 %. V prípade inštalácie v nepriaznivých podmienkach, ako je v blízkosti kúpeľní, kuchýň a ďalších podobných miest, posilnite izoláciu.
- Teplota tepelnej odolnosti izolácie by mala byť vyššia ako 120 °C.
- Na spojovacie časti izolácie použite lepidlo, aby sa zabránilo prenikaniu vlhkosti.
- Opravte a zakryte prípadné trhliny v izolácii a skontrolujte hlavne ohnutú časť alebo záves potrubia.

4. VEDENIE POTRUBIA CHLADIVA

4.3 POTRUBIE CHLADIVA

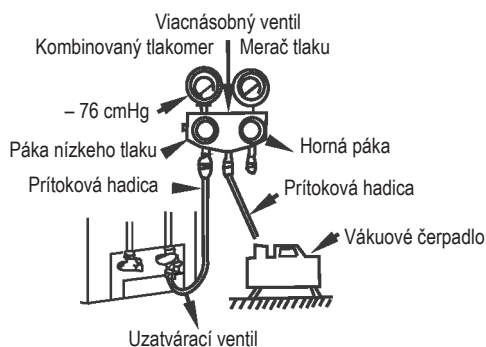
Model 38QUS	Strana kvapaliny	Strana plynu	Pripustná dĺžka potrubia (m)	Max. výškový rozdiel (m)	Optimálna dĺžka hadice (m)	Dopĺňané množstvo chladivacej zmesi na meter (R410A/R32)
009/012	Ø 6,35 mm	Ø 9,52 mm	25	10	5	15/12 g/m
018	Ø 6,35 mm	Ø 12,7 mm	30	20	5	15/12 g/m

POZNÁMKA: 1) Prosím použite náradie pre systém R410A/R32.

2) Ak je dĺžka potrubia viac než 5 m, malo by sa pridať ďalšie chladivo v závislosti od dĺžky potrubia.

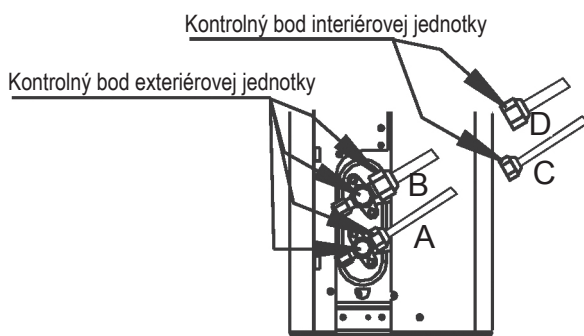
4.4 ODSÁVANIE VZDUCHU

- Pripojte prítokovú hadicu vedúcu od viacnásobného ventilu k servisnému otvoru uzatváracieho ventilu na strane plynného okruhu.
- Pripojte prítokovú hadicu k ventilu vákuového čerpadla.
- Úplne otvorte dolnú páku viacnásobného ventilu.
- Vákuovým čerpadlom odčerpávajte zo systému vzduch, až kým nedosiahne hodnotu 76 cmHg.
- Zatvorte dolnú páku viacnásobného ventilu.
- Úplne otvorte driek uzatváracích ventilov.
- Prítokovú hadicu odpojte od servisného otvoru.
- Dotiahnite uzávery uzatváracieho ventilu.



4.5 SKÚŠKA TESNOSTI

Po dokončení inštalácie potrubia skontrolujte pripojenie každého potrubia na chladivo a pomocou mydlovej vody alebo pomocou detektora úniku špeciálneho pre chladivo HFC sa uistite, že nedochádza k žiadnemu úniku plynu. Pozri obrázok nižšie na ilustráciu.



A: Nízkotlakový uzatvárací ventil

B: Vysokotlakový uzatvárací ventil

C a D: Spájacie matice interiérovej jednotky

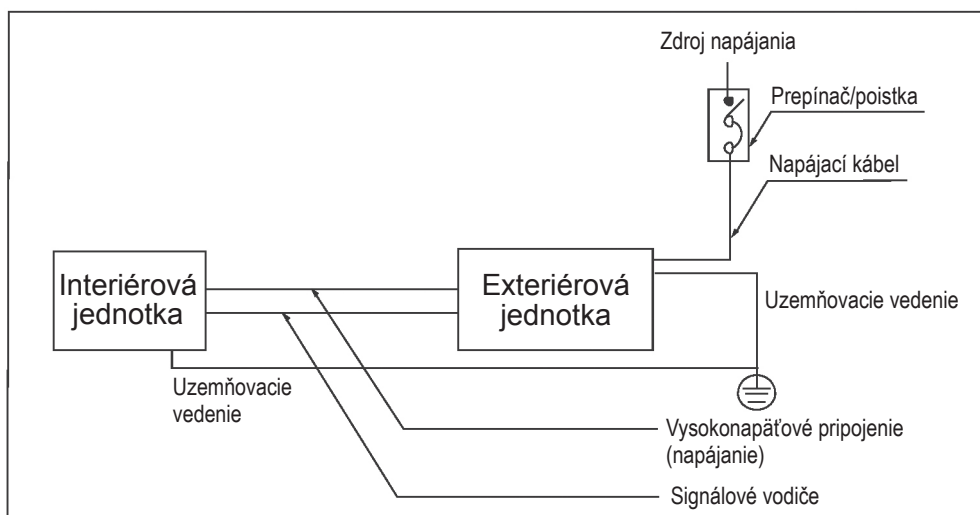
5. ELEKTRICKÉ ZAPOJENIE

UPOZORNENIE

- Všetky elektrické pripojenia musia byť vykonané kvalifikovanými technikmi a všetky káble musia byť pripojené podľa schémy zapojenia.
- Pred akýmkoľvek iným elektrickým pripojením vykonajte uzemnenie.
- Pred vykonaním elektrického zapojenia musia byť vypnuté všetky zdroje napájania a napájanie nesmie byť zapnuté, kým si nie ste istí, že bola skontrolovaná bezpečnosť všetkých pripojení.
- Nainštalujte hlavný vypínač s ističom alebo poistkou s kapacitou najmenej 1,5-násobne vyššou než je maximálna hodnota prúdu v okruhu.
- K dispozícii musí byť samostatný okruh a samostatná zásuvka.
- Priemer kábla závisí od menovitej hodnoty prúdu a príslušných vnútroštátnych a miestnych predpisov o elektroinštaláciách. Preštudujte si miestne stavebné a elektroinštaláčne predpisy.
- Aby sa predišlo ohrozeniu v prípade poškodenia napájacieho kábla, musí ho vymeniť výrobca, jeho servisný zástupca alebo iná podobne kvalifikovaná osoba.
- Zariadenie musí byť k zdroju napájania pripojené prostredníctvom ističa alebo spínača s oddelením kontaktov najmenej 3 mm na všetkých póloch. Takisto sa odporúča inštalácia prúdového chrániča, ktorého menovitý reziduálny pracovný prúd nepresahuje 30 mA.

5.1 NAPÁJANIE Z VONKAJŠEJ STRANY

- Nákres elektroinštalácie



- Špecifikácie napájania a pripájacích káblov

Model(Btu/h)		9k	12k	18k
Napájanie	Fáza	1-Fáza	1-Fáza	1-Fáza
	Frekvencia a volty	220-240V~ 50Hz	220-240V~ 50Hz	220-240V~ 50Hz
Menovitý prúd		10A	10A	11A
Hodnota poistky (Sieť. napájanie)		20A	20A	20A
Napájací kábel (Sieť. napájanie)		H07RN-F; 3×2,5mm ²	H07RN-F; 3×2,5mm ²	H07RN-F; 3×2,5mm ²
Vonkajšia/vnútorňa pripájacia kabeláž (Sieť. napájanie)		H07RN-F; 4×1,5mm ²	H07RN-F; 4×1,5mm ²	H07RN-F; 4×2,5mm ²

UPOZORNENIE NA ŠPECIFIKÁCIA POISTIETK:

(Platí len pre jednotky s chladičom R32 a poistky z keramiky.)

1. Špecifikácie poistky vonkajšej jednotky je T20A/250V stried. prúdu (pre jednotku <24000Btu/h), T30A/250V stried. prúdu (pre jednotku > 24000Btu/h)
2. Špecifikácie poistky vnútornej jednotky je T5A/250V stried. prúdu, T10A/250V stried. prúdu.

6. ZÁVEREČNÁ KONTROLA A SKÚŠOBNÁ PREVÁDZKA

6.1 ZOZNAM ZÁVEREČNÝCH KONTROL

Na dokončenie inštalácie pred skúšobnou prevádzkou vykonajte nasledujúce kontroly.

- Pevnosť miesta inštalácie tak na vnútornej, ako aj vonkajšej strane, uistite sa, že na výstupe alebo návrate vzduchu nie sú žiadne prekážky.
- Tesnosť pripojenia potrubia na chladivo a uistite sa, že nedochádza k úniku.
- Elektrické pripojenie káblov je správne dokončené a zariadenie je pripojené k uzemneniu.
- Skontrolujte celkovú dĺžku potrubia a zaznamenajte si objem prídavnej chladiacej zmesi.
- Napájacie napätie musí zodpovedať nominálnemu napätiu klimatizácie.
- Izolácia potrubia.
- Odvod vody.

6.2 RUČNÁ OBSLUHA

K ručnej obsluhu môžete pristupovať stlačením tlačidla ručného ovládania na paneli displeja.

Opakovaným stláčaním tlačidla ručného ovládania môžete prepínať medzi režimami:

- Jedno stlačenie = režim AUTO [vykurovanie, chladenie alebo ventilácia pri teplote 24 °C a automatickej rýchlosti].
- Dve stlačenia = režim CHLADENIE [po 30 minútach sa prepne do režimu AUTO (používa sa najmä na skúšobnú prevádzku)].
- Tri stlačenia = zariadenie sa vypne.

6.3 SKÚŠOBNÁ PREVÁDZKA

Diaľkovým ovládačom (alebo tlačidlom ručného ovládania) nastavte klimatizáciu na režim CHLADENIE a skontrolujte stav chodu interiérovej a exteriérovej jednotky. V prípade akejkoľvek poruchy vykonajte nápravu podľa kapitoly „Riešenie problémov“ v „Servisnej príručke“.

Interiérová jednotka

- Skontrolujte, či tlačidlá (napríklad ZAPNUTIE/VYPNUTIE, REŽIM, TEPLOTA, RÝCHLOSŤ VENTILÁTORA atď.) na diaľkovom ovládači fungujú dobre.
- Skontrolujte, či sa lamela pohybuje normálne.
- Skontrolujte, či je teplota v miestnosti nastavená správne.
- Skontrolujte, či kontrolky na paneli displeja fungujú normálne.
- Skontrolujte, či „manuálne“ tlačidlo funguje správne.
- Skontrolujte, či sa voda odvádza správne.
- Skontrolujte, či počas prevádzky necítiť vibrácie alebo nepočuť nadmerný hluk.
- Skontrolujte, či interiérová jednotka funguje správne v režime CHLADENIA alebo VYKUROVANIA.

Exteriérová jednotka

- Skontrolujte, či počas prevádzky necítiť vibrácie alebo nepočuť nadmerný hluk.
- Skontrolujte, či prúd vzduchu, hluk alebo nazrážaná vlhkosť negatívne neovplyvňujú okolie.
- Skontrolujte, či nedochádza k úniku chladiacej zmesi.



UPOZORNENIE

- Po reštartovaní zariadenia bude spustenie oneskorené o cca 3 minúty kvôli ochrane.

7. INFORMÁCIE O VYKONÁVANÍ SERVISU

7.1 KONTROLY PRIESTORU

Pred začatím prác na systéme obsahujúcom horľavé chladivá je potrebné vykonať bezpečnostné kontroly, aby sa minimalizovalo riziko vznietenia. V prípade opráv chladiaceho systému je pred začatím prác potrebné dodržiavať nasledujúce pokyny.

7.2 PRACOVNÝ POSTUP

Práce by sa mali vykonávať na základe kontrolovaného postupu, aby sa minimalizovalo riziko prítomnosti horľavého plynu alebo výparov.

7.3 PRACOVNÝ PRIESTOR

Personál údržby a osoby pracujúce v danom priestore by mali byť informované o povahe vykonávaných prác. Malo by sa predchádzať prácam v uzavretých priestoroch. Okolie pracovného priestoru by malo byť ohradené. Je potrebné zaistiť bezpečnosť pracovného priestoru kontrolou prítomnosti horľavého materiálu.

7.4 KONTROLA PRÍTOMNOSTI CHLADIVA

Pred výkonom prác aj počas nej je potrebné priestor kontrolovať vhodným detektorom chladiva, aby technik vedel o prípadných horľavých látkach v ovzduší. Zariadenie na zisťovanie úniku chladiva musí byť vhodné na použitie v prípade horľavých chladív, t. j. bez iskrenia, s primeraným utesnením a vlastným zabezpečením.

7.5 PRÍTOMNOSŤ HASIACEHO PRÍSTROJA

Ak je na chladiacom zariadení alebo súvisiacich dieloch potrebné vykonávať zvráacie alebo podobné práce, dispozícii musí byť vhodný hasiaci prístroj. V priestore napĺňania si pripravte práškový hasiaci prístroj alebo hasiaci prístroj na CO₂.

7.6 ŽIADNE ZDROJE VZNIETENIA

Osoby vykonávajúce práce na chladiacom systéme obsahujúcom horľavé chladivo nesmie používať zdroje vznietenia spôsobom, ktorý by mohol viesť k riziku požiaru alebo výbuchu. Všetky možné zdroje vznietenia vrátane fajčenia by sa mali udržiavať v dostatočnej vzdialenosti od miesta montáže, opráv, demontáže a likvidácie, počas ktorých môže dôjsť k uvoľneniu horľavého chladiva do okolitého priestoru. Pred začatím prác je potrebné skontrolovať okolie zariadenia, aby sa v jeho blízkosti nehrozilo nebezpečenstvo požiaru alebo riziko vznietenia. Je potrebné rozmiestniť oznámenia „ZÁKAZ FAJČIŤ“.

7.7 VETRANIE

Pred prerušením systému alebo vykonávaním zvráacích či podobných prác zaistíte, aby bol daný priestor otvorený alebo dostatočne vetraný. Počas výkonu prác je potrebné zaistiť dostatočnú mieru vetrania. Vetrание by malo bezpečne rozptýliť uvoľnené chladivo a podľa možnosti ho odvieť do vonkajšej atmosféry.

7.8 KONTROLA CHLADIACEHO ZARIADENIA

V prípade výmeny elektrických komponentov je potrebné zaistiť, aby boli vhodné na určený účel a vyhovovali správnym technickým parametrom. Vo všetkých prípadoch je potrebné dodržiavať pokyny výrobcu týkajúce sa údržby a servisu. V prípade pochybností sa poraďte s technickým oddelením výrobcu. Nasledujúce kontroly je potrebné uskutočniť v prípade zariadení používajúcich horľavé chladivá:

7. INFORMÁCIE O VYKONÁVANÍ SERVISU

- naplňaný objem je v súlade s rozlohou miestnosti, v ktorej sa nachádzajú diely obsahujúce chladivo;
- vetracie mechanizmy a vývody fungujú dostatočne a nie sú zablokované;
- ak sa používa nepriamy chladiaci okruh, je potrebné skontrolovať druhotné okruhy, aby sa zistila prípadná prítomnosť chladiva; označenia zariadenia musia byť stále viditeľné a čitateľné;
- nečitateľné označenia a symboly je potrebné vymeniť;
- hadica chladiva a podobné komponenty je potrebné namontovať na miesto, kde nebudú vystavené látkam spôsobujúcim ich koróziu, pokiaľ nie sú vyrobené z materiálov odolných voči korózii alebo vhodným spôsobom chránených voči jej účinkom.

7.9 KONTROLY ELEKTRICKÝCH ZARIADENÍ

Oprava a údržba elektrických komponentov by mala zahŕňať počiatočné bezpečnostné kontroly a inšpekcie komponentov. Ak sa zistí chyba, ktorá by mohla ohroziť bezpečnosť, daný okruh je potrebné odpojiť od elektriny, kým sa problém uspokojivo neodstráni. Ak chybu nemožno odstrániť okamžite, ale jej odstránenie je potrebné na pokračovanie v prevádzke, použite primerané náhradné riešenie. Túto udalosť je potrebné oznámiť vlastníčkovi zariadenia, aby boli všetky relevantné strany informované.

Počiatočné bezpečnostné kontroly:

- kondenzátory musia byť vybité: tento úkon je potrebné uskutočniť bezpečným spôsobom, aby sa predišlo iskreniu;
- pri naplňaní, vyčerpávaní a preplachovaní systému nesmú byť odhalené žiadne elektrické komponenty pod prúdom;
- uzemnenie nesmie byť prerušené.

7.10 OPRAVY UTESNENÝCH KOMPONENTOV

- 10.1 Počas opráv utesnených komponentov je zariadenie potrebné odpojiť od všetkých zdrojov napájania pred demontovaním utesnených krytov atď. Ak je napájanie zariadenia počas vykonávania servisu skutočne nevyhnutné, v najkritickejších bodoch je potrebné nainštalovať zariadenie na detekciu únikov, aby sa zaistilo varovanie pred možnou nebezpečnou situáciou.
- 10.2 Osobitnú pozornosť treba venovať nasledujúcim bodom, aby sa zaistilo, že pri práci na elektrických komponentoch nedôjde k takej zmene krytov, ktorá by znížila úroveň bezpečnosti. Ide najmä o poškodenie káblov, nadmerný počet spojov, koncovky nespĺňajúce pôvodné technické parametre, poškodenie tesnení, nesprávna montáž upchávok atď.
- Skontrolujte, či je zariadenie namontované dostatočne pevne.
 - Skontrolujte, či nedošlo k degradácii tesnení alebo tesniacich materiálov do takej miery, že už nespĺňajú svoj účel zabránenia vzniku horľavej atmosféry. Náhradné diely by mali byť v súlade s technickými parametrami výrobcu.

POZNÁMKA: Používanie tesniaceho silikónu môže znížiť efektivitu niektorých zariadení na detekciu netesností. Vnútorne zabezpečené komponenty nie je potrebné pred prácou na nich izolovať.

7.11 OPRAVY VNÚTORNE ZABEZPEČENÝCH KOMPONENTOV

Okruh nevystavujte indukčnému alebo kapacitnému zaťaženiu bez toho, aby ste vopred zaistili, že to nespôsobí prekročenie maximálnych povolených hodnôt napätia a prúdu. Vnútorne zabezpečené komponenty sú jediným druhom komponentov, na ktorých možno pracovať pod prúdom v prítomnosti horľavého plynu. Skúšobné zariadenie musí mať správne menovité hodnoty. Komponenty nahradzajte iba dielmi uvedenými výrobcu. Iné diely by mohli mať za následok vznietenie chladiva v ovzduší.

7. INFORMÁCIE O VYKONÁVANÍ SERVISU

7.12 KABELÁŽ

Skontrolujte, či kabeláž nebude vystavená opotrebovávaniu, korózii, nadmernému tlaku, vibráciám, ostrým hranám alebo iným nepriaznivým účinkom prostredia. Táto kontrola by zároveň mala brať do úvahy účinky starnutia alebo nepretržitých vibrácií zo zdrojov, ako sú kompresory alebo ventilátory.

7.13 DETEKCIA HORĽAVÉHO CHLADIVA

Pri hľadaní alebo detekcii únikov chladiva sa za žiadnych okolností nesmú používať možné zdroje vznietenia. Halidová lampa (alebo iný detektor využívajúci otvorený plameň) sa nesmie používať.

7.14 SPÔSOBY DETEKČIE ÚNIKOV CHLADIVA

V prípade systémov s horľavým chladivom sa považujú za prijateľné nasledujúce spôsoby detekcie. Na detekciu horľavých chladív by sa mali používať elektronické detektory, no ich citlivosť nemusí vždy postačovať, resp. môže byť potrebná kalibrácia. (Detekčné zariadenie je potrebné kalibrovať v priestore bez prítomnosti chladiva). Zaisťte, aby detektor nebol možným zdrojom vznietenia a aby bol vhodný pre použité chladivo. Zariadenie na detekciu únikov chladiva je potrebné nastaviť na percentuálnu hodnotu LFL chladiva a kalibrovať na používané chladivo. Zároveň je potrebné skontrolovať správnu percentuálnu hodnotu plynu (max. 25 %). Kvapaliny na detekciu únikov chladiva sú vhodné na používanie s väčšinou chladív, ale prostriedky obsahujúce chlór by sa nemali používať, pretože by mohli reagovať s chladivom a spôsobiť koróziu medeného potrubia. Ak sa predpokladá únik chladiva, všetky otvorené plamene je potrebné odstrániť alebo zhasiť. Ak sa nájde únik chladiva vyžadujúci spájkovanie mosadzou, všetko chladivo je zo systému potrebné vyčerpať, resp. ho izolovať (pomocou uzatváracích ventilov) v časti systému, ktorá je dostatočne vzdialená od miesta úniku. Následne je systém potrebné prečistiť dusíkom bez obsahu kyslíka, a to pred procesom spájkovania, aj počas neho.

7.15 ODSTRÁNENIE A ODČERPANIE VZDUCHU

Pri prerušovaní okruhu chladiva na účely opráv alebo na iné podobné účely je potrebné dodržiavať bežné postupy. Týmto činnostiam však treba venovať zvýšenú pozornosť, pretože hrozí riziko vznietenia. Je potrebné dodržiavať nasledujúce postupy:

- odstránenie chladiva;
- prečistenie okruhu chemicky neaktívnym plynom;
- odčerpanie vzduchu;
- opätovné prečistenie chemicky neaktívnym plynom;
- otvorenie okruhu rezom alebo spájkovaním mosadzou.

Chladivo je potrebné vyčerpať do správnych nádob. Systém je potrebné prečistiť dusíkom bez obsahu kyslíka, aby sa zaisťila bezpečnosť zariadenia. Tento proces môže byť potrebné niekoľkokrát zopakovať. Na tento účel sa nesmie používať stlačený vzduch alebo kyslík.

Prečistenie sa vykonáva narušením vákua v systéme pomocou dusíka bez obsahu kyslíka a pokračovaním v napíňaní, kým nedôjde k dosiahnutiu pracovného tlaku. Následné je plyn potrebné vypustiť do atmosféry a znova zabezpečiť vákuum. Tento proces je potrebné opakovať dovtedy, kým sa v systéme nebude nachádzať žiadne chladivo.

Keď sa posledný raz použije dusík bez obsahu kyslíka, systém je potrebné odvetrať na úroveň atmosférického tlaku, aby sa mohli vykonať práce. Tento postup je mimoriadne dôležitý, pokiaľ sa má na potrubí uskutočniť spájkovanie mosadzou. Zaisťte, aby vývod vákuového čerpadla nebol v blízkosti žiadnych zdrojov vznietenia a k dispozícii bolo dostatočné vetranie.

7. INFORMÁCIE O VYKONÁVANÍ SERVISU

7.16 POSTUP NAPŔŔANIA

Okrem bežných postupov napŔŔania je potrebné dodržiavať aj nasledujúce pokyny:

- Pri používaní napŔŔacieho vybavenia zaistite, aby nedošlo k vzájomnej kontaminácii rôznymi chladivami. Hadice a vedenia by mali byť čo najkratšie, aby sa minimalizovalo množstvo v nich obsiahnutého chladiva.
- Nádoby je potrebné udržiavať vo zvislej polohe.
- Pred napŔŔaním chladiaceho systému chladivom je potrebné zaistiť jeho uzemnenie.
- Po dokončení napŔŔania označte systém štítkami (ak ešte nie je označený).
- Chladiaci systém sa nesmie prepŔŔať.
- Pred opätovným naplnením systému je potrebné skontrolovať tlak pomocou dusíka bez obsahu kyslíka. Po dokončení napŔŔania, ale ešte pred uvedením do prevádzky je potrebné odskúšať, či v systéme nedochádza k únikom chladiva. Následné odskúšanie tesnosti systému

7.17 VYRADENIE Z PREVÁDZKY

Pred uskutočnením tohto úkonu sa technik musí úplne oboznámiť so zariadením a všetkými podrobnosťami. Všetko chladivo je potrebné odčerpať. Pred samotným úkonom je potrebné odobrať vzorku oleja a chladiva.

Je to potrebné na účely analýzy v prípade opätovného použitia vyčerpaného chladiva. Pred začatím úkonu musí byť k dispozícii napájanie elektrickým prúdom.

- a) Oboznámte sa so zariadením a jeho obsluhou.
- b) Zaistite elektrickú izoláciu systému.
- c) Pred uskutočnením úkonu zaistite nasledujúce:
 - musí byť k dispozícii mechanické manipulačné vybavenie na manipuláciu s nádobami s chladivom, ak je potrebné;
 - k dispozícii sú všetky osobné ochranné prostriedky a správne sa používajú;
 - na proces vyčerpania dohliada kompetentný pracovník;
 - vybavenie na vyčerpanie chladiva a nádoby na chladivo spŔŔňajú všetky príslušné predpisy.
- d) Ak je to možné, chladiaci systém odčerpajte.
- e) Ak nie je možné dosiahnuť vákuum, chladivo odčerpajte z viacerých častí systému.
- f) Nádobu na chladivo pred vyčerpaním umiestnite na váhu.
- g) Spustíte zariadenie na vyčerpanie chladiva a používajte ho podľa pokynov výrobcu.
- h) Nádoby neprepŔŔajte. (nenapŔŔajte ich na viac ako 80 % objemu).
- i) Neprekračujte maximálny pracovný tlak nádoby, ani dočasne.
- j) Po správnom naplnení nádob a dokončení procesu nádoby a vybavenie urýchlene odstráňte z pracovného priestoru a zatvorte všetky izolačné ventily.
- k) Vyčerpané chladivo sa nesmie napŔŔať do iného chladiaceho systému, pokiaľ sa nevyčistí a neskontroluje.

7.18 OZNAČENIA

Zariadenie je potrebné označiť štítkom o vyradení z prevádzky a vyprázdnení chladiva. Na tento štítok je potrebné uviesť dátum a podpis. Na zariadení musia byť umiestnené štítky uvádzajúce, že obsahuje horľavé chladivo.

7. INFORMÁCIE O VYKONÁVANÍ SERVISU

7.19 ODČERPANIE CHLADIVA

- Pri odčerpávaní chladiva zo systému, či už na účely servisu, alebo na účely vyradenia z prevádzky, odporúčame dodržiavať správne postupy na zaistenie odstránenia všetkého chladiva.
- Pri presune chladiva do nádob používajte iba vhodné nádoby na odčerpávanie chladiva. Zaistite, aby bol k dispozícii dostatočný počet nádob na celý objem chladiva v systéme. Všetky používané nádoby musia byť označené pre odčerpávané chladivo (t. j. na odčerpávanie chladiva). Nádoby by mali byť vybavené funkčným uvoľňovacím ventilom a uzatváracími ventilmi.
- Z prázdnych nádob na chladivo je pred odčerpaním chladiva potrebné vyčerpať vzduch a podľa možnosti ich schlaďiť.
- Zariadenie na odčerpávanie chladiva musí byť funkčné, pričom k nemu musia byť k dispozícii príslušné pokyny a zároveň by malo byť vhodné na odčerpávanie horľavých chladív. K dispozícii musia byť aj funkčné kalibrované váhy.
- Hadice musia byť vybavené dobre tesniacimi spojmi, pričom musia byť v dobrom stave. Pred použitím zariadenia na odčerpávanie chladiva skontrolujte, či je funkčné, či bolo správne udržiavané a či sú všetky elektrické komponenty utesnené, aby sa v prípade úniku chladiva predišlo vznieteniu. Ak máte pochybnosti, poraďte sa s výrobcom.
- Odčerpávané chladivo je potrebné vrátiť dodávateľovi v správnych nádobách spolu s príslušným listom na prepravu odpadu. Nemiešajte rôzne chladivá v zariadeniach na odčerpávanie a hlavne nie v nádobách na chladivo.
- Ak je potrebné demontovať kompresor alebo odčerpať kompresorový olej, zaistite primeranú úroveň vákua, aby v mazive neostalo horľavé chladivo. Proces odčerpávania vzduchu je potrebné uskutočniť ešte pred vrátením kompresora dodávateľovi. Na urýchlenie tohto procesu možno použiť len elektrický ohrev kompresora. Odčerpávanie oleja zo systému je potrebné uskutočniť opatrne.

7.20 PREPRAVA, OZNAČOVANIE A SKLADOVANIE ZARIADENÍ

1. Prepravu zariadenia obsahujúceho horľavé chladivo je potrebné uskutočniť v súlade s príslušnými predpismi.
2. Zariadenie je potrebné označiť v súlade s príslušnými predpismi.
3. Likvidáciu zariadenia obsahujúceho horľavé chladivo je potrebné uskutočniť v súlade s príslušnými predpismi.
4. Skladovanie zariadenia/spotrebičov
Zariadenia je potrebné skladovať v súlade s pokynmi výrobcu.
5. Skladovanie zabalených (nepredaných) zariadení
Zariadenia je potrebné skladovať tak, aby mechanické poškodenie zariadenia vo vnútri obalu nespôsobil únik chladiva.
Maximálny počet zariadení, ktoré možno skladovať na jednom mieste, určia príslušné predpisy.

Ta izdelek je skladen z Direktivo o nizki napetosti (2014/35/ES) in Direktivo o elektromagnetni združljivosti (2014/30/ES) Evropske unije.



Pravilno odstranjevanje izdelka (Odpadna električna in elektronska oprema)

(Pri uporabi te klimatske naprave v evropskih državah upoštevajte spodnja navodila)

– Ta oznaka na izdelku ali njegovi literaturi kaže odpadno električno in elektronsko opremo, (WEEE po direktivi 2012/19/EU) katere se ne sme odlagati skupaj z običajnimi gospodinjstvi izdelki.

To napravo je prepovedano odlagati med gospodinjstve odpadke.

Za odlaganje obstajajo različne možnosti:

1. Občina je vzpostavila sistem zbiranja odpadkov, kjer lahko uporabnik brezplačno odlaga elektronske odpadke.
2. Ob nakupu novega izdelka bo prodajalec brezplačno prevzel star izdelek.
3. Proizvajalec bo brezplačno prevzel staro napravo.
4. Ker stari izdelki vsebujejo dragocene vire, jih lahko prodate trgovcem z odpadnimi kovinami.

Divje odlaganje odpadkov v gozdove in naravo ogroža vaše zdravje, ker nevarne snovi pronicajo v podtalnico in se znajdejo v prehranjevalni verigi.

Ta izdelek vsebuje fluorirane pline, ki jih zajema Kjotski protokol.

Kemijsko ime plina

R410A / R32

Potencial plina za segrevanje ozračja (GWP)

2088 / 675



POZOR

1. Priloženo oznako hladilnega sredstva prilepite poleg mesta za dovajanje in/ali shranjevanje hladilnega sredstva.
2. Na oznako hladilnega sredstva jasno napišite dovajano količino hladilnega sredstva s črnilom, ki ga ni mogoče izbrisati.
3. Preprečite izpuste fluoriranega plina. Poskrbite, da se med nameščanjem, servisiranjem ali odlaganjem fluoriran plin nikoli ne sprošča v ozračje. Če je zaznano uhajanje fluoriranega plina, je treba nadaljnje uhajanje zaustaviti in napako čim prej odpraviti.
4. Do tega izdelka lahko dostopajo in ga servisirajo le pooblašteni serviserji.
5. Kakršno koli rokovanje s fluoriranim plinom v tem izdelku, npr. premikanje izdelka ali dodatno polnjenje plina, mora biti skladno z Uredbo (ES) št. 517/2014 o določenih fluoriranih toplogrednih plinih in vsemi drugimi zadevnimi lokalnimi zakoni.
6. V primeru vprašanj se obrnite na prodajalce, montažerje ipd.

Notranja enota	Dimenzije (notranja enota)	Zunanja enota	Dimenzije (zunanja enota)	Nazivna napetost, Hz
42QZA009DS*	700 × 600 × 210	38QUS009DS*	770 × 300 × 555	
42QZA012DS*	700 × 600 × 210	38QUS012DS*	800 × 333 × 554	220–240 V~, 50 Hz
42QZA012D8S*	700 × 600 × 210	38QUS012D8S*	800 × 333 × 554	
42QZA018DS*	700 × 600 × 210	38QUS018DS*	800 × 333 × 554	

Proizvajalec si pridržuje pravico do spremembe specifikacij izdelka brez predhodnega obvestila.

VSEBINA

1. PRIPRAVA NA NAMESTITEV	3
1.1 Varnostni ukrepi	3
1.2 Dodatna oprema	4
2. NAMESTITEV NOTRANJE ENOTE	6
2.1 Izbira mesta vgradnje	6
2.2 Namestitev zunanje enote	7
2.3 Kako priključiti cevi in vlečne žice	7
2.4 Namestitev odtočne cevi	8
3. NAMESTITEV ZUNANJE ENOTE	9
3.1 Izbira mesta vgradnje	9
3.2 Dimenzije montaže zunanje enote	9
3.3 Zahtevani prostor za zunanjo enoto	10
3.4 Namestitev zunanje enote	10
3.5 Namestitev odtočne cevi za zunanjo enoto	10
4. CEVI HLADILNEGA SREDSTVA	11
4.1 Razširjanje cevi	11
4.2 Delo s cevmi	11
4.3 Cev hladilnega sredstva	12
4.4 Odvajanje zraka	12
4.5 Preskus toka uhajanja	12
5. NAPELJAVA	13
6. KONČNO PREVERJANJE IN PRESKUS DELOVANJA	14
6.1 Seznam za končno preverjanje	14
6.2 Ročno upravljanje	14
6.3 Preskus delovanja	14
7. PODATKI O SERVISIRANJU	15



Pozor: Nevarnost požara samo
za hladilno sredstvo R32/R290

1. PRIPRAVA NA NAMESTITEV

1.1 VARNOSTNA OPOZORILA

- Namestitev, zagon in servisiranje opreme klimatske naprave so lahko nevarni zaradi sistemskih tlakov, električnih komponent in lokacije opreme (strehe, dvignjene strukture ipd.).
- Samo usposobljeni, kvalificirani monterji ter serviserji lahko izvajajo namestitev, zagon in servisiranje te opreme.
- Pri delu z opremo je treba upoštevati varnostne ukrepe, ki so navedeni v literaturi ter na etiketah, nalepkah in oznakah na opremi.
- Upoštevajte vse varnostne kode. Uporabljajte zaščitna očala in delovne rokavice. Med spajkanjem imejte pri sebi mokro krpo in gasilni aparat. Pri ravnanju z večjo opremo in njeni namestitvi bodite previdni.
- Temeljito preberite ta navodila in upoštevajte vsa opozorila, vključena v literaturi in pritrjena na enoto. Za posebne zahteve glejte lokalne gradbene predpise in nacionalno energetska zakonodaja.

OPOZORILO

Ta simbol označuje možnost poškodb osebja ali izgube življenja.

- **Hladilni plin je težji od zraka in nadomešča kisik. Večje uhajanje lahko povzroči pomanjkanje kisika, zlasti v kletah, pri čemer lahko nevarnost zadušitve pripelje do resne poškodbe ali smrti.**
- **Če je klimatska naprava nameščena v majhnem prostoru, zagotovite ustrezne ukrepe, da koncentracija uhajanja hladilnega sredstva v prostor ne preseže kritične ravni.**
- **Če med namestitvijo pride do uhajanja hladilnega plina, takoj prezračite prostor.**
Hladilni plin lahko ob stiku z ognjem (iz električnega grelca, peči ali kuhalne naprave) proizvede strupen plin. Izpostavljenost temu plinu lahko povzroči resne poškodbe ali smrt.
- **Pred izvajanjem kakršnega koli dela na električni napeljavi izklopite napravo iz vira napajanja. Pravilno priključite priključni kabel.**
Nepravilna priključitev lahko povzroči poškodbe električnih delov.
- **Uporabite predpisane kable za električne povezave in vlečne žice čvrsto pritrdite k veznim sponkam terminalnega bloka, tako da se zunanja sila ne razširja v terminal.**
- **Obvezno zagotovite ozemljitev.**
Enot ne ozemljite do plinskih cevi, cevi za vodo, strelovoda ali telefonskih žic. Zaradi nepopolne ozemljitve se lahko pojavi nevarnost hudega udara, ki lahko povzroči resne poškodbe ali smrt.
- **Varno zavrzite embalažne materiale.**
Embalažni materiali, kot so žebli in drugi kovinski ali leseni deli, lahko povzročijo vbodline ali druge poškodbe. Plastične embalažne vrečke raztrgajte in jih zavrzite ter tako preprečite, da bi se z njimi igrali otroci. Otroci, ki se igrajo s plastičnimi vrečkami, se lahko z njimi zadušijo.
- **Enote ne montirajte v bližini območij z visoko koncentracijo gorljivih plinov ali plinskih hlapov.**
- **Uporabite le dobavljene ali navedene montažne dele.**
Zaradi uporabe drugačnih montažnih delov se lahko enota razrahlja, lahko pride do uhajanja vode iz enote, električnega udara, požara ali poškodb opreme.
- **Pri nameščanju ali prestavljanju sistema zrak ali katera koli druga snov, razen navedenega hladilnega sredstva (R410A/R32), ne sme vstopiti v cikel hlajenja.**
- **Nikoli ne spreminjajte te enote z odstranjevanjem zaščitne opreme ali tako, da zaobidete varnostna zaporna stikala.**
- **Električne inštalacije morajo biti izvedene v skladu z navodili za namestitev ter državnimi, regijskimi in lokalnimi predpisi na področju električne napeljave.**
- **Obvezno uporabite namenski tokokrog. V vtičnico nikoli ne priklopite še ene naprave.**

1. PRIPRAVA NA NAMESTITEV

OPOZORILO

- Da bi preprečili nevarnost zaradi napačno ponastavljene termične varovalke, aparata ne priklopljajte na zunanjo preklopno napravo, kot je časovnik, ali na tokokrog, ki ga pripomoček redno vklaplja in izklaplja.
- Uporabite predpisane kable za električno povezavo z izolacijo, zaščitene z izolacijsko pušo in z ustrežno nazivno temperaturo.
Neustrezni kablji lahko povzročijo električni preboj, nepravilno proizvodnjo toplote ali ogenj.
OPOMBA: Za enote, ki uporabljajo hladilno sredstvo R32/R290, so potrebni naslednji podatki:
- Napravo morate hraniti v sobi brez stalno delujočih virov vžiga. (kot so: odprti ognji, ter delujoče naprave na plin, ali delujoč električni grelec).
- Ne prebadajte ali sežigajte.
- Upoštevajte, da ima lahko hladilno sredstvo poseben vonj.
- Upoštevati je potrebno skladnost z nacionalnimi pravili o plinu.
- Napravo morate hraniti v dobro prezračenem prostoru, kjer velikost sobe ustreza področju sobe, ki je določeno za delovanje.
- Napravo je potrebno namestiti, uporabljati in hraniti v prostoru, kjer površina tal presega $X \text{ m}^2$, napeljava cevi pa je ohranjena pri najmanj $X \text{ m}^2$ (Prosimo obrnite se na naslednji obrazec).
- Naprave ne nameščajte v neprezračenem prostoru, če je ta manjši od $X \text{ m}^2$ (Prosimo obrnite se na naslednji obrazec). Prostori, kjer morajo biti hladilne cevi v skladu z narodnimi pravili o plinu.

Model(Btu/h)	Količina polnila hladilnega sredstva (kg)	maksimalna višina namestitve (m)	Najmanjše področje prostora (m^2)
≤ 30000	$\leq 2,048$	1,8m	4
		0,6m	35
30000-48000	2,048-3,0	1,8m	8
		0,6m	80
> 48000	$> 3,0$	1,8m	9
		0,6m	80

Opomba o fluoriranih plinih

- Ta enota klimatske naprave vsebuje fluorirane pline. Za posebne podatke o vrsti in količini plina, se prosimo obrnite na odgovarjajočo oznako na sami enoti.
- Montažo, servis, vzdrževanje in popravilo te enote mora izvesti usposobljeni tehnik.
- Odmontiranje in reciklažo mora izvesti certificirani tehnik.
- Če je nameščen sistem za zaznavanje uhajanja tekočine, je potrebno preverjanje, ali je do tega prišlo, vsakih 12 mesecev.
- Vodite zapisnik vsakič, ko enoto preverite za uhajanje.

1. PRIPRAVA NA NAMESTITEV



Ta simbol označuje možnost materialne škode ali hudih posledic.

- Da bi se izognili morebitnim poškodbam, pazljivo ravnajte z deli, ki imajo ostre robove.
- Ne nameščajte notranje ali zunanje enote na mestu, kjer so posebne okoljske razmere.
- Ne nameščajte enot na mestu, kjer se lahko okrepi njihova raven hrupa ali kjer hrup in odvajan zrak motita sosede.
- Opravite drenažo/delo s cevmi varno in v skladu z navodili za namestitev.
Če odtok ni pravilno izveden, lahko pride do uhajanja vode in materialne škode.
- Klimatske naprave ne nameščajte na naslednjih mestih.
 - Mesto, kjer je prisotno mineralno olje ali arzenova kislina.
 - Mesto, kjer se lahko zbirajo jedki plini (kot je plin žveplaste kisline) ali gorljiv plin (razredčilo) ali kjer se obravnavajo hlapne gorljive snovi.
 - Mesto, kjer oprema povzroča elektromagnetna polja ali visoke frekvence.

1.2 DODATNA OPREMA

Naslednja dodatna oprema je dobavljena z enoto. Tip in količina se lahko razlikujeta glede na specifikacije.

Ime pribora	Količina (kos)	Oblika	Uporaba
Ročno	3		<Priročnik za namestitev>, <Uporabniški priročnik>, <Priročnik za daljinski upravljalnik> (ali <Priročnik za žični upravljalnik>)
Tesnilo	1		Zatesnite odtočni izhod za zunanjo enoto.
Odtočna odprtina	1		Priključite cev za odtekanje za zunanjo enoto.
Filter-objemka	1		Za skladnost s standardi EMC (uporablja se za priključne vlečne žice za notranjo/zunanjo enoto)
Zapenjalo	2		Za namestitev

Naslednja dodatna oprema je povezana z daljinskim upravljalnikom.

Ime pribora	Količina (kos)	Oblika	Uporaba
Daljinski upravljalnik	1		Za daljinsko upravljanje klimatske naprave
Nosilec daljinskega upravljalnika	1		Nosilec daljinskega upravljalnika na steni
Navojni vijak	2		Za pritrditev nosilca za daljinski upravljalnik
Baterije	2		Za daljinski upravljalnik

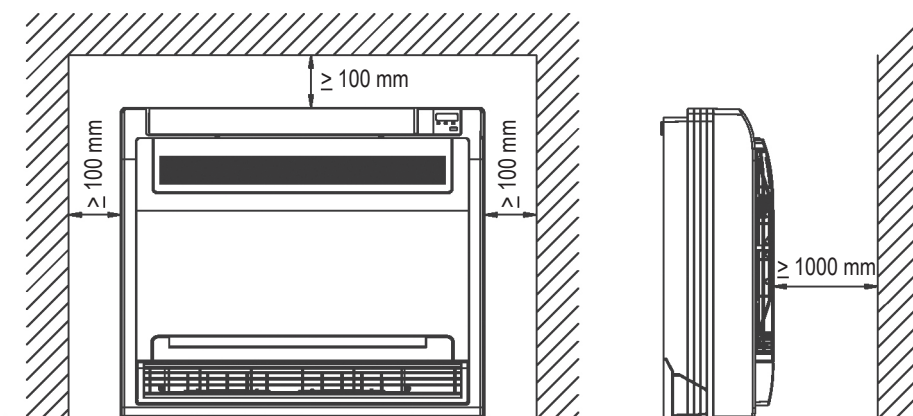
Opomba: Dodatna oprema v povezavi z daljinskim upravljalnikom ni na voljo za modele z žičnim upravljalnikom. Za dodatno opremo žičnega upravljalnika si oglejte priložen priročnik za žični upravljalnik.

2. NAMESTITEV NOTRANJE ENOTE

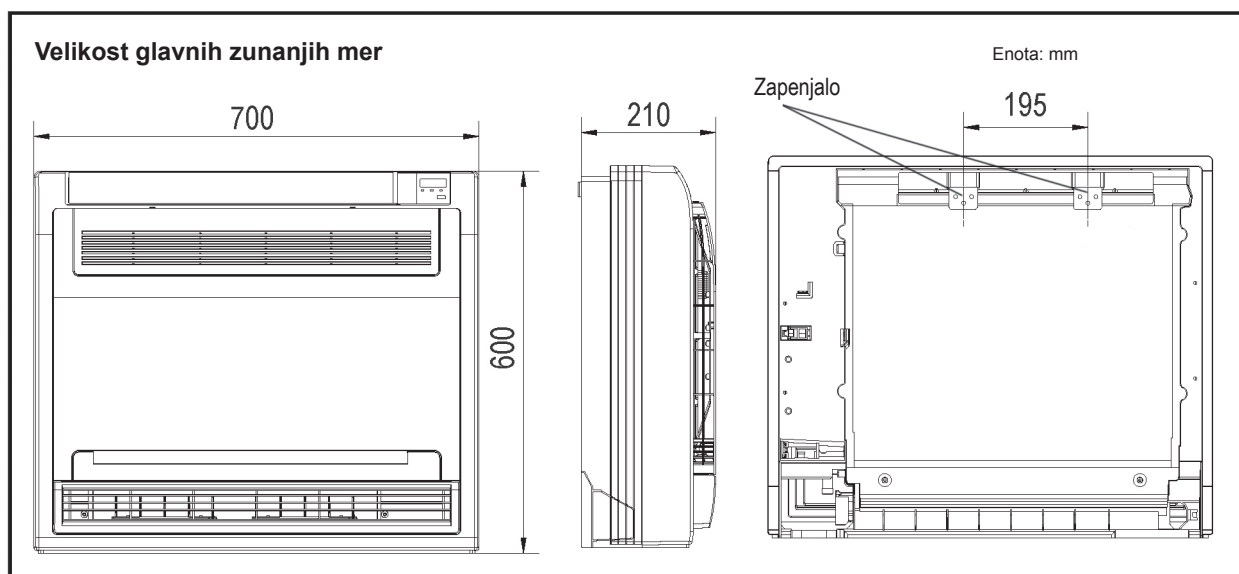
2.1 IZBIRA MESTA VGRADNJE

NOTRANJA ENOTA

- Kjer enota ni izpostavljena neposredni sončni svetlobi.
- Kjer zračni tok ni oviran.
- Kjer je zagotovljena optimalna porazdelitev zraka.
- Kjer lahko kondenzat pravilno in varno odteka.
- Notranjo enoto namestite na steno/strop, ki preprečuje vibracije in lahko prenese težo izdelka.
- Ohranjajte prazno območje okrog notranje enote za vzdrževanje in servisiranje.
- Kjer lahko zračni filter enostavno odstranite in očistite.
- Kjer so cevi med notranjo in zunanjo enoto v okviru dovoljenih omejitev.
- Notranjo enoto namestite 1 m ali več od TV-sprejemnika ali radia, da preprečite izkrivljenost slike ekrana ali šuma radia.
- Notranjo enoto namestite kolikor je mogoče daleč od fluorescentnih in žarečih luči, tako da lahko jasno upravljate z daljinskim upravljalnikom.



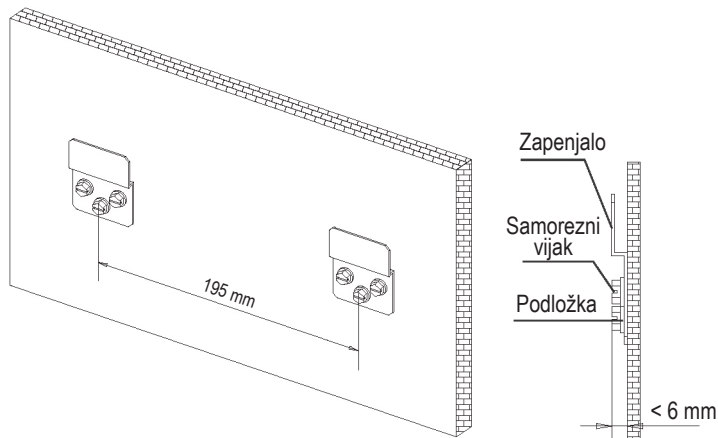
RAZPOLOŽLJIV PROSTOR ZA NOTRANJO ENOTO



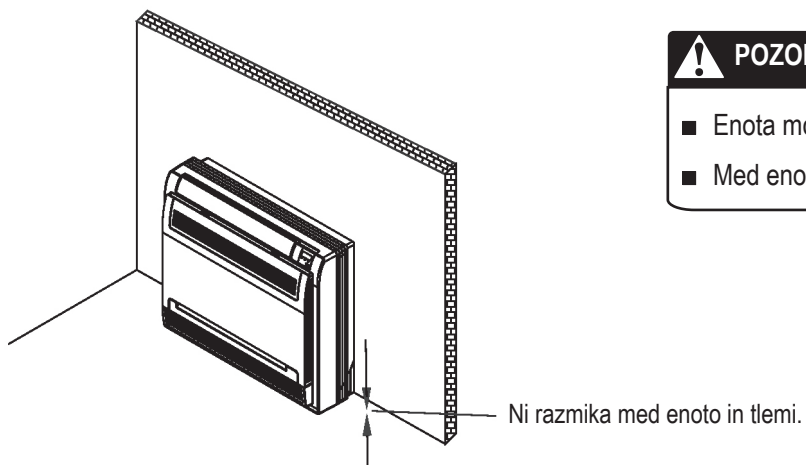
2. NAMESTITEV NOTRANJE ENOTE

2.2 NAMESTITEV NOTRANJE ENOTE

2.2.1 Zapenjalo pritrdite na steno s samoreznim vijakom.



2.2.1 Notranjo enoto obesite na zapenjalo.



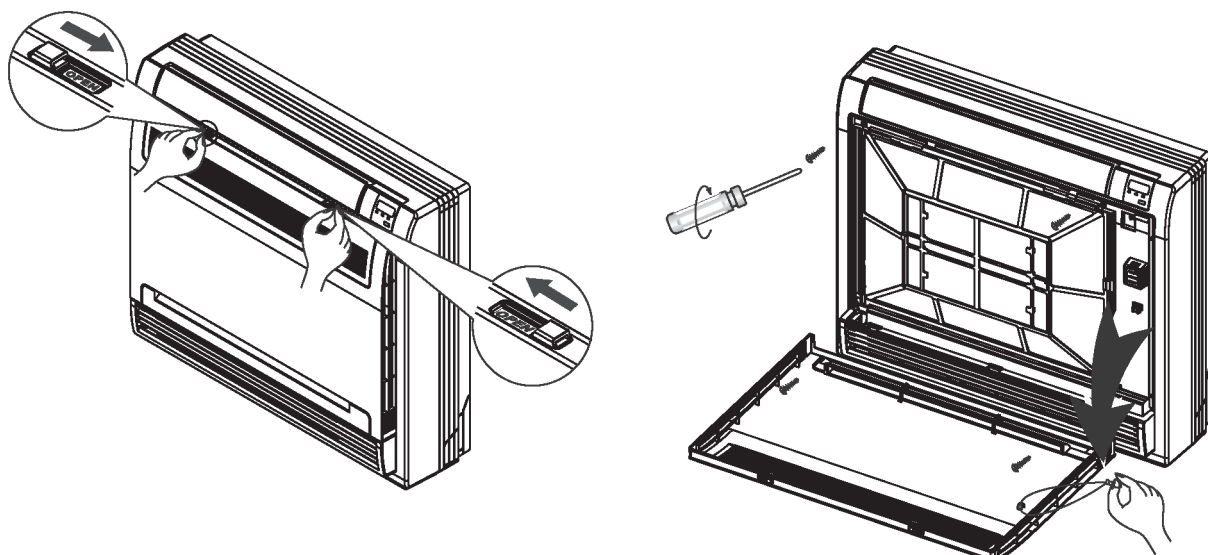
! POZOR

- Enota mora biti navpično nameščena.
- Med enoto in tlemi ne sme biti razmika.

2.3 KAKO PRIKLJUČITI CEVI IN VLEČNE ŽICE

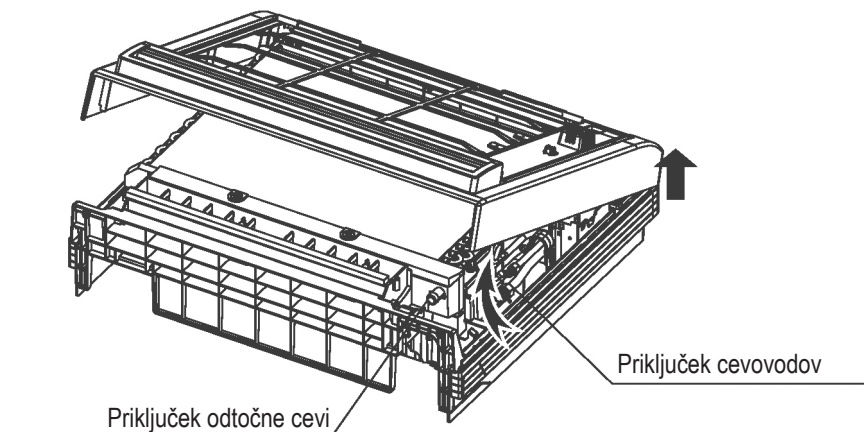
2.3.1 Pritisnite na obe stikali hkrati, nato odprite pomično ploščo.

2.3.2 Odstranite vrstico in snemite ploščo.

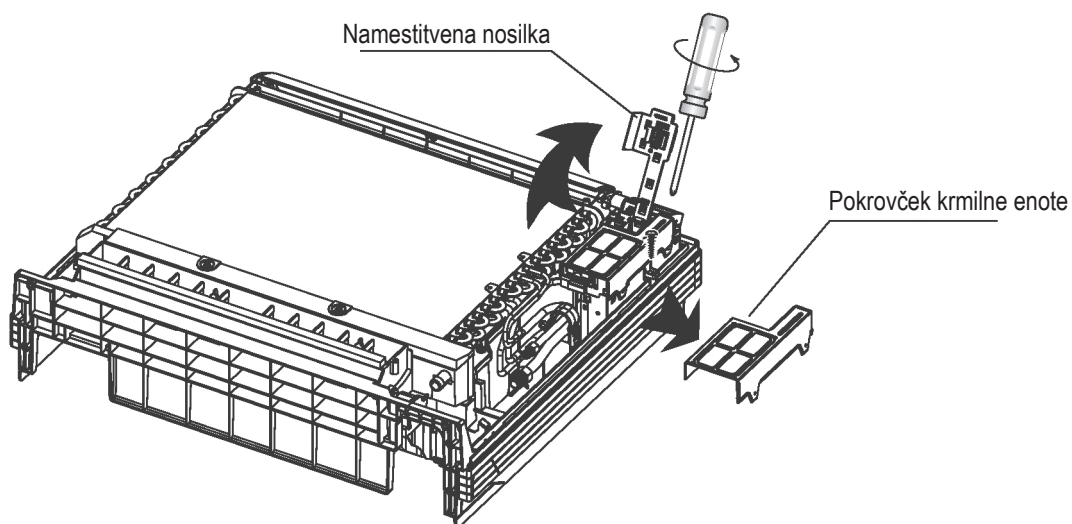


2. NAMESTITEV NOTRANJE ENOTE

2.3.3 Odstranite 4 vijake in nato iz spodnje strani odstranite okvir. Po tem ko odstranite okvir, lahko pregledate priključek cevodov in priključek odtočne cevi.

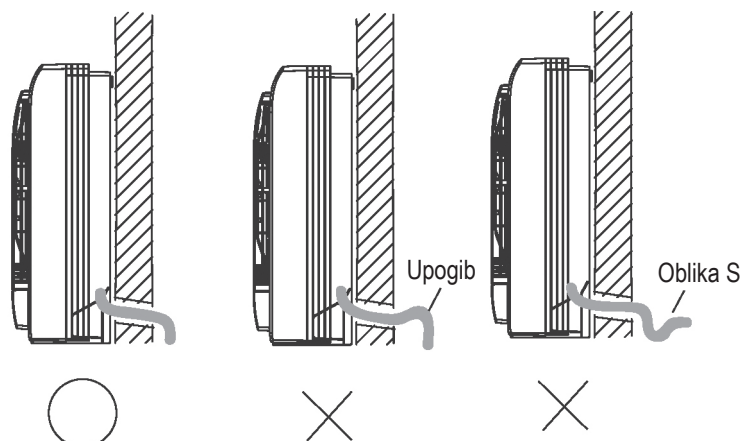


2.3.4 Odstranite namestitveno nosilko in snemite pokrovček krmilne enote. Pregledate lahko sponko napeljave.



2.4 NAMESTITEV ODTOČNE CEVI

Odtočni vod ne sme vsebovati zapore kjer koli po svoji dolžini; biti mora usmerjen navzdol in izoliran vse do zunanje stene.

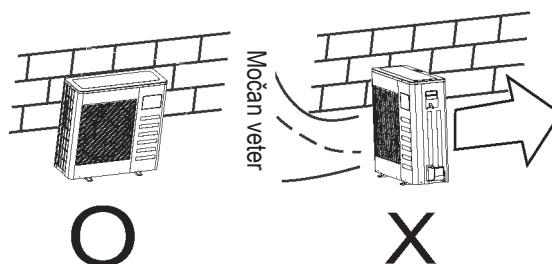


3. NAMESTITEV ZUNANJE ENOTE

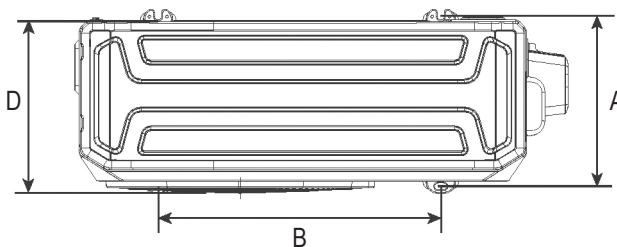
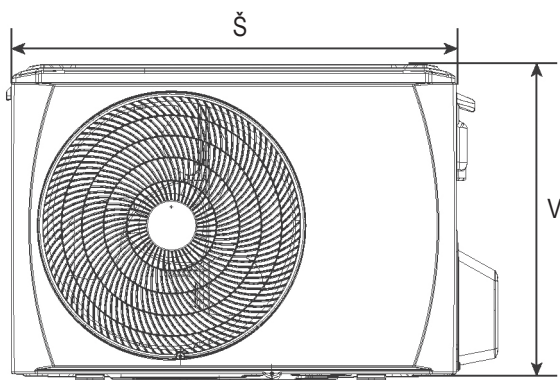
3.1 IZBIRA MESTA VGRADNJE

ZUNANJA ENOTA

- Kjer enota ni izpostavljena dežju in neposredni sončni svetlobi.
- Kjer je dobro prezračena in brez ovir v bližini vhoda in izhoda zraka.
- Kjer se ne povečuje raven hrupa delovanja ali tresljajev zunanje enote.
- Kjer ni drenažnih težav z odtekanjem vode.
- Pravilno namestite zunanjo enoto na mestu, ki lahko prenese težo zunanje enote.
- Kjer lahko zagotovite ustrezne zračne reže, kot je narisano.
- Kjer so cevi med notranjo in zunanjo enoto v okviru dovoljenih omejitev.
- V regijah s snežnimi padavinami in nizkimi temperaturami zunanje enote ne nameščajte na mesta, kjer bi jo lahko prekril sneg. Če se pričakuje velika količina zapadlega snega, je treba enoto pred snegom ali blokado vhodne ali izhodne odprtine za zrak zaščititi s streho za sneg/led in/ali vetrno loputo, ki si jih priskrbite sami.
- Ko nameščate zunanjo enoto na mestu, ki je stalno izpostavljeno močnemu vetru, je priporočljivo, da uporabite usmerjevalnik vetra.



3.2 DIMENZIJE ZA MONTAŽO ZUNANJE ENOTE

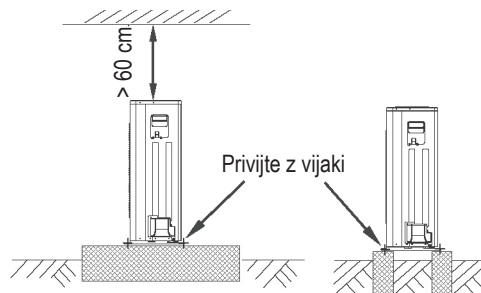
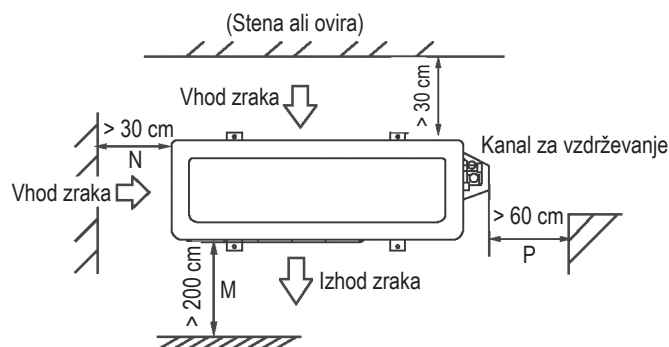


Model 38QUS	Zunanja dimenzija				
	Š	V	D	A	B
009	770	555	300	298	487
012/018	800	554	333	340	514

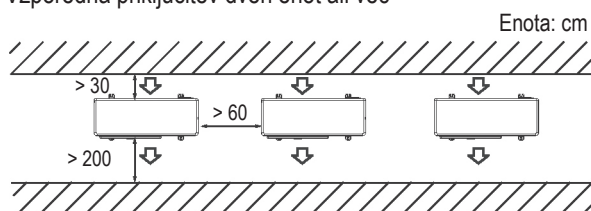
3. NAMESTITEV ZUNANJE ENOTE

3.3 RAZPOLOŽLJIV PROSTOR ZA ZUNANJO ENOTO

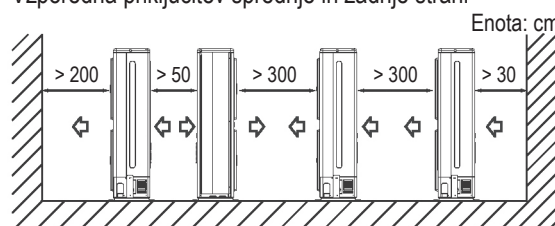
Namestitev ene enote



Vzporedna priključitev dveh enot ali več

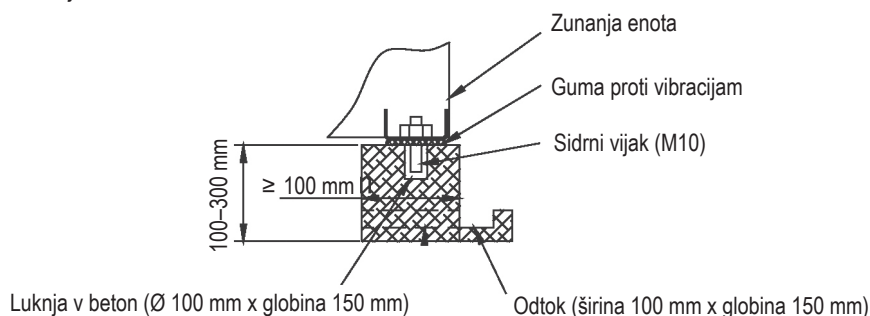


Vzporedna priključitev sprednje in zadnje strani



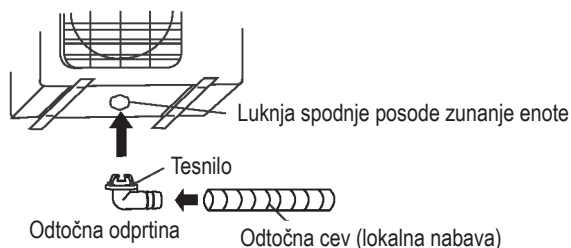
3.4 NAMESTITEV ZUNANJE ENOTE

- Pred namestitvijo preverite trdnost in horizontalnost osnove, tako da ne pride do ustvarjanja nenormalnih zvokov.
- Čvrsto pritrdite osnovo s sidrnimi vijaki (M10), da preprečite njeno zrušitev.
- Namestite gume za temelj in proti vibracijam tako, da neposredno podprete spodnjo površino pritrdilne noge, ki je v stiku s spodnjo ploščo zunanje enote.



3.5 NAMESTITEV ODTOČNE CEVI ZA ZUNANJO ENOTO

- Povežite odtočno odprtino s podaljškom odtočne cevi.
- Na odtočno odprtino namestite tesnilo.
- Odtočno odprtino vstavite v luknjo posode osnovne plošče zunanje enote ter jo zavrtite za 90 stopinj, tako da oba dela trdno povežete.



4. CEVI HLADILNEGA SREDSTVA

POZOR

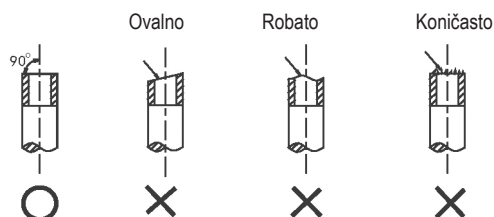
- Preverite, ali višinska razlika med notranjo in zunanjo enoto ter skupna dolžina cevi hladilnega sredstva izpolnjujeta sistemske zahteve.
- Delo s cevmi hladilnega sredstva sledi po namestitvi notranje in zunanje enote; najprej je treba priključiti cevi na notranji strani, nato na zunanji strani.
- Med namestitvijo imejte konce cevi vedno zatesnjene s prilepljenim pokrovčkom ali strehico in zaščitne NE odstranjujte, dokler niste pripravljeni povezati cevi.
- Prepričajte se, da izolirate vsako polje cevovoda vse do cevnega priključka v enoti. Vsak nezavarovan del cevi lahko povzroči kondenzacijo ali ob dotiku povzroči opekline.

4.1 RAZŠIRJANJE CEVI

OPOMBA

- Za razširjanje potrebujete rezalnik cevi, orodje in garnituro za razširjanje ter držalo za cevi.
- Pri modelih hladilnega sredstva R32 morajo biti cevne priključne točke nameščene izven prostora.

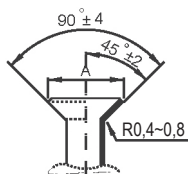
4.1.1 Z rezalnikom cevi odrežite cev na zahtevano dolžino. Zagotovite, da rob reza ostane pri 90° s stranjo cevi.



4.1.2 Uporabite pripomoček za razširjanje z rezalno površino navzdol, da odstranite iglice in okruški ne pridejo v cev.

4.1.3 Razširjanje izvedite z garnituro za razširjanje, kot je prikazano spodaj.

Zunanji premer	A (mm)	
	Maks.	Min.
Ø 6,35 mm	8,7	8,3
Ø 9,52 mm	12,4	12,0
Ø 12,7 mm	15,8	15,4
Ø 15,88 mm	19,0	18,6
Ø 19,05 mm	23,3	22,9

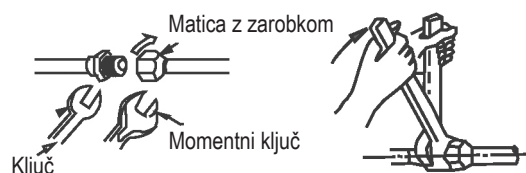


4.1.4 Preverite, ali je razširjanje cevi pravilno izvedeno. Glejte nepravilne vzorce razširjenih cevi spodaj.



4.2 DELO S CEVMI

4.2.1 Središče vijaka poravnajte z matico z zarobkom in ju trdno privijte z dvema ključema.



Velikost cevi	Moment
Ø 6,35 mm	18–20 Nm
Ø 9,52 mm	25–26 Nm
Ø 12,7 mm	35–36 Nm
Ø 15,88 mm	45–47 Nm
Ø 19,05 mm	65–67 Nm

4.2.2 Izberite ustrezen izolacijski material za cevi hladilnega sredstva. (Min. 10 mm, toplotna izolacijska pena C)

- Uporabite ločen toplotni izolacijski cevovod za cevi za plin in tekočino.
- Debelina, navedena zgoraj, je standardna za sobno temperaturo 27 °C in vlažnost 80 %. Če nameščate v neugodnih razmerah, na primer v bližini kopalnice, kuhinje in na drugih podobnih lokacijah, okrepite izolacijo.
- Temperatura toplotne odpornosti izolacije mora biti več kot 120 °C.
- Uporabite lepila na povezovalnem delu izolacije, da preprečite vdor vlage.
- Popravite in pokrijte morebitne razpoke v izolaciji, še posebej preverite upognjeni del ali obešalo cevi.

POZOR

- V primeru, da uporabite trdo spajkanje, delajte s pihanjem dušikovega plina.
- Nepravilni moment bo povzročil škodo pri razširjanju ali uhajanje plina.

4. CEVI HLADILNEGA SREDSTVA

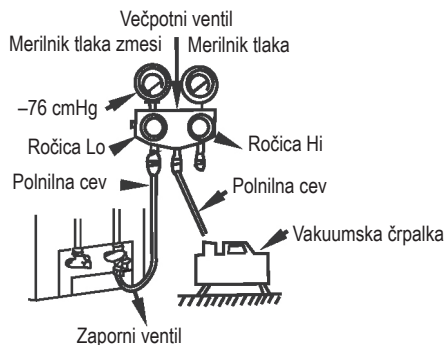
4.3 CEV HLADILNEGA SREDSTVA

Model 38QUS	Stran s tekočino	Stran s plinom	Dovoljena dolžina cevi (m)	Maks. razlika višine (m)	Dolžina s sredstvom (m)	Dodatno sredstvo na meter (R410A/R32)
009/012	Ø 6,35 mm	Ø 9,52 mm	25	10	5	15/12 g/m
018	Ø 6,35 mm	Ø 12,7 mm	30	20	5	15/12 g/m

OPOMBA: 1) Prosimo uporabite ustrezna orodja za sistema R410A/R32;
 2) Ko je dolžina cevi nad 5 m, je treba dodati dodatno hladilno sredstvo glede na dolžino cevi.

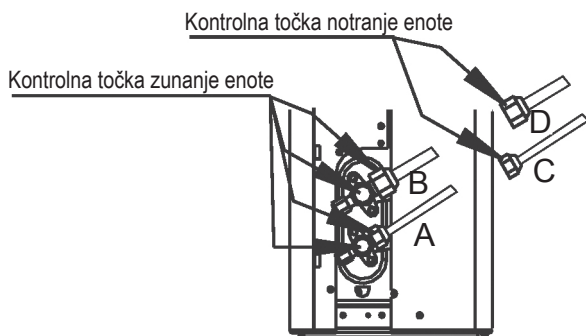
4.4 ODVAJANJE ZRAKA

- Polnilno cev iz večpotnega merilnika tlaka priklopite na servisno odprtino zapornega ventila na strani s plinom.
- Polnilno cev priklopite na priključek vakuumske črpalke.
- Popolnoma odprite ročaj Lo na večpotnem merilniku tlaka.
- Z vakuumsko črpalko odvedite zrak iz sistema, dokler ne dosežete vrednosti 76 cmHg.
- Zaprite ročaj Lo na večpotnem merilniku tlaka.
- Popolnoma odprite steblo ventila zapornih ventilov.
- Odstranite polnilno cev iz servisne odprtine.
- Trdno privijte kapice zapornega ventila.



4.5 PRESKUS TESNOSTI

Po končanem delu s cevmi preverite priključni del vsake cevi hladilnega sredstva in se prepričajte, da ne uhaja plin, tako da naredite preskus z milnico ali specifičnim detektorjem za tesnost za hladilna sredstva HFC. Glejte spodnjo skico.



- A: Nizkotlačni zaporni ventil
- B: Visokotlačni zaporni ventil
- C in D: Matici z zarobkom notranje enote

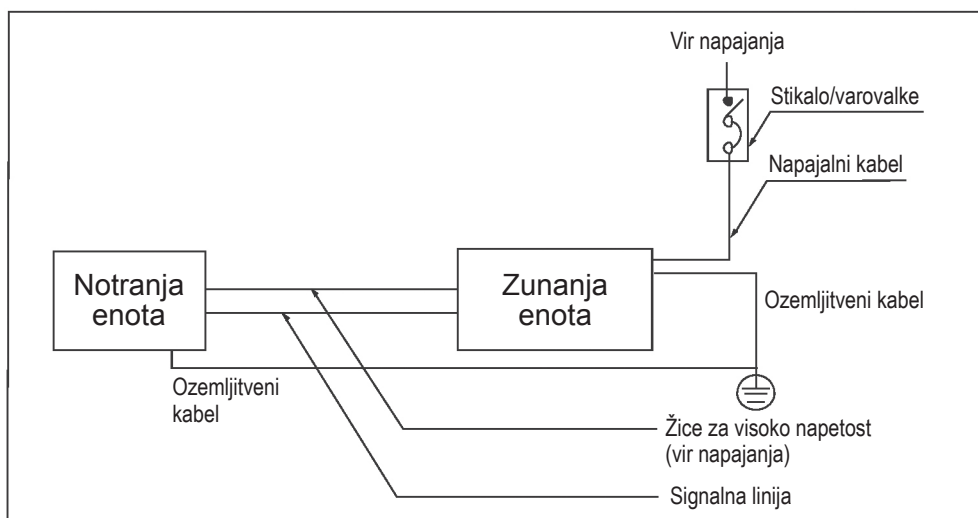
5. NAPELJAVA

POZOR

- Vse električne priključke morajo izvesti pooblašчени monterji in vse vlečne žice morajo biti povezane v skladu s shemo napeljave.
- Pred kakršnimi koli drugimi električnimi priključki naredite ozemljitveno povezavo.
- Vse vire napajanja je treba pred delom z napeljavo izklopiti in se jih ne sme vklopiti, dokler se ne prepričate, da so bile vse vlečne žice varnostno preverjene.
- Vgraditi je treba glavno stikalo in tokovno prekinjalo ali varovalko, pri čemer mora biti zmogljivost 1,5-krat višja od najvišjega toka v tokokrogu.
- Na razpolago morata biti samostojni vod in enojna vtičnica, ki se uporabljata samo za to napravo.
- Presek električne napeljave je odvisen od nazivnega toka ter državnih, regijskih in lokalnih predpisov na področju električne napeljave. Za posebne zahteve glejte lokalne gradbene predpise in nacionalno energetska zakonodajo.
- Če je napajalni kabel poškodovan, ga mora zamenjati proizvajalec, njegov pooblašчени serviser ali podobno usposobljena oseba, da bi se izognili nevarnosti.
- Enota mora biti priklopljena v električno omrežje s pomočjo odklopnega stikala ali stikala, ki ima na vseh polih med kontakti najmanj 3 mm razmaka. Priporočljiva je montaža naprave na diferenčni tok (RDC) z nazivnim diferenčnim tokom, ki ne presega 30 mA.

5.1 NAPAJANJE Z ZUNANJE STRANI

- Shema napeljave



- Napajanje in specifikacija priključnih vlečnih žic

Model(Btu/h)		9k	12k	18k
Napajanje	Faza	1-fazna	1-fazna	1-fazna
	Frekvenca in napetost	220-240V~ 50Hz	220-240V~ 50Hz	220-240V~ 50Hz
Nazivni tok		10A	10A	11A
Varovalka (zunanja nabava)		20A	20A	20A
Napajalni kabel (zunanja nabava)		H07RN-F; 3×2,5mm ²	H07RN-F; 3×2,5mm ²	H07RN-F; 3×2,5mm ²
Notranja/zunanja žična povezava (zunanja nabava)		H07RN-F; 4×1,5mm ²	H07RN-F; 4×1,5mm ²	H07RN-F; 4×2,5mm ²

TEHNIČNI PODATKI ZA VAROVALKO:

(relevantno za enote, ki uporabljajo samo hladilno sredstvo R32, in za keramično varovalko)

1. Specifikacija varovalke za notranjo enoto je T20A/250VAC (za enoto <24000Btu/h), T30A/250VAC (za enoto >24000Btu/h)
2. Specifikacija varovalke za notranjo enoto je T5A/250VAC, T10A/250VAC.

6. KONČNO PREVERJANJE IN PRESKUS DELOVANJA

6.1 SEZNAM ZA KONČNO PREVERJANJE

Pred preskusom delovanja preverite naslednje, da dokončate namestitve.

- Preverite trdnost mesta vgradnje notranje in zunanje strani ter se prepričajte, da ni zamašena reža za vhod in izhod zraka na ohišju.
- Preverite, ali je priključek cevi hladilnega sredstva dobro pritrjen in potrdite odsotnost uhajanja.
- Preverite, ali so električni kabelski priključki pravilno povezani in je enota ozemljena.
- Preverite skupno dolžino cevovoda in zabeležite prostornino dodatnega polnilnega hladilnega sredstva.
- Preverite, ali vir napajanja ustreza nazivni napetosti klimatske naprave.
- Preverite izolacijo cevi.
- Odtok

6.2 ROČNO UPRAVLJANJE

Ročno upravljanje aktivirate s pritiskom na tipko za ročno upravljanje na prikazovalniku.

Če želite spremeniti način delovanja, večkrat pritisnite tipko za ročno upravljanje:

- Enkrat = način AUTO (samodejno) [ogrevanje, hlajenje ali ventilator, 24 °C in samodejna hitrost ventilatorja]
- Dvakrat = način COOLING (hlajenje) [po 30 minutah delovanja preklopi v način AUTO (samodejno) (običajno se uporablja za namen preskusa delovanja)]
- Trikrat = OFF (izklop)

6.3 PRESKUS DELOVANJA

Klimatsko napravo nastavite v način COOLING (hlajenje) z daljinskim upravljalnikom (ali tipko za ročno upravljanje) in preverite status izvajanja obeh enot, zunanje in notranje. V primeru nepravilnega delovanja odpravite težavo v skladu s poglavjem »Odpravljanje težav« v »Navodilih za servisiranje«.

Notranja enota

- Ali tipke (ON/OFF, MODE, TEMPERATURE, FAN SPEED ipd.) na daljinskem upravljalniku ustrezno delujejo.
- Ali se prezračevalna loputa normalno premika.
- Ali je temperatura prostora pravilno nastavljena.
- Ali so kontrolne lučke na plošči zaslona normalne.
- Ali »ročna« tipka pravilno deluje.
- Ali odtok pravilno deluje.
- Ali med delovanjem naprave nastajajo tresljaji ali nenavaden hrup.
- Ali notranja enota ustrezno deluje v načinu COOLING (hlajenje) ali HEATING (ogrevanje).

Zunanja enota

- Ali med delovanjem naprave nastajajo tresljaji ali nenavaden hrup.
- Ali izpuhi, hrup ali kondenz iz klimatske naprave motijo okolico.
- Ali je med delovanjem prišlo do uhajanja hladilnega sredstva.



POZOR

- Ko enoto ponovno zaženete, bo za zagon potrebovala približno 3 minute, s čimer se zagotovi njena zaščita.

7. PODATKI O SERVISIRANJU

7.1 PREGLEDI

Pred kakršnikoli delom na sistemih z vnetljivimi hladilnimi sredstvi so nujni varnostni pregledi, ki zagotavljajo minimalno verjetnost vžiga. Pred popravilom sistema hladilnega sredstva morajo biti v skladu z opozorili izpolnjeni naslednji pogoji.

7.2 DELOVNI POSTOPEK

Dela se izvajajo v skladu z nadzorovanim postopkom, zato da zmanjšamo tveganje prisotnosti vnetljivega plina ali hlapov med samim delom.

7.3 DELOVNI PROSTOR

Vso vzdrževalno osebje in drugi delavci v bližini bodo obveščeni o izvajanem delu. Izogibajte se delu v zaprtih prostorih. Območje okoli delavnega prostora naj bo zavarovano. Z nadziranjem vnetljivega materiala zagotovite varnost na območju dela.

7.4 PREVERJANJE PRISOTNOSTI HLADILNEGA SREDSTVA

Tehnik mora biti seznanjen o morebitnem vnetljivem ozračju, zato je treba območje pred in med izvajanjem dela pregledati z detektorjem za hladilna sredstva. Zagotovite, da je oprema za preverjanje uhajanja primerna za uporabo z vnetljivimi hladilnimi sredstvi, na primer brez iskrenja, primerno zatesnjena in varna.

7.5 PRISOTNOST GASILNEGA APARATA

Ob izvajanju kakršnegakoli dela, ob katerem nastaja toplota ali vročina, mora biti v bližini primerna gasilna oprema. V bližini imejte gasilni aparat na prah ali CO₂.

7.6 BREZ VIROV VŽIGA

Noben izvajalec del, ki vključujejo delo na ceveh hladilnega sistema, ki vsebujejo ali so vsebovale vnetljivo hladilno sredstvo, ne sme uporabljati kakršnegakoli vira vžiga tako, da bi utegnil tvegati netenje požara ali eksplozijo. Vsi morebitni viri vžiga, vključujoč cigaretni dim, naj bodo na primerni razdalji od mesta namestitve, popravila in odstranjevanja, saj se med temi postopki lahko sprosti vnetljivo hladilno sredstvo. Pred opravljanjem kakršnegakoli dela naj bo območje okoli opreme dobro pregledano, če obstaja nevarnost vžiga. Na vidnih mestih naj bo znak »KAJENJE PREPOVEDANO«.

7.7 PREZRAČEVAN PROSTOR

Zagotovite, da je območje odprt prostor ali da je primerno prezračevano, preden pričnete z delom na sistemu ali delom, ob katerem nastaja toplota. Prezračevanje naj poteka tudi med izvajanjem dela. Prezračevanje varno razprši morebitno hladilno sredstvo in ga odstrani v ozračje.

7.8 PREGLEDI HLADILNE OPREME

Morebitni nadomestni električni deli morajo biti ustrezni in pravih specifikacij. Vedno upoštevajte proizvajalčeva navodila za vzdrževanje in servisiranje. Če ste v dvomih, se posvetujte s proizvajalčevim tehničnim oddelkom. Pri inštalacijah, ki uporabljajo vnetljiva hladilna sredstva, izvajajte naslednje preglede:

7. PODATKI O SERVISIRANJU

- moč naprave je v sorazmerju s površino prostora, v katerem so nameščeni deli hladilnega sredstva;
- ventilacijski sistem in odvodi delujejo brezhibno in so neovirani;
- če je uporabljen indirektni hladilni tokokrog, mora biti sekundarni tokokrog pregledan za prisotnost hladilnega sredstva; oznake opreme so še naprej vidne in veljavne;
- označbe, ki niso veljavne, morajo biti popravljene;
- cev hladilnega sredstva ali deli so nameščeni tako, da niso izpostavljeni rjavenju, razen če so deli iz materialov, ki so odporni pred rjavenju ali so primerno zaščiteni proti rji.

7.9 PREGLEDI ELEKTRIČNIH NAPRAV

Popravilo in vzdrževanje električnih delov vključuje začetne varnostne preglede in preglede delov. Če obstaja okvara, ki utegne ogroziti varnost, naprava ne sme biti priključena na električni tok, dokler okvare ne odpravite. Če okvare ni možno nemudoma odpraviti, a je to nujno za nadaljnje normalno delovanje, je treba najti začasno rešitev. V tem primeru je treba obvestiti lastnika opreme.

Začetni pregledi naj vključujejo:

- da so kondenzatorji odstranjeni: to naj bo opravljeno izredno previdno, da preprečite možnost iskrenja;
- da napajani električni deli in napeljave med polnjenjem, obnavljanjem ali odstranjevanjem sistema niso izpostavljeni;
- da je naprava ozemljena.

7.10 PREGLEDI ZATESNJENIH DELOV

- 10.1 Med popravilom zatesnjenih delov mora biti oprema, na kateri se izvajajo dela, odklopljena z vseh električnih tokov že pred odstranjevanjem pokrovov itd. Če je nujno potrebno, da je oprema priklopljena na električni tok, mora biti na najbolj kritični točki nameščen detektor uhajanja, da se prepreči tveganje.
- 10.2 Posebno pozornost posvečajte naslednjim ukrepom, da zagotovite varno popravilo električnih delov, brez poškodb opreme. To vključuje poškodbe kablov, preveč električnih povezav, neustrezne priključke, poškodbe tesnil, neprilegajoče se dele itd.
- Zagotovite, da je naprava varno nameščena.
 - Zagotovite, da tesnila niso preperela v tolikšni meri, da več ne služijo svojemu namenu preprečevanja vstopa vnetljivega ozračja. Rezervni deli morajo biti skladni s specifikacijami proizvajalca.

OPOMBA: Uporaba silikonskega tesnila lahko oslabi učinek nekaterih tipov opreme detektorjev uhajanja. Varnih delov pred delom ni treba izolirati.

7.11 POPRAVILO VARNIH DELOV

Toku ne dovajajte dodatnih obremenitev, brez da se prepričate, da to ne bo preseгло dovoljene napetosti toka za opremo v uporabi. Varni deli so edine komponente, na katerih lahko izvajamo dela tudi v vnetljivem ozračju. Testna naprava mora biti v pravilnem nazivnem toku. Dele nadomestite z rezervnimi deli, ki so določeni s strani proizvajalca. Namestitev drugih delov lahko privede do vžiga hladilnega sredstva zaradi uhajanja.

7. PODATKI O SERVISIRANJU

7.12 KABLI

Poskrbite, da kabli ne bodo izpostavljeni poškodbam, rjavenju, prekomernemu pritisku, vibracijam, ostrim robovom ali katerikoli drugim vplivom okolja. Pri pregledu se morajo upoštevati vplivi staranja ali nenehnih vibracij, ki izvirajo iz kompresorjev ali ventilatorjev.

7.13 DETEKCIJA VNETHJIVIH HLADILNIH SREDSTEV

Za detekcijo uhajanja hladilnih sredstev v nobenem primeru ni dovoljeno uporabiti morebitnih virov vžiga. Halidna bakla (ali katerikoli drug detektor z odprtim plamenom) se ne sme uporabljati.

7.14 METODE DETEKCIJE UHAJANJA

Naslednje metode detekcije uhajanja so sprejemljive za sisteme, ki vsebujejo vnetljiva hladilna sredstva. Elektronski detektorji uhajanja naj se uporabljajo za detekcijo vnetljivih hladilnih sredstev, a občutljivost morda ne bo primerna ali pa bo potrebovala ponovno umerjanje. (Detekcijska oprema naj bo ponovno umerjena v območju brez hladilnih sredstev.) Zagotovite, da detektor ni morebiten vir vžiga in je primeren za hladilno sredstvo. Detekcijska oprema naj bo nastavljena na odstotek LFL-ja v hladilnem sredstvu in na hladilno sredstvo, ki je predmet detekcije, ter odstotek plina (največ 25 %) potrjen. Tekočine za detekcijo uhajanja so primerne za večino hladilnih sredstev, a se izogibajte detergentom, ki vsebujejo klor, saj lahko ta reagira ob stiku s hladilno tekočino in povzroči rjavenje cevi. Če obstaja sum uhajanja, odstranite ali ugasnite vse vire odprtega ognja. Če najdeno hladilno sredstvo zahteva spajkanje, ga iz sistema popolnoma odstranite ali izolirajte (zaprite ventile) v del sistema, ki je oddaljen od kraja uhajanja. Pred in med spajkanjem v sistem dozirajte plin OFN.

7.15 ODSTRANITEV IN IZČRPVANJE

Pri delu na tokokrogu hladilnega sredstva veljajo primerni postopki, kljub temu pa je najbolje, če zaradi vnetljivega okolja upoštevate le najboljše prakse. Držite se naslednjih postopkov:

- odstranite hladilno sredstvo;
- izpraznite sistem z inertnim plinom;
- izčrpajte;
- znova izpraznite sistem z inertnim plinom;
- odprite tokokrog z rezanjem ali spajkanjem.

Napolnite hladilno tekočino v primerne valje. Sistem izperite s plinom OFN, da se prepričate, da je enota varna. Ta postopek bo morda treba večkrat ponoviti.

Za to delo ne uporabljajte stisnjenega zraka ali kisika.

Izpiranje bo učinkovito ob izničenju vakuuma v sistemu s plinom OFN, ki naj napolni sistem, dokler ne dosežete delovnega tlaka, nato prezračite v ozračje in končno s potegom navzdol znova dosežete vakuum.

Ta postopek se ponovi, vse dokler v sistemu ni več hladilnega sredstva.

Ko uporabite zadnje polnjenje s plinom OFN, prezračite sistem na tlak atmosfere, da lahko začnete z delom.

Ta postopek je nujen, če bomo na cevovodu izvajali spajkalna dela. Zagotovite, da je odvod vakuumske črpalke daleč od morebitnih virov vžiga in da je na voljo prezračevanje.

7. PODATKI O SERVISIRANJU

7.16 POSTOPEK POLNJENJA

Kot dodatek k običajnim postopkom polnjenja upoštevajte naslednje zahteve:

- Zagotovite, da ob uporabi opreme za polnjenje ne pride do kontaminacije z drugimi hladilnimi sredstvi. Cevi in kabli naj bodo čim krajši, da se v njih nabere kar najmanj hladilnega sredstva.
- Valji naj bodo v pokončni legi.
- Poskrbite, da je hladilni sistem ozemljen, preden ga napolnite s hladilnim sredstvom.
- Označite sistem, ko je polnjenje končano (če še ni označen).
- Bodite izjemno pazljivi, da sistema ne prenapolnite.
- Pred ponovnim polnjenem preizkusite tlak s plinom OFN. Sistem naj bo po koncu polnjenja, a pred začetkom obratovanja, pregledan za morebitno uhajanje. Preskus uhajanja pred začetkom obratovanja

7.17 IZLOČITEV IZ UPORABE

Pred nadaljevanjem postopka je pomembno, da je tehnik popolnoma seznanjen z opremo in podrobnostmi. Dobra praksa priporoča, da vsa hladilna sredstva izrabimo varno. Pred začetkom del pridobimo vzorec olja in hladilnega sredstva.

V primeru, da je pred ponovno uporabo pridobljenega hladilnega sredstva potrebna analiza. Pred začetkom del je nujno potrebna električna razpoložljivost.

- a) Spoznajte opremo in njeno delovanje.
- b) Sistem električno izolirajte.
- c) Pred začetkom postopka zagotovite, da je:
 - mogoče mehansko rokovanje z opremo, če je potrebno, za rokovanje z valji hladilnega sredstva;
 - vsa zaščitna oprema razpoložljiva in pravilno uporabljena;
 - obnovitveni postopek vseskozi nadzorovan s strani pooblaščenih oseb;
 - oprema, vključno z valji v skladu s standardi.
- d) Izčrpajte hladilni sistem, če je možno.
- e) Če vakuum ni mogoč, naredite zbiralnik, da lahko odstranite hladilno sredstvo iz več delov sistema.
- f) Prepričajte se, da je pred postopkom valj na višini.
- g) Vklopite napravo za izvlek in jo upravljajte v skladu z navodili proizvajalca.
- h) Ne prenapolnite valjev. (Ne več kot 80 % prostornine zapolnjene s tekočino).
- i) Ne prekoračite maksimalnega delovnega tlaka valja, niti začasno.
- j) Ko so valji primerno napolnjeni in je postopek končan, se prepričajte, da so valji in oprema odstranjeni kar najhitreje in da so vsi izolacijski ventili na opremi zaprti.
- k) Izčrpanega hladilnega sredstva ni dovoljeno znova uporabiti v drugem hladilnem sistemu, razen če je bilo očiščeno in pregledano.

7.18 OZNAČEVANJE

Oprema mora biti označena kot izločena iz uporabe in izpraznjena hladilnega sredstva. Oznaka mora biti opremljena z datumom in podpisom. Zagotovite, da so na opremi oznake, ki obveščajo, da oprema vsebuje vnetljiva hladilna sredstva.

7. PODATKI O SERVISIRANJU

7.19 IZČRPAVANJE

- Ob izčrpanju hladilnega sredstva iz sistema, za potrebe servisiranja ali izločanja iz uporabe, dobra praksa nalaga, da so vsa hladilna sredstva odstranjena varno.
- Ob prenosu hladilnega sredstva v valje zagotovite, da delujejo samo za hladilno sredstvo primerni valji. Zagotovite, da je razpoložljivo zadostno število valjev za zadržanje hladilnega sredstva. Vsi uporabljeni valji so primerni za izčrpano hladilno sredstvo in označeni za to isto hladilno sredstvo (npr. posebni valji za izčrpano hladilno sredstvo). Valji morajo biti popolni z delujočimi omejitvenimi ventili in prilegajočimi zapornimi ventili.
- Prazni valji so izčrpani in, če je mogoče, ohlajeni pred obnovitvenim postopkom.
- Oprema mora biti brezhibno delujoča s priloženimi navodili in primerna za izčrpanje hladilnega sredstva. Priložena je tudi brezhibno delujoča tehnica.
- Cevi bodo popolne z delujočimi posameznimi zatesnjenimi spojkami. Pred uporabo naprave za izčrpanje preverite, da je v zadovoljivem delovnem stanju, primerno vzdrževana in da so vsi električni deli zatesnjeni in tako onemogočajo vžig v primeru uhajanja hladilnega sredstva. Če ste v dvomih, se posvetujte s proizvajalcem.
- Izčrpano hladilno sredstvo bo vrnjeno dobavitelju v primernem valju za izčrpanje in s primerno izpolnjenim obrazcem WTN. Ne mešajte hladilnih sredstev v enotah za izčrpanje, še posebej ne v valjih.
- Če odstranjujete kompresorje ali kompresorsko olje, se prepričajte, da so bili izčrpani do zadostne ravni, in tako zagotovite, da vnetljivo hladilno sredstvo ne pride v stik z mazivom. Postopek izčrpanja mora biti končan, preden vrnete kompresor dobavitelju. Postopek lahko pospešite samo z električnim gretjem ogrodja kompresorja. Ko iz sistema izpuščate olje, počnite to previdno.

7.20 TRANSPORT, OZNAČEVANJE IN SHRANJEVANJE ENOT

1. Transport opreme z vnetljivimi hladilnimi sredstvi
V skladu s transportnimi predpisi
2. Znakovno označevanje opreme
V skladu z lokalnimi predpisi
3. Odstranjevanje opreme z vnetljivimi hladilnimi sredstvi
V skladu z nacionalnimi predpisi
4. Shranjevanje opreme/naprav
Shranjevanje opreme mora biti v skladu z navodili proizvajalca.
5. Shranjevanje zapakirane (neprodane) opreme
Zaščita embalaže mora biti zasnovana tako, da mehanska poškodba opreme znotraj embalaže ne povzroči uhajanja hladilnega sredstva.
Maksimalno dovoljeno število kosov opreme, ki so lahko shranjeni skupaj, določajo lokalni predpisi.

Ky produkt është përcaktuar që të jetë në përputhje me direktivën për tensionin e ulët (2014/35/KE) dhe direktivën për pajtueshmërinë elektromagnetike (2014/30/KE) të Bashkimit Evropian.



Hedhja e saktë e këtij produkti (Pajisja elektrike dhe elektronike e dalë jashtë përdorimit)

(Kur e përdorni kondicionerin në shtetet evropiane, duhet të ndiqen udhëzimet e mëposhtme)

- Ky shënim mbi produkt ose literaturën e tij tregon se mbetja e pajisjes elektrike dhe elektronike (WEEE si në direktivën 2012/19/EU) nuk duhet të ngatërrohet me mbetjet e zakonshme shtëpiake.

Ndalohet hedhja e kësaj pajisjeje në mbetjet shtëpiake.

Për hedhjen e pajisjes ekzistojnë disa mundësi:

1. Bashkia ka ngritur sisteme grumbullimi ku mund të hidhen mbetjet elektronike, minimalisht pa asnjë detyrim për përdoruesin.
2. Kur blini një produkt të ri, shitësi do ta rimarrë produktin e vjetër, minimalisht pa asnjë detyrim.
3. Prodhuesi do ta rimarrë pajisjen e vjetër për hedhje, minimalisht pa asnjë detyrim për përdoruesin.
4. Meqenëse produktet e vjetra përmbajnë burime me vlerë, ato mund t'u shiten shitësve të skrapit.

Hedhja e shkujdesur e mbetjeve në pyje dhe në natyrë rrezikon shëndetin tuaj kur substancat e rrezikshme rrjedhin në ujërat nëntokësorë dhe hyjnë në zinxhirin ushqimor.

Ky produkt përmban gaze të fluorizuara që mbuloen nga Protokollin e Kioto-s

Emri kimik i gazit

R410A / R32

Potenciali i ngrohjes globale (GWP) të gazit

2088 / 675

KUJDES

1. Ngjitni etiketën e agjentit ftohës që gjendet brenda paketimit në afërsi të vendit të ngarkimit dhe/ose të rikuperimit.
2. Shkruani qartë dhe me bojë që nuk fshihet sasinë e ngarkuar të agjentit ftohës në etiketën e tij.
3. Parandaloni shkarkimin e gazit të fluorizuar që përmban pajisja. Sigurohuni që gazi i fluorizuar të mos shkarkohet kurrë në atmosferë gjatë instalimit, riparimit ose hedhjes së pajisjes. Kur zbulohet rrjedhje e gazit të fluorizuar që përmban pajisja, ajo duhet të ndërpritet e të riparohet sa më shpejt që të jetë e mundur.
4. Vetëm personeli i kualifikuar i riparimit lejohet ta hapë dhe ta riparojë këtë produkt.
5. Çdo trajtim i gazit të fluorizuar në këtë produkt, si p.sh. gjatë zhvendosjes së produktit ose furnizimit me gaz, duhet të kryhet në përputhje me Rregulloren nr. 517/2014 (KE) për disa gaze serrë të fluorizuar dhe me legjislacionin e brendshëm përkatës.
6. Për çfarëdolloj pyetjeje, kontaktoni me shitësit, instaluesit etj.

Njësia e brendshme	Madhësia (IDU)	Njësia e jashtme	Madhësia (ODU)	Tensioni dhe frekuenca nominale
42QZA009DS*	700x600x210	38QUS009DS*	770x300x555	
42QZA012DS*	700x600x210	38QUS012DS*	800x333x554	220-240 V ~ 50 Hz
42QZA012D8S*	700x600x210	38QUS012D8S*	800x333x554	
42QZA018DS*	700x600x210	38QUS018DS*	800x333x554	

Prodhuesi rezervon të drejtën e ndryshimit të specifikimeve të produktit pa njoftim.

TABELA E PËRMBAJTJES

1. PËRGATITJA PËR INSTALIM	3
1.1 Masat paraprake të sigurisë	3
1.2 Pjesët shtesë	4
2. INSTALIMI I NJËSISË SË BRENDSHME	6
2.1 Zgjedhja e vendit të instalimit	6
2.2 Instalimi i njësisë së jashtme	7
2.3 Mënyra e lidhjes së tubave dhe telave	7
2.4 Instalimi i tubit të shkarkimit	8
3. INSTALIMI I NJËSISË SË JASHTME	9
3.1 Zgjedhja e vendit të instalimit	9
3.2 Madhësia e bazamentit të njësisë së jashtme	9
3.3 Kërkesat lidhur me hapësirën për njësinë e jashtme	10
3.4 Instalimi i njësisë së jashtme	10
3.5 Instalimi i tubit të shkarkimit për njësinë e jashtme	10
4. INSTALIMI I TUBAVE FTOHËS	11
4.1 Zgjerimi i tubave	11
4.2 Instalimi i tubave	11
4.3 Tubi ftohës	12
4.4 Nxjerrja e ajrit	12
4.5 Testi për praninë e rrjedhjeve	12
5. INSTALIMET ELEKTRIKE	13
6. KONTROLI PËRFUNDIMTAR DHE KRYERJA E PROVËS	14
6.1 Lista e kontrollit përfundimtar	14
6.2 Përdorimi manual	14
6.3 Kryerja e provës	14
7. SHËRBIMI I INFORMIMIT	15



Kujdes: Rrezik zjarri vetëm
për gazin ftohës R32/R290

1. PËRGATITJA PËR INSTALIM

1.1 MASAT PARAPRAKE TË SIGURISË

- Instalimi, ndezja dhe shërbimet e riparimit të pajisjes mund të jenë të rrezikshme për shkak të presioneve të sistemit, pjesëve elektrike dhe vendndodhjes së pajisjes (çati, struktura të ngritura etj.).
- Kjo pajisje duhet të instalohet, ndizet dhe riparohet vetëm nga montuesit dhe mekanikët e trajnuar e të kualifikuar të shërbimit.
- Gjatë punës në pajisje, zbatoni masat paraprake në dokumentet e produktit, si dhe në shënimet, afishet dhe etiketat e ngjitura në pajisje.
- Zbatoni të gjitha kodet e sigurisë. Mbani syze mbrojtëse dhe doreza pune. Gjatë kallajisjes, mbani pranë vetes një leckë për fikjen e zjarrit dhe fikës zjarri. Bëni kujdes gjatë mbajtjes, ngritjes dhe vendosjes së pajisjeve të rënda.
- Lexoni të gjitha këto udhëzime dhe ndiqni të gjitha paralajmërimet ose njoftimet e përfshira në dokumentet e njësisë dhe ato të bashkëngjitura te njësia. Për kërkesa të posaçme, shikoni kodet vendore të ndërtimit dhe Kodin Kombëtar Elektrik.

PARALAJMËRIM

Ky simbol tregon mundësinë e lëndimit ose të humbjes së jetës së personelit.

- **Gazi ftohës është më i rëndë se ajri dhe zëvendëson oksigjenin. Rrjedhja masive mund të shkaktojë pakësimin e oksigjenit, veçanërisht në bodrume, dhe mund të ketë rrezik asfiksie, duke rezultuar në lëndim të rëndë ose vdekje.**
- **Kur kondicioneri instalohet në një dhomë të vogël, merrni masat e duhura për t'u siguruar që përqendrimi i agjentit ftohës që rrjedh në dhomë nuk e kalon nivelin kritik.**
- **Nëse ka rrjedhje të gazit ftohës gjatë instalimit, ajrosni menjëherë zonën.**
Gazi ftohës mund të prodhojë gaz toksik nëse bie në kontakt me zjarr të shkaktuar p.sh. nga ngrohësi i ventilatorit, furra ose pajisja e gatimit.
Ekspozimi në një gaz të tillë mund të shkaktojë lëndim të rëndë ose vdekje.
- **Shkëputeni nga burimi i energjisë përpara se të provoni të kryeni punë elektrike. Lidhni mirë kabllon bashkuese.**
Lidhja e gabuar mund shkaktojë dëmtimin e pjesëve elektrike.
- **Përdorni kabllot e specifikuar për lidhjet elektrike dhe lidhni mirë ato në seksionet lidhëse të bllokut terminal, në mënyrë që forca e jashtme të mos ushtrohet në terminal.**
- **Sigurohuni që të ketë tokëzim.**
Mos i tokëzoni njësitë në tuba gazi, tuba uji, rufepritës ose tela telefoni. Tokëzimi i paplotë mund të shkaktojë rrezik goditjesh të rënda, duke rezultuar në lëndim ose vdekje.
- **Hidhni materialet ambalazhuese në mënyrë të sigurt.**
Materialet ambalazhuese, të tilla si gozhdët dhe pjesët e tjera metalike ose prej druri mund të shkaktojnë plagosje ose lëndime të tjera. Grisini dhe hidhni qeset plastike të ambalazhit në mënyrë që fëmijët të mos luajnë me to.
Fëmijët që luajnë me qeset plastike rrezikojnë të asfiksohen.
- **Mos e instaloni njësinë pranë përqendrimeve të avujve të gazit ose të gazit të djegshëm.**
- **Sigurohuni që të përdorni pjesët e instalimit që dhëna me pajisjen ose të specifikuar saktë.**
Përdorimi i pjesëve të tjera mund të shkaktojë lirim të njësisë, rrjedhje uji, goditje elektrike, zjarr ose dëmtim të pajisjes.
- **Gjatë instalimit ose zhvendosjes së sistemit, mos lejoni futjen e ajrit ose të substancave të ndryshme nga agjenti ftohës i specifikuar (R410A/R32) në ciklin e ftohjes.**
- **Mos e modifikoni kurrë këtë njësi pa hequr mbrojtëset e sigurisë ose duke anashkaluar ndonjë prej çelësave bllokues të sigurisë.**
- **Instalimet elektrike duhet të kryhen në përputhje me manualin e instalimit dhe kodet vendase, shtetërore dhe lokale të instalimeve elektrike.**
- **Sigurohuni të përdorni qark elektrik të posaçëm. Mos vendosni asnjëherë njëkohësisht pajisje të tjera në të njëjtën prizë.**

1. PËRGATITJA PËR INSTALIM

⚠ PARALAJMËRIM

- Për të shmangur rreziqet që mund të shkaktohen nga rivendosja e shkujdesur e siguresës termike, pajisja nuk duhet të ushqehet me energji nëpërmjet një pajisjeje të jashtme takim-stakimi, si p.sh. kohëmatës ose të lidhet me një qark që ndizet dhe fiket rregullisht nga ndërmarrja.
- Përdorni kabllot e përshkruara për lidhjen elektrike me izolim të mbrojtur nga mbështjellësja izoluese, e cila ka diapazonin e duhur të temperaturës.
Kabllot e papërshtatshme mund të shkaktojnë rrjedhje elektrike, prodhim jonormal të nxehtësisë ose zjarr.
SHËNIM: Informacionet e mëposhtme janë të nevojshme për pajisjet që përdorin gaz ftohës R32/R290.
- Pajisja do të ruhet në një dhomë pa burime ndezjeje që janë vazhdimisht në punë. (për shembull: flakë të ndezura dhe pajisje me gaz ose një ngrohëse elektrike në punë).
- Mos e shponi ose digjni.
- Bëni kujdes se gazrat ftohës mund të mos kenë erë.
- Duhet pasur parasysh rregullat vendase për gazin.
- Një paralajmërim se pajisja duhet të mbahet në një vend të ajrosur mirë kur madhësia e dhomës përket me madhësinë e specifikuar të dhomës.
- Pajisja duhet të instalohet, përdoret dhe ruhet në një dhomë me sipërfaqe dyshemeje më të madhe se $X \text{ m}^2$, instalimi i tubacioneve duhet të mbahet në një minimum prej $X \text{ m}^2$ (Ju lutem shikoni formularin e mëposhtëm).
- Pajisja nuk duhet të instalohet në një hapësirë të paajrosur nëse ajo hapësirë është më pak se $X \text{ m}^2$ (Ju lutem shikoni formularin e mëposhtëm). Hapësirat ku do të ndodhen tubat e gazit ftohës duhet të jenë në përputhje me rregullat kombëtare për gazin.

Modeli (Btu/h)	Sasia e gazit ftohës që duhet mbushur (kg)	lartësia maksimale e instalimit (m)	Sipërfaqja minimale e dhomës (m ²)
≤30000	≤2,048	1,8m	4
		0,6m	35
30000-48000	2,048-3,0	1,8m	8
		0,6m	80
>48000	>3,0	1,8m	9
		0,6m	80

Shënim për gazrat e fluorinuar

- Kjo pajisje e kondicionimit të ajrit përmban gazra të fluorinuar. Për informacione specifike mbi llojin dhe sasinë e gazit, ju lutem shikoni etiketën përkatëse mbi vetë pajisjen.
- Instalimi, shërbimi, mirëmbajtja dhe riparimi i kësaj pajisjeje duhet të bëhet nga një teknik i certifikuar.
- Instalimi i produktit dhe riciklimi duhet të bëhet nga një teknik i certifikuar.
- Nëse sistemi ka të instaluar një sistem për gjetjen e rrjedhjeve, duhet të kontrollohet për rrjedhje të paktën çdo 12 muaj.
- Kur pajisja kontrollohet për rrjedhje, rekomandohet fort të mbahet regjistrim i mirë i të gjitha kontrolleve.

1. PËRGATITJA PËR INSTALIM






KUJDES

Ky simbol tregon mundësinë e dëmtimit të pronës ose të pasojave të rënda.

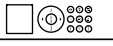



- Për të shmangur lëndimin personal, bëni kujdes kur kapni pjesët me skaje të mprehta.
- Mos e instaloni njësinë e brendshme ose të jashtme në vende me kushte mjedisore të veçanta.
- Mos e instaloni në një vend që mund të rrisë nivelin e zhurmës së njësisë ose ku zhurma dhe ajri që del mund të shqetësojë fqinjët.
- Instaloni mirë sistemin e shkarkimit/tubat në përputhje me manualin e instalimit.
Tubat e papërshtatshëm të shkarkimit mund të shkaktojnë rrjedhje uji dhe dëmtim të pronës.
- Mos e instaloni kondicionerin në vendet e mëposhtme.
 - Në vendet ku ka vajguri ose acid arseniku.
 - Në vendet ku mund të grumbullohet ose mbliidhet gaz gërryes (si p.sh. gazi i acidit sulfurik) ose gaz i djegshëm (si p.sh. hollues) ose ku trajtohen substancat e djegshme që avullojnë.
 - Në vendet ku ka pajisje që krijojnë fusha elektromagnetike ose harmonizim të frekuencave të larta.

1.2 PJESËT SHITESË

Njësia vjen me aksesoret e dhënë në vijim. Lloji dhe sasia e tyre mund të ndryshojë në varësi të specifikimeve.

Emri i aksesorëve	Sasia (copë)	Forma	Përdorimi
Manuali	3		<Manuali i instalimit>, <Manuali i përdorimit>, <Manuali i telekomandës> (ose <Manuali i telekomandës me kablo>)
Guarnicioni	1		Izoloni daljen e shkarkimit për njësinë e jashtme.
Tubi i shkarkimit	1		Lidhni zorrën e shkarkimit për njësinë e jashtme.
Filtri shtrëngues	1		Për të qenë në përputhje me standardet EMC (të përdorura për telat lidhës të brendshëm/ të jashtëm)
Kanxha	2		Për instalim

Pajisjet shtesë në vijim janë për telekomandën.

Emri i aksesorëve	Sasia (copë)	Forma	Përdorimi
Telekomanda	1		Për komandimin e kondicionerit nga distanca
Mbajtësja e telekomandës	1		Për ta mbajtur telekomandën në mur
Vida druri	2		Për të fiksuar mbajtësen e telekomandës
Bateria	2		Për telekomandën

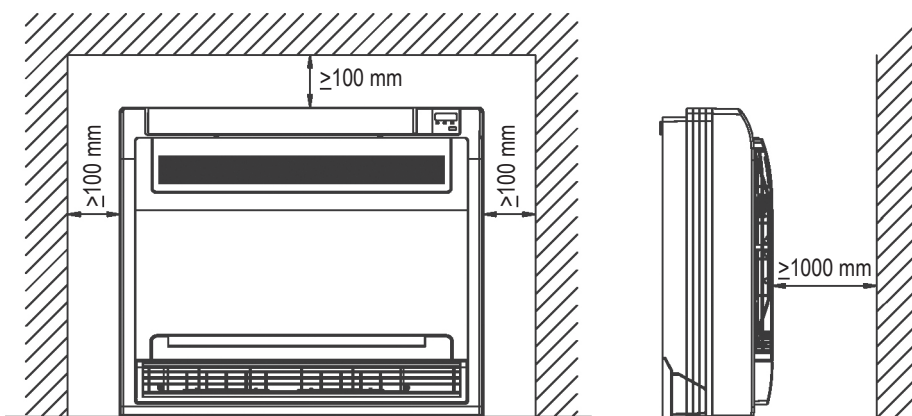
Shënim: Pajisjet shtesë që lidhen me telekomandën nuk disponohen për modelet me telekomandë me kablo. Për pajisjet shtesë të telekomandës me kablo, drejtojeni manualit të telekomandës me kablo bashkëngjitur.

2. INSTALIMI I NJËSISË SË BRENDSHME

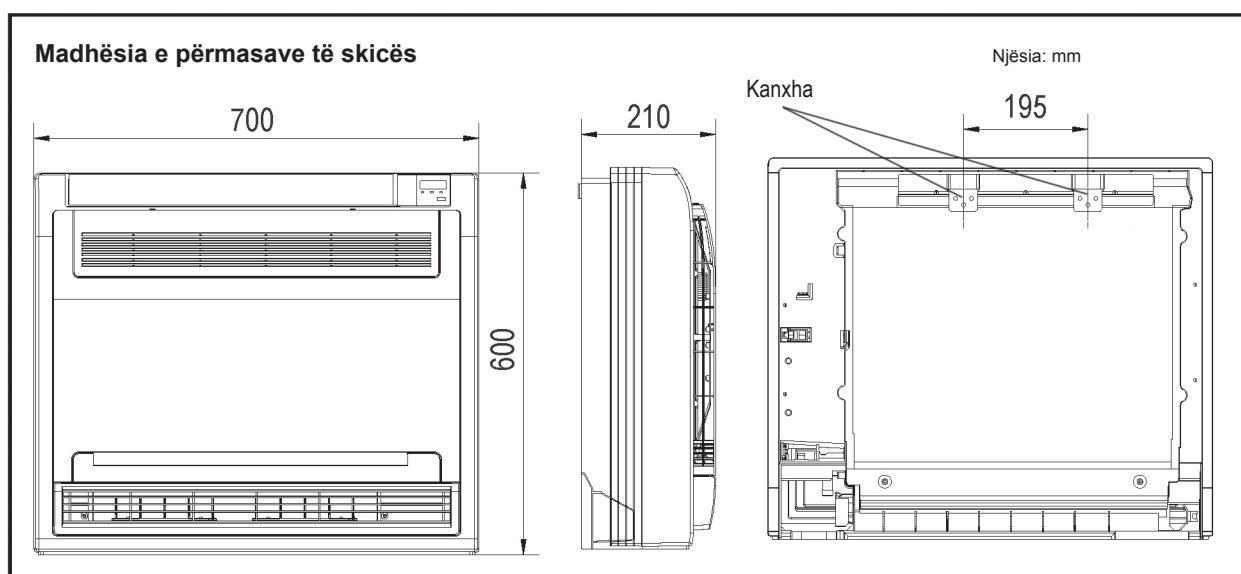
2.1 ZGJEDHJA E VENDIT TË INSTALIMIT

NJËSIA E BRENDSHME

- Në vende që nuk janë të ekspozuara ndaj dritës së drejtpërdrejtë të diellit.
- Në vende pa bllokim të qarkullimit të ajrit.
- Në vende ku garantohet shpërndarja optimale e ajrit.
- Në vende ku uji i kondensuar mund të shkarkohet siç duhet dhe në mënyrë të sigurt.
- Instalojeni njësinë e brendshme në një mur/tavan që parandalon dridhjet dhe është mjaftueshëm i fortë për të mbajtur peshën e produktit.
- Siguroni hapësirë të mjaftueshme përreth njësisë së brendshme për mirëmbajtjen dhe shërbimet e riparimit.
- Në vende ku filtri i ajrit mund të hiqet dhe të pastrohet lehtësisht.
- Në vende ku instalimi i tubave midis njësisë së brendshme dhe të jashtme është brenda kufijve të lejuar.
- Instalojeni njësinë e brendshme në distancë 1 m ose më shumë nga televizori ose radioja për të parandaluar shformimin e figurës së ekranit ose krijimin e zhurmave.
- Instalojeni njësinë e brendshme sa më larg që të jetë e mundur nga dritat fluoeshente dhe inkandeshente, në mënyrë që telekomanda të mund të funksionojë mirë.



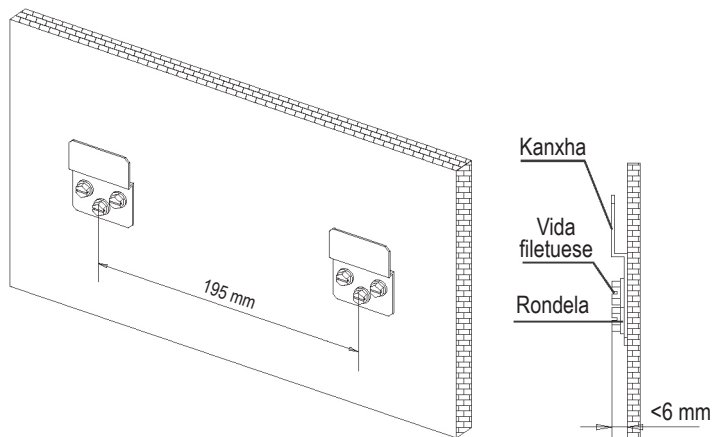
KËRKESAT LIDHUR ME HAPËSIRËN PËR NJËSINË E BRENDSHME



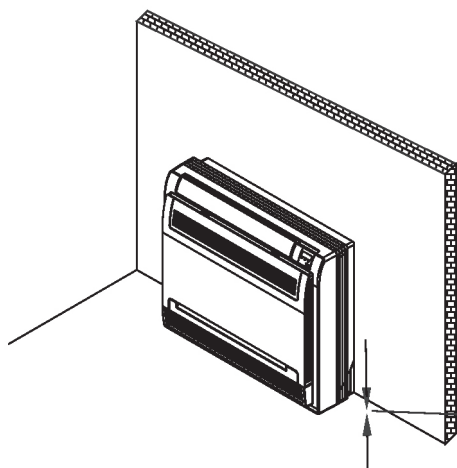
2. INSTALIMI I NJËSISË SË BRENDSHME

2.2 INSTALIMI I NJËSISË SË BRENDSHME

2.2.1 Fiksojeni kanxhën në mur me vidën e drurit.



2.2.1 Varja e njësies së brendshme në kanxhë.



Nuk ka hapësirë midis njësies dhe dyshemesë

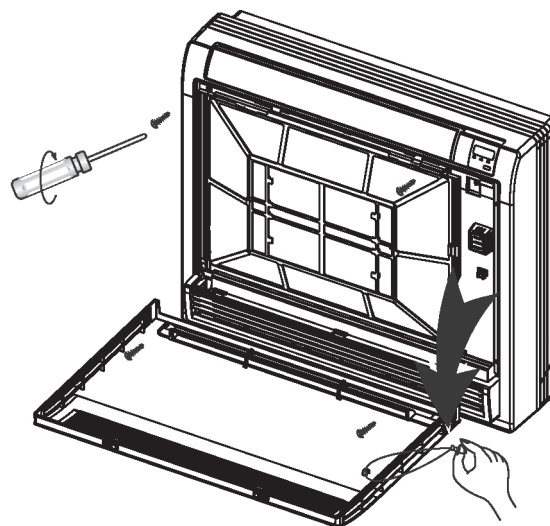
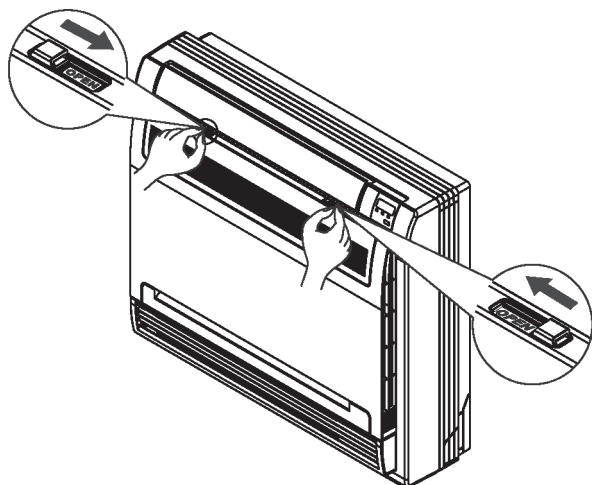
KUJDES

- Njësia duhet të instalohet vertikalisht.
- Midis njësies dhe dyshemesë nuk duhet të ketë asnjë hapësirë.

2.3 MËNYRA E LIDHJES SË TUBAVE DHE TELAVE

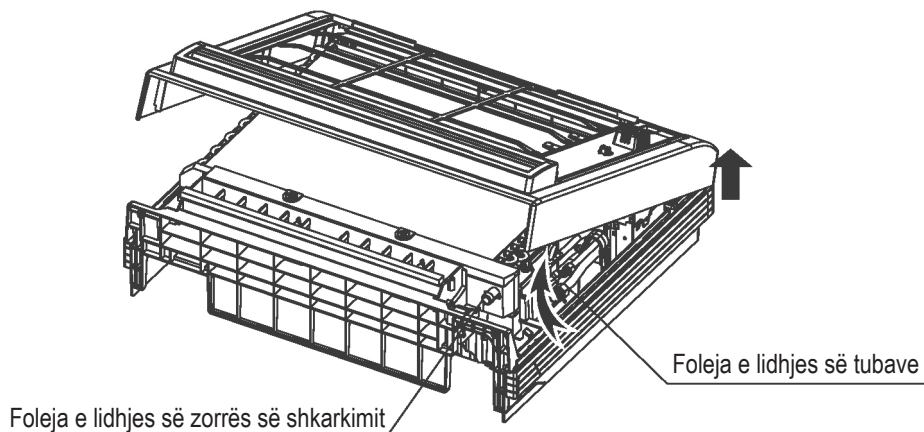
2.3.1 Shtyni njëkohësisht dy çelësat dhe më pas hapni panelin.

2.3.2 Hiqni lidhësen dhe hiqni panelin.

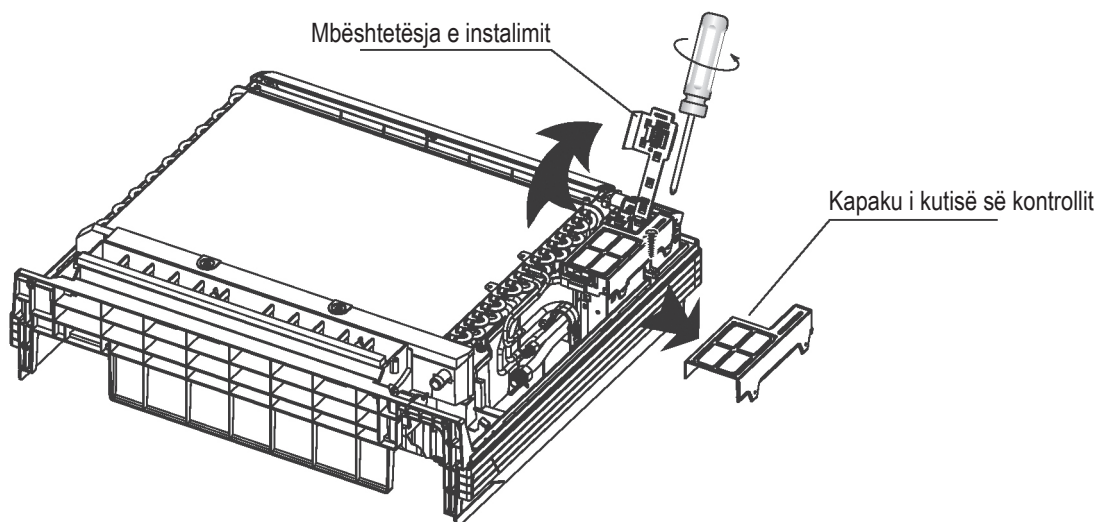


2. INSTALIMI I NJËSISË SË BRENDSHME

2.3.3 Hiqni 4 vidat dhe më pas hiqni skeletin nga ana fundore. Pas heqjes së skeletit, mund të vëzhgohen foleja e lidhjes së tubave dhe foleja e lidhjes së zorrës së shkarkimit.

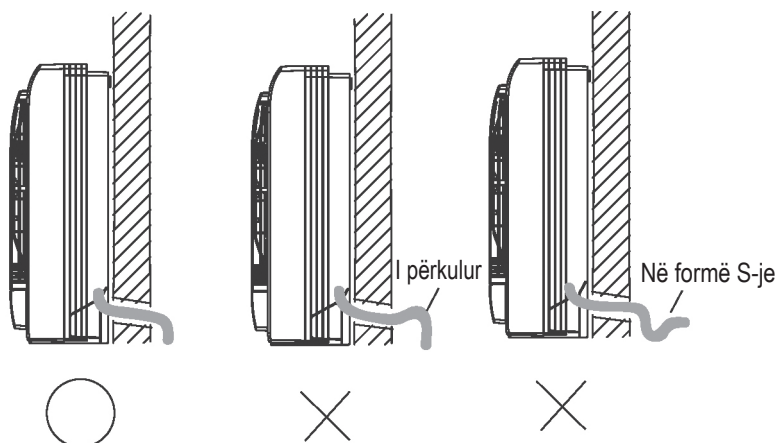


2.3.4 Hiqni mbështetësen e instalimit dhe më pas hiqni kapakun e kutisë së kontrollit. Mund të vërehet xhuntoja me kablo.



2.4 INSTALIMI I TUBIT TË SHKARKIMIT

Linja e shkarkimit nuk duhet të ketë pengesa në asnjë pjesë të gjatësisë së saj, duhet të anohet poshtë dhe të izolohet deri në murin e jashtëm.

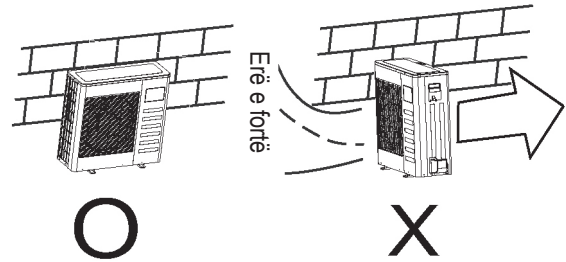


3. INSTALIMI I NJËSISË SË JASHTME

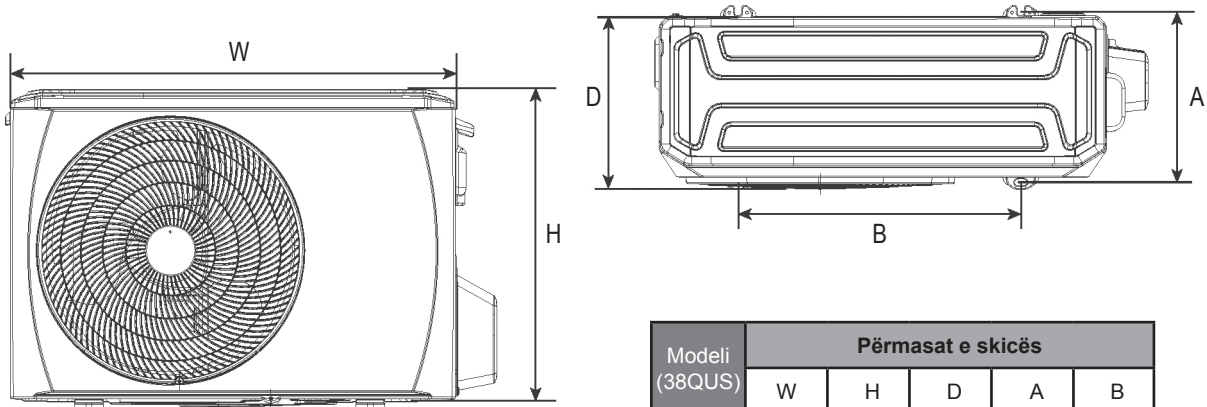
3.1 ZGJEDHJA E VENDIT TË INSTALIMIT

NJËSIA E JASHTME

- Në vende që nuk janë të ekspozuara ndaj shiut ose dritës së drejtpërdrejtë të diellit.
- Në vende me ajrim të mirë dhe pa pengesa në afërsi të vrimës së hyrjes dhe daljes së ajrit.
- Në vende që nuk shkaktojnë shtimin e zhurmave ose dridhjeve të njësisë së jashtme gjatë punës.
- Në vende ku uji i shkarkuar nuk shkakton probleme shkarkimi.
- Instaloni siç duhet njësinë e jashtme në një vend mjaftueshëm të qëndrueshëm për të përballuar peshën e saj.
- Në vende ku ofrohen hapësirat e duhura, siç paraqitet.
- Në vende ku instalimi i tubave midis njësisë së brendshme dhe të jashtme është brenda kufijve të lejuar.
- Në rajonet me dëborë dhe temperatura të ftohta, shmangni instalimin e njësisë së jashtme në zonat ku mund të mbulohet nga dëbora. Nëse pritet të bjerë dëborë e madhe, duhet të instalohet mbajtëse akulli ose mbrojtëse ndaj erës në vend, për ta mbrojtur njësinë nga grumbullimi i dëborës dhe bllokimi i tubit të ajrit.
- Kur e instaloni njësinë e jashtme në një vend me ekspozim të vazhdueshëm në erë të fortë, rekomandohet të përdoret mbrojtëse ndaj erës.



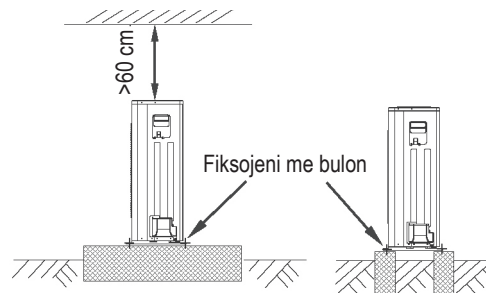
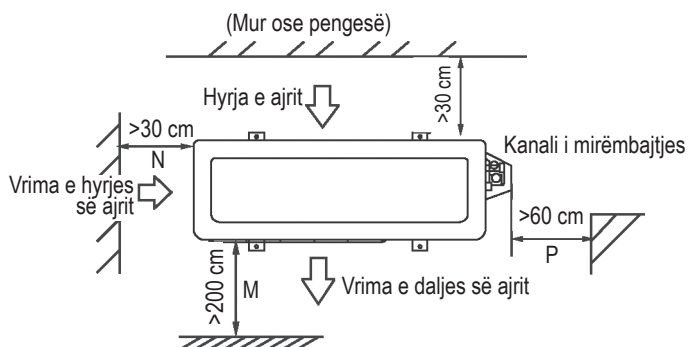
3.2 PËRMASAT E MONTIMIT TË NJËSISË SË JASHTME



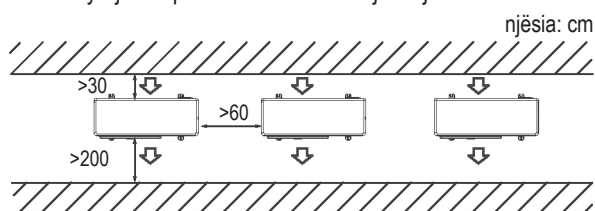
3. INSTALIMI I NJËSISË SË JASHTME

3.3 KËRKESAT LIDHUR ME HAPËSIRËN PËR NJËSINË E JASHTME

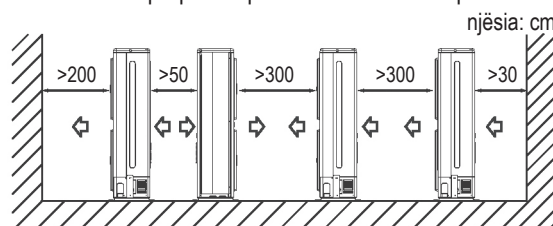
Instalimi i një njësie të vetme



Lidhimi dy njësitë paralelisht ose mbi njëra-tjetrën

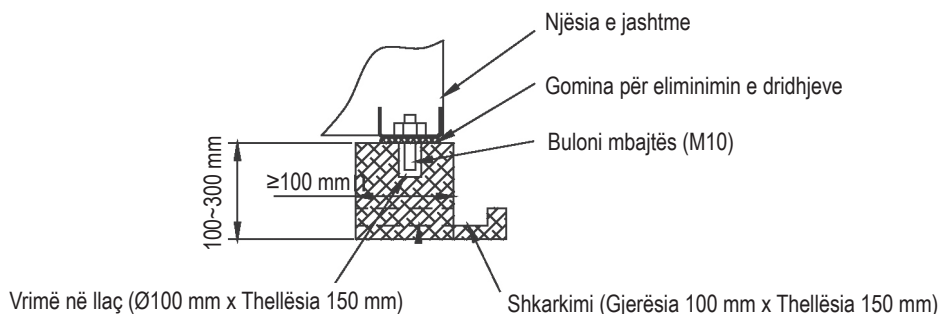


Lidhimi anët e përparme paralelisht me anët e pasme.



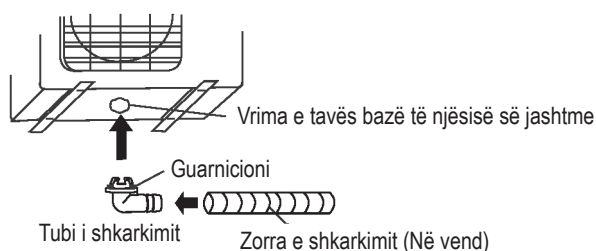
3.4 INSTALIMI I NJËSISË SË JASHTME

- Përpara instalimit, kontrolloni fortësinë dhe nivelin horizontal të bazës në mënyrë që të mos krijë zhurma jonormale.
- Fiksojeni bazamentin mirë me bulona mbajtës (M10) për të parandaluar rënien e tij.
- Instaloni gominat e bazamentit që eliminojnë dridhjet për të mbështetur drejtpërdrejt sipërfaqen fundore të këmbëzës fiksuese që është në kontakt me pllakën e fundit të njësisë së jashtme.



3.5 INSTALIMI I TUBIT TË SHKARKIMIT PËR NJËSINË E JASHTME

- Lidhni daljen e shkarkimit me një zorrë zgjatuese shkarkimi.
- Puthitni rondelën në daljen e shkarkimit.
- Futni daljen e shkarkimit në vrimën e tavës bazë të njësisë së jashtme dhe rrotullojeni me 90 gradë, për t'i montuar mirë.



4. INSTALIMET E TUBAVE FTOHËS

KUJDES

- Kontrolloni nëse diferenca e lartësisë midis njësisë së brendshme dhe njësisë së jashtme dhe gjatësia e plotë e tubit ftohës përmbushin kërkesat e sistemit.
- Instalimi i tubave ftohës bëhet pas instalimit të njësisë së brendshme dhe njësisë së jashtme. Fillimisht lidheni tubin në anën e brendshme dhe më pas në atë të jashtme.
- Gjatë instalimit, mbajni gjithmonë të izoluar pjesët fundore të tubave duke vendosur kapak ose shirit izolimi dhe MOS i hiqni derisa të jeni gati për lidhjen e tyre.
- Sigurohuni të izoloni të gjithë tubat në vend në të gjithë gjatësinë e tyre deri te bashkimi i tyre brenda njësisë. Tubat e ekspozuar mund të shkaktojnë kondensim të avujve ose djegie nëse preken.

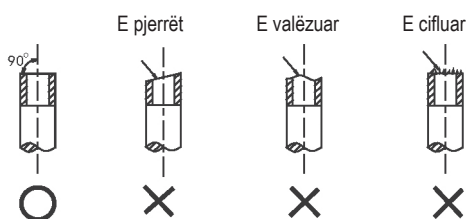
4.1 ZGJERIMI I TUBAVE

SHËNIM

- Mjetet e nevojshme për zgjerimin e tubave janë prerësi i tubave, shpuesi, pajisja zgjeruese dhe mbajtësi i tubave.

- Për modelet me gaz ftohës R32, pikat e lidhjes së tubave duhet të vendosen jashtë dhomës.

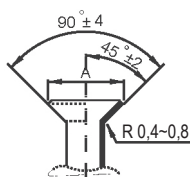
- 4.1.1 Përdorimi i prerësit të tubave për prerjen e tubit në gjatësinë e kërkuar. Sigurohuni që skaji i prerë të formojë kënd 90° me pjesën anësore të tubit.



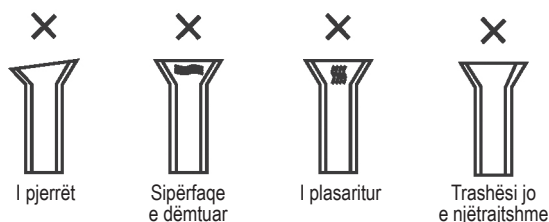
- 4.1.2 Përdorni një alezator për heqjen e ciftave, duke e mbajtur sipërfaqen e prerë të drejtuar poshtë për të parandaluar futjen e tyre në tub.

- 4.1.3 Bëni zgjerimin e tubit duke përdorur mjetet si vijon.

Diametri i jashtëm	A (mm)	
	Maks.	Min.
Ø6,35 mm	8,7	8,3
Ø9,52 mm	12,4	12,0
Ø12,7 mm	15,8	15,4
Ø15,88 mm	19,0	18,6
Ø19,05 mm	23,3	22,9



- 4.1.4 Kontrolloni nëse zgjerimi është kryer siç duhet. Shikoni shembujt e mëposhtëm të tubave të zgjeruar në mënyrë të pasaktë.

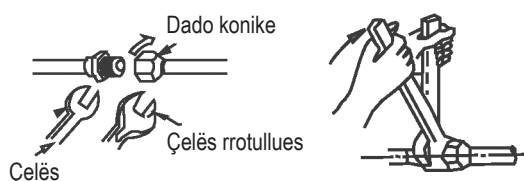


KUJDES

- Nëse do të nevojitet kallajisje, kryeni shkrirje me fryrje me gaz azoti.
- Rrotullimi jo i duhur do të shkaktojë dëmtim të zgjerimit ose rrjedhje të gazit.

4.2 INSTALIMET E TUBAVE

- 4.2.1 Bashkërendisni qendrën për shtrëngimin e dados konike dhe përfundoni lidhjen duke përdorur dy çelësa.



Madhësia e tubave	Rrotullimi
Ø6,35 mm	18 ~ 20 N.m
Ø9,52 mm	25 ~ 26 N.m
Ø12,7 mm	35 ~ 36 N.m
Ø15,88 mm	45 ~ 47 N.m
Ø19,05 mm	65 ~ 67 N.m

- 4.2.2 Zgjidhni materialin e duhur izolues për tubin ftohës. (Min. 10 mm, shkurthë izoluese termike C)

- Përdorni tuba të veçantë izolimi termik për tubat e gazit dhe të substancave të lëngshme.
- Trashësia e dhënë më sipër është standarde për temperaturë të brendshme 27°C dhe lagështi 80%. Përforcojeni izolimin nëse e instaloni në kushte jo të favorshme, si p.sh. në afërsi të banjës, kuzhinës dhe vendndodhjeve të tjera të ngjashme.
- Izolimi duhet të jetë i tillë që t'i rezistojë temperaturave më të larta se 120°C.
- Për të parandaluar futjen e lagështisë, përdorni ngjitës në pjesët e lidhjes së izolimit.
- Riparoni dhe mbuloni të gjitha plasarët e mundshme të izolimit, veçanërisht kontrolloni pjesën e përkulur ose mbajtësen e tubave.

4. INSTALIMET E TUBAVE FTOHËS

4.3 TUBI FTOHËS

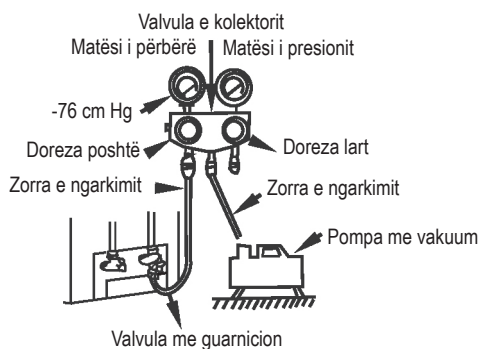
Modeli 38QUS	Ana e substancave të lëngshme	Ana e gazit	Gjatësia e lejueshme e tubit (m)	Diferenca maksimale në lartësi (m)	Gjatësia e përcaktuar për sasinë e agjentit ftohës (m)	Dhënie shtesë për metër (R410A/R32)
009/012	Ø6,35 mm	Ø9,52 mm	25	10	5	15/12 g/m
018	Ø6,35 mm	Ø12.7 mm	30	20	5	15/12 g/m

SHËNIM: 1) Ju lutem përdorni mjetet për sistemin R410A/R32;

2) Kur tubi është më i gjatë se 5 m, duhet të shtohet ftohës shtesë, në varësi të gjatësisë së tubit.

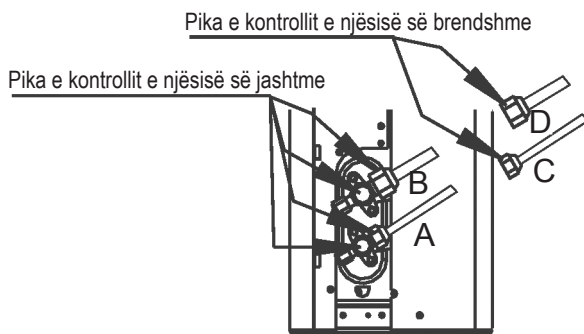
4.4 NXJERRJA E AJRIT

- Lidhni zorrën e ngarkimit nga matësi i tubit të shkarkimit në folenë e shërbimit të valvulës me guarnicion në anën e gazit.
- Lidhni zorrën e ngarkimit me folenë e pompës së vakuimit.
- Hapni plotësisht dorezën poshtë të matësit të kolektorit.
- Përdorni pompën e vakuimit për nxjerrjen e ajrit nga sistemi deri në 76 cm Hg.
- Mbylleni plotësisht dorezën poshtë të matësit të kolektorit.
- Hapni plotësisht bishtin e valvulave me guarnicion.
- Hiqni zorrën e ngarkimit nga foleja e shërbimit.
- Shtrëngoni mirë kapakët e valvulës me guarnicion.



4.5 TESTI PËR RRJEDHJE

Pasi të keni përfunduar instalimin e tubave, sigurohuni të kontrolloni pjesët e lidhjes së secilit tub ftohës dhe të konfirmoni që nuk ka rrjedhje gazi duke aplikuar mbi ta ujë me sapun ose duke përdorur detektor rrjedhjeje të posaçëm për agjentët ftohës HFC. Për ilustrim, drejtoju figurës së mëposhtme.



- A: Valvul bllokuese për presionin e ulët
 B: Valvul bllokuese për presionin e lartë
 C dhe D: Dadot konike të njësisë së brendshme

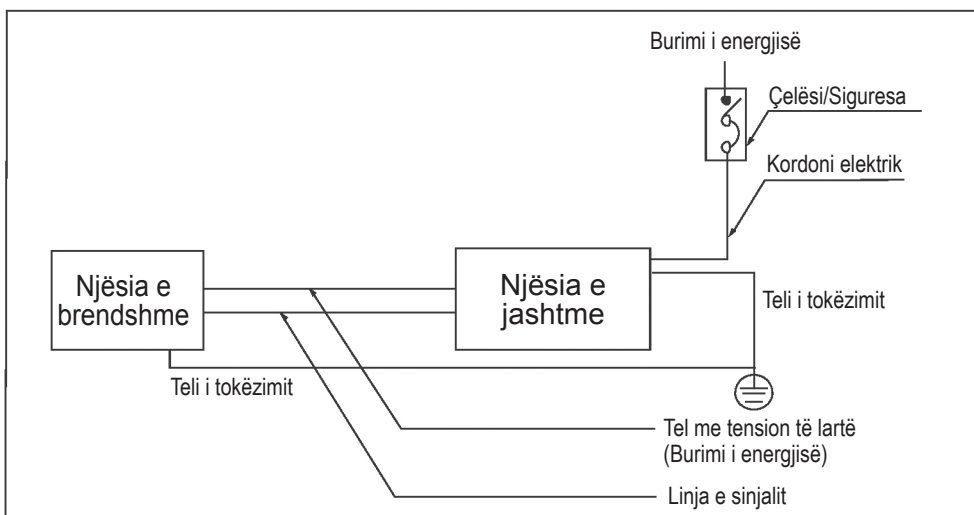
5. INSTALIMET ELEKTRIKE

! KUJDES

- Të gjitha lidhjet elektrike duhet të kryhen nga instalues të kualifikuar dhe të gjitha instalimet elektrike duhet të bëhen sipas diagramit të instalimeve elektrike.
- Përpara çfarëdo lidhjeje tjetër elektrike, kryeni lidhjen e tokëzimit.
- Përpara kryerjes së instalimeve elektrike duhet të shkëputni të gjitha burimet e energjisë dhe mos i aktivizoni ato derisa të jeni siguruar që i keni kontrolluar të gjitha instalimet në lidhje me sigurinë.
- Duhet të instalohet një çelës kryesor dhe një automat ose siguresë; kapaciteti duhet të jetë 1,5 herë më i madh se rryma maksimale në qark.
- Duhet të vihet në dispozicion një qark për degën individuale dhe një fole teke për përdorim vetëm për këtë pajisje.
- Parametrat e telave varen nga rryma nominale, si dhe nga kodi i brendshëm, qendror dhe vendor i lidhjeve elektrike. Për kërkesa të posaçme, shikoni kodet vendore të ndërtimit dhe Kodin Kombëtar Elektrik.
- Nëse kordoni elektrik është i dëmtuar, duhet të zëvendësohet nga prodhuesi, agjenti i riparimit ose persona të kualifikuar, për të shmangur rreziqet.
- Njësia duhet të lidhet me burimin kryesor të energjisë me anë të një automati ose çelësi me shkëputje kontakti prej të paktën 3 mm në të gjitha polet. Këshillohet instalimi i një pajisjeje me rrymë të mbetur (RCD) dhe rrymë të mbetur nominale pune që nuk i tejkalon 30 mA.

5.1 FUQIA NGA ANA E JASHTME

- Figura e instalimeve elektrike



- Specifikimet për burimin e energjisë dhe telat lidhës

Modaliteti (Btu/h)		9k	12k	18k
Energjia	Faza	1-Fazë	1-Fazë	1-Fazë
	Frekuenca dhe tensioni	220-240V~ 50Hz	220-240V~ 50Hz	220-240V~ 50Hz
Rryma nominale		10A	10A	11A
Vlera e siguresës (Furnizimi në terren)		20A	20A	20A
Kordoni i energjisë (Furnizimi në terren)		H07RN-F; 3×2,5mm ²	H07RN-F; 3×2,5mm ²	H07RN-F; 3×2,5mm ²
Instalimet e pajisjes së brendshme/jashtme (Furnizimi në terren)		H07RN-F; 4×1,5mm ²	H07RN-F; 4×1,5mm ²	H07RN-F; 4×2,5mm ²

SHËNIM MBI TË DHËNAT E SIGURESËS:

(zbatohet vetëm për pajisjet që përdorin gaz ftohës R32, dhe siguresa është prej qeramike.)

1. Të dhënat e siguresës së pajisjes së jashtme janë T20A/250VAC (për pajisjen <24000Btu/h), T30A/250VAC (për pajisjen >24000Btu/h)
2. Të dhënat e siguresës së pajisjes së brendshme janë T5A/250VAC, T10A/250VAC.

6. KONTROLI PËRFUNDIMTAR DHE KRYERJA E PROVËS

6.1 LISTA E KONTROLLIT PËRFUNDIMTAR

Për të përfunduar instalimin, kryeni kontrollet e mëposhtme përpara kryerjes së provës.

- Qëndrueshmëria e vendit të instalimit për anët e brendshme dhe të jashtme. Konfirmoni që nuk ka bllokim të daljes së ajrit apo rikthim të ajrit në njësi.
- Fortësia e lidhjes së tubave ftohës. Konfirmoni që nuk ka rrjedhje
- Lidhjet elektrike janë kryer saktë dhe njësi ka lidhje tokëzimi
- Kontrolloni gjatësinë e përgjithshme të tubave dhe regjistroni vëllimin e agjentit ftohës shtesë të ngarkuar
- Burimi i energjisë duhet të përputhet me tensionin nominal të kondicionerit
- Izolimi i tubit
- Shkarkimi

6.2 PËRDORIMI MANUAL

Përdorimi manual mund të bëhet duke shtypur butonin manual në panelin e ekranit.

Shtypni vazhdimisht butonin manual për të ndryshuar modalitetet si vijon:

- Një herë = modaliteti "AUTO (Automatik)" [ngrohje, ftohje ose ventilator, 24°C dhe shpejtësi automatike ventilatori.
- Dy herë = modaliteti "COOLING (Ftohje)" [kaloni në modalitetin "AUTO (Automatik)" pas 30 minutash (përdoret kryesisht për qëllime testimi)]
- Tri herë = FIKJE

6.3 KRYERJA E PROVËS

Caktojini kondicionerin në modalitetin "COOLING (ftohje)" me anë të telekomandës (ose me butonin manual) dhe kontrolloni gjendjen e funksionimit të njësisë së brendshme dhe të njësisë së jashtme. Në rast keqfunksionimi, zgjidheni atë duke vepruar në përputhje me kapitullin "Zgjidhja e problemeve" të "Manuali i shërbimit".

Njësia e brendshme

- Nëse punojnë mirë butonat (si ON/OFF (Ndezja/Fikja), MODE (Modaliteti), TEMPERATURE (Temperatura), FAN SPEED (Shpejtësia e ventilatorit) etj.) në telekomandë.
- Nëse grila e ajrimit lëviz normalisht.
- Nëse temperatura e dhomës është rregulluar siç duhet.
- Nëse dritat treguese në panelin e ekranit janë normale.
- Nëse butoni "manual" punon mirë.
- Nëse shkarkimi është normal.
- Nëse ka dridhje apo zhurmë jonormale gjatë funksionimit.
- Nëse njësi e brendshme punon mirë në modalitetin "COOLING (Ftohje)" ose "HEATING (Ngrrohje)".

Njësia e jashtme

- Nëse ka dridhje apo zhurmë jonormale gjatë funksionimit.
- Nëse era, zhurma ose uji i kondensuar të krijuara nga kondicioneri shqetësojnë fqinjët tuaj.
- Nëse ka rrjedhje të agjentit ftohës.



KUJDES

- Gjatë rindezjes së njësisë, funksionimi do të vonohet me 3 minuta për mbrojtjen e saj.

7. SHËRBIMI I INFORMIMIT

7.1 KONTROLLET NË ZONË

Përpara se të nisni punën në sisteme që përmbajnë agjentë të ndezshëm ftohës, nevojiten kontrole sigurie për të garantuar minimizimin e rrezikut të ndezjes. Për riparimin e sistemit të ftohjes, duhen ndjekur masat e mëposhtme paraprake përpara kryerjes së punimeve në sistem.

7.2 PROCEDURA E PUNËS

Punimet duhen kryer me procedura të kontrolluara për të minimizuar rrezikun e pranisë së gazeve apo të avujve të ndezshëm gjatë kryerjes së punimeve.

7.3 ZONA E PËRGJITHSHME E PUNËS

I gjithë stafi i mirëmbajtjes dhe persona të tjerë që punojnë në terren duhet të marrin udhëzime për natyrën e punës që po kryhet. Duhet të evitohen punimet në hapësira të ngushta. Zona përreth hapësirës së punimeve duhet të veçohet. Sigurohuni që kushtet brenda zonës të jenë të sigurta duke pasur nën kontroll materialet e ndezshme.

7.4 KONTROLLI PËR PRANINË E AGJENTIT FTOHËS

Zona duhet të kontrollohet me një detektor të përshtatshëm të agjentit ftohës përpara dhe gjatë punimeve, për të garantuar që tekniku të jetë në dijeni të atmosferave potencialisht të ndezshme. Sigurohuni që pajisjet e përdorura për diktimin e rrjedhjeve të jenë të përshtatshme për përdorim me agjentë të ndezshëm ftohës, p.sh. pa shkëndija, me izolimin e duhur ose që janë vetë të parrezikshme.

7.5 PRANIA E FIKËSIT TË ZJARRIT

Nëse kryhen punime në të nxehtë mbi pajisjet e ftohjes ose në pjesë të tjera përkatëse, duhet të mbani pranë mjetet e duhura zjarrfikëse. Pranë zonës së mbushjes mbani një fikës zjarri me CO₂ ose me pluhur të thatë.

7.6 ASNJË BURIM NDEZJEJE

Askush që kryen punime që prekin sistemin e ftohjes dhe që mund të përfshijë ekspozimin e ndonjë tubacioni që përmban apo ka pasur më herët agjent të ndezshëm ftohës nuk duhet të lejohet t'i përdorë burimet e ndezjes në mënyrë të atillë që mund të shkaktojë rrezik zjarri apo shpërthimi. Të gjitha burimet e mundshme të ndezjes, duke përfshirë tymosjen e cigareve, duhet të jenë sa më larg nga vendi i instalimit, riparimit, heqjes dhe hedhjes, në të cilin mund të çlirohet agjenti i ndezshëm ftohës në hapësirën përreth. Përpara se të kryhen punimet, zona përreth pajisjes duhet të inspektohet për t'u siguruar që të mos ketë rreziqe zjarri apo ndezjeje. Duhet të afishohen tabelat "NDALOHET DUHANI".

7.7 ZONA E AJROSUR

Sigurohuni që zona të jetë në vend të hapur dhe që të ajroset mirë përpara se të ndërhyhet në sistem ose të kryhet ndonjë punim në të nxehtë. Njëfarë ajrosjeje duhet të vazhdojë gjatë periudhës që kryhet puna. Ajrosja duhet të shpërmdajë në formë të sigurt agjentin e çliuar ftohës dhe mundësisht ta nxjerrë jashtë në atmosferë.

7.8 KONTROLLET NË PAJISJET FTOHËSE

Në rastet ku ndërrohen komponentët elektrikë, këta të fundit duhet të jenë të përshtatshëm për qëllimin dhe të kenë specifikimin e duhur. Udhëzimet e prodhuesit për mirëmbajtjen dhe shërbimin duhen ndjekur në çdo kohë. Nëse keni dyshime, konsultohuni me departamentin teknik të prodhuesit për asistencë. Duhet kryer kontrollet e mëposhtme në instalimet që përdorin agjentë të ndezshëm ftohës:

7. SHËRBIMI I INFORMIMIT

- masa e ngarkesës është në përputhje me madhësinë e dhomës brenda së cilës instalohen pjesët që përmbajnë agjentin ftohës;
- makineria dhe daljet e ajrosjes punojnë në rregull dhe nuk kanë pengesa;
- nëse përdoret një qark indirekt ftohës, qarqet dytësore duhen kontrolluar për praninë e agjentit ftohës; shënimi në pajisje vijon të jetë i dukshëm dhe i lexueshëm.
- shënimi dhe shenjat që janë të palexueshme duhen korrigjuar;
- tubi ose komponentët e ftohjes instalohen në një pozicion që nuk ka gjasë të ekspozohet ndaj substancave që mund të gërryjnë komponentët që përmbajnë agjentin ftohës, përveç nëse komponentët përbëhen nga materiale që i rezistojnë vetvetiu gërryerjes ose që mbrohen në formën e duhur ndaj kësaj gërryerjeje.

7.9 KONTROLLET NË PAJISJET ELEKTRIKE

Riparimi dhe mirëmbajtja e komponentëve elektrikë duhet të përfshijë kontrollet fillestare të sigurisë dhe procedurat e inspektimit të komponentëve. Nëse ka problem që mund të cenojë sigurinë, atëherë në qark nuk duhet lidhur asnjë linjë ushqimi elektrik pa u zgjidhur më parë problemi. Nëse problemi nuk mund të zgjidhet menjëherë, por puna është e domosdoshme dhe nuk mund të ndërpritet, duhet gjetur një zgjidhje e duhur e përkohshme. Kjo i duhet raportuar pronarit të pajisjes në mënyrë që të jenë në dijeni të gjitha palët.

Kontrollet fillestare të sigurisë duhet të përfshijnë sa vijon:

- kondensatorët të jenë shkarkuar: kjo duhet kryer në mënyrë të sigurt për të evituar mundësinë e shkëndijave
- të mos ketë komponentë elektrikë me ngarkesë dhe tela të ekspozuar gjatë mbushjes, rikuperimit ose spastrimit të sistemit;
- të mos ketë ndërprerje të tokëzimit.

7.10 RIPARIMET NË KOMPONENTËT E IZOLUAR

- 10.1 Gjatë riparimeve në komponentët e izoluar, të gjitha pikat e furnizimit me energji duhet të shkëputen nga pajisjet ku po punohet përpara heqjes së kapakëve të izoluar etj. Nëse është absolutisht e domosdoshme që pajisjet të kenë furnizim me energji gjatë mirëmbajtjes, atëherë duhet të instalohet një formë e përhershme diktimi të rrjedhjeve në pikën më kritike për të paralajmëruar për situata të mundshme rreziku.
- 10.2 U duhet kushtuar vëmendje e veçantë rasteve të mëposhtme për t'u siguruar që gjatë punës në komponentët elektrikë, kasa të mos modifikohet në forma të atilla që mund të cenojnë shkallën e mbrojtjes. Kjo përfshin dëmtimin e kabllove, numrin e tepruar të lidhjeve, terminalët që nuk përmbushin specifikimin origjinal, dëmtimin e guarnicioneve, vendosjen e gabuar të permistopave etj.
- Sigurohuni që aparati të jetë montuar në formë të sigurt.
 - Sigurohuni që guarnicionet ose materialet izoluese të mos degradojnë deri në atë masë sa të mos shërbejnë më për parandalimin e hyrjes së gazeve të ndezshme. Pjesët e këmbimit duhet të jenë në përputhje me specifikimet e prodhuesit.

SHËNIM: Përdorimi i izolantit të silikonit mund të pengojë efikasitetin e disa tipave pajisjesh për diktimin e rrjedhjeve. Komponentët që janë vetë të sigurt nuk kanë pse izolohen përpara se punohet me ta.

7.11 RIPARIMET NË KOMPONENTËT VETVETIU TË SIGURT

Mos vendosni ngarkesa të përhershme përçuese ose vëllimi në qark pa garantuar që kjo të mos tejkalojë tensionin e lejuar dhe rrymën e lejuar për pajisjet në përdorim. Ndërsa ndodheni në praninë e gazeve të ndezshme mund të punoni vetëm me komponentë vetvetiu të sigurt. Aparati i testimit duhet të jetë në normimin e duhur. Ndërronini komponentët vetëm me pjesët e përcaktuara nga prodhuesi. Pjesët e tjera mund të shkaktojnë ndezjen e agjentit ftohës në atmosferë për shkak të ndonjë rrjedhjeje.

7. SHËRBIMI I INFORMIMIT

7.12 KABLLOT

Kontrolloni që kabllo të mos i nënshtrohen konsumit, gërryerjes, trysnisë të tepërt, dridhjeve, skajeve të mprehta apo ndikimeve të tjera negative mjedisore. Kontrolli duhet të marrë gjithashtu parasysh pasojat e vjetërimit ose të dridhjeve të vazhdueshme nga burime si kompresorët apo ventilatorët.

7.13 DIKTIMI I AGJENTËVE TË NDEZSHËM FTOHËS

Në asnjë rast burimet e mundshme të ndezjes nuk duhen përdorur për kërkimin apo diktimin e rrjedhjeve të agjentit ftohës. Nuk duhet përdorur elektrik halogjen (apo detektor tjetër me flakë të hapura).

7.14 MËNYRAT E DIKTIMIT TË RRJEDHJEVE

Mënyrat e mëposhtme për diktimin e rrjedhjeve gjykohen si të pranueshme për sistemet që përmbajnë agjentë të ndezshëm ftohës. Duhet përdorur detektorë elektronikë rrjedhjeje për diktimin e agjentëve të ndezshëm ftohës, por ndjeshmëria mund të mos jetë e përshtatshme ose mund të nevojitet rikalibrim. (Pajisjet e diktimit duhen kalibruar në zona pa agjentë ftohës.) Sigurohuni që detektori të mos jetë burim i mundshëm ndezjeje dhe të jetë i përshtatshëm për agjentin ftohës. Pajisjet e diktimit të rrjedhjeve duhen caktuar në përqindjen e LFL-së së agjentit ftohës, duhen kalibruar sipas agjentit ftohës të përdorur dhe duhet konfirmuar përqindja e duhur e gazit (maksimumi 25%). Lëngjet për diktimin e rrjedhjeve janë të përshtatshme për përdorim me shumicën e agjentëve ftohës, por përdorimi i detergjenteve me përmbajtje klori duhet evituar, pasi klori mund të veprojë me agjentin ftohës dhe të gërryjë tubacionin prej bakri. Nëse dyshohet për rrjedhje, të gjitha flakët e hapura duhen hequr ose fikur. Nëse vërehet rrjedhje e agjentit ftohës që kërkon saldim, i gjithë agjenti ftohës duhet nxjerrë nga sistemi ose duhet izoluar (nëpërmjet valvulave mbyllëse) në një pjesë të sistemit larg nga rrjedhja. Azoti pa oksigjen (OFN) duhet spastruar në vijim nga sistemi edhe përpara edhe pas procesit të saldimit.

7.15 HEQJA DHE NXJERRJA

Në raste ndërhyrjeje në qarkun e agjentit ftohës për riparime ose qëllime të tjera duhen përdorur procedura konvencionale. Por është e rëndësishme që të ndiqen praktikat e mira pasi duhet marrë parasysh ndezshmëria. Duhet ndjekur procedura e mëposhtme:

- hiqni agjentin ftohës;
- spastroni qarkun me gaz inert;
- nxirrni gazin;
- rispastroni me gaz inert;
- hapeni qarkun me prerje ose saldim.

Mbushja me agjent ftohtës duhet të rikuperohet në cilindrat e duhur të rikuperimit. Sistemi duhet të shpëlahet me azot pa oksigjen për të garantuar sigurinë e njësisë. Mund të nevojitet që ky proces të përsëritet disa herë. Nuk duhet përdorur ajër i komprimuar apo oksigjen për këtë punë.

Shpëlarja duhet të kryhet duke hequr vakuumin nga sistemi me anë të azotit pa oksigjen dhe duke vijuar me mbushjen derisa të arrihet presioni i punës, në vijim duke e çajrosur atmosferën dhe duke e zbratur së fundi deri në vakuum. Ky proces duhet të përsëritet derisa të mos mbesë më agjent ftohës në sistem.

Kur të përdoret mbushja e fundit me azot pa oksigjen, sistemi duhet të çajroset deri në presionin atmosferik që mundëson kryerjen e punës. Ky veprim është i rëndësishëm kritikë nëse në tubacion do të kryhen punime saldimi. Sigurohuni që dalja e pompës së vakuimit të mos mbyllet në burime ndezjeje dhe që të ketë ajrosje.

7. SHËRBIMI I INFORMIMIT

7.16 PROCEDURAT E MBUSHJES

Përveç procedurave konvencionale të mbushjes, duhen ndjekur kërkesat e mëposhtme:

- Sigurohuni që të mos ketë ndotje nga agjentë të ndryshëm ftohës kur përdorni pajisje mbushjeje. Zorrët ose linjat duhet të jenë sa më të shkurtra për të zvogëluar sasinë e agjentit ftohës që përmbajnë.
- Cilindrat duhet të mbahen vertikalisht.
- Sigurohuni që sistemi i ftohjes të tokëzohet përpara se sistemi të mbushet me agjent ftohës.
- Etiketojeni sistemin pasi të përfundojë mbushja (nëse nuk e keni bërë më parë).
- Duhet të bëni kujdes maksimal që të mos e mbushni më shumë seç duhet sistemin e ftohjes.
- Përpara rimbushjes sistemi duhet të testohet me azot pa oksigjen. Sistemi duhet të testohet për rrjedhje me përfundimin e mbushjes, por përpara vënies në punë. Testimi pasues për rrjedhje

7.17 NXJERRJA NGA PUNA

Përpara se të kryhet kjo procedurë, është thelbësore që tekniku ta njohë tërësisht pajisjen dhe të gjitha të dhënat e saj. Rekomandohet si praktikë e mirë që të gjithë agjentët ftohës të rikuperohen në mënyrë të sigurt. Përpara se të kryhet puna, duhet marrë një kampion vaji dhe agjenti ftohës.

Në rast se nevojitet analizë përpara ripërdorimit të agjentit të mbledhur ftohës, është thelbësore që të ketë energji elektrike përpara se të fillojë puna.

- a) Njihuni me pajisjen dhe funksionimin e saj.
- b) Izoloni sistemin nga ana elektrike
- c) Përpara se të provoni procedurën, sigurohuni që:
 - të ketë pajisje për përdorimin mekanik, nëse paraqitet nevoja, të cilindrave të agjentit ftohës;
 - të gjitha pajisjet mbrojtëse personale të jenë në dispozicion dhe të përdoren siç duhet;
 - procesi i rikuperimit të mbikëqyret në çdo kohë nga një person kompetent;
 - pajisjet dhe cilindrat e rikuperimit të jenë në përputhje me standardet përkatëse.
- d) Pastroni sistemin e ftohjes me pompë nëse është mundur.
- e) Nëse nuk mund të krijoni vakuum, krijoni një tubacion të degëzuar që të mund ta hiqni agjentin ftohës nga pjesë të ndryshme të sistemit.
- f) Sigurohuni që cilindri të vendoset në gradacion përpara kryerjes së rikuperimit.
- g) Ndizni makinerinë e rikuperimit dhe përdoreni në përputhje me udhëzimet e prodhuesit.
- h) Mos i mbushni cilindrat më shumë seç duhet. (Mbushje jo mbi 80% të vëllimit të lëngët).
- i) Mos e tejkaloni presionin maksimal të punës të cilindrit, as përkohësisht.
- j) Kur cilindrat të jenë mbushur siç duhet dhe procesi të ketë përfunduar, sigurohuni që cilindrat dhe pajisja të hiqen menjëherë nga vendi dhe që të mbyllen të gjitha valvulat e izolimit në pajisje.
- k) Agjenti i rikuperuar ftohës nuk duhet të përdoret për mbushje në sistem tjetër ftohjeje, përveç nëse është pastruar dhe kontrolluar.

7.18 ETIKETIMI

Pajisjet duhet të etiketohen me deklaratën se janë nxjerrë jashtë pune dhe iu është zbratur agjenti ftohës. Etiketa duhet të mbajë datën dhe nënshkrimin. Sigurohuni që në pajisje të ketë etiketa me deklaratën se pajisja përmban agjent të ndezshëm ftohës.

7. SHËRBIMI I INFORMIMIT

7.19 RIKUPERIMI

- Kur agjenti ftohës nxirret nga një sistem, qoftë për shërbim apo nxjerrje jashtë pune, rekomandohet si praktikë e mirë që të gjithë agjentët ftohës të hiqen në mënyrë të sigurt.
- Kur transferohet agjent ftohës në cilindra, sigurohuni që të përdoren vetëm cilindrave e duhur të rikuperimit të agjentit ftohës. Sigurohuni që të jetë në dispozicion numri i duhur i cilindrave për mbajtjen e të gjithë vëllimit të sistemit. Të gjithë cilindrave për përdorim përcaktohen për agjentin e rikuperuar ftohës dhe etiketohen për atë agjent ftohës (p.sh. cilindra të posaçëm për rikuperimin e agjentit ftohës). Cilindrave duhet të jenë të plotë me valvulë funksionale për çlirimin e presionit dhe valvulat përkatëse funksionale mbyllëse.
- Cilindrave e zbrazët të rikuperimit evakuohen dhe, sipas mundësisë, ftohen përpara kryerjes së rikuperimit.
- Pajisjet e rikuperimit duhet të jenë në gjendje të mirë pune me një grup udhëzimesh për pajisjen që po përdoret dhe duhet të jenë të përshtatshme për rikuperimin e agjentëve të ndezshëm ftohës. Për më tej, një grup peshorësh të kalibruara duhet të jenë në dispozicion dhe në gjendje të mirë pune.
- Zorrët duhet të jenë të plota me xhunto shkëputëse pa rrjedhje dhe në gjende të mirë. Përpara përdorimit të makinerisë së rikuperimit, kontrolloni nëse është në gjendje të kënaqshme pune, nëse është mirëmbajtur siç duhet dhe që pjesët përkatëse elektrike përkatëse të jenë izoluar për të parandaluar ndezjen në rast çlirimi të agjentit ftohës. Konsultohuni me prodhuesin nëse keni dyshime.
- Agjenti i rikuperuar ftohës duhet t'i kthehet furnitorit të agjentit ftohës në cilindrin e duhur të rikuperimit, dhe me deklaratën përkatëse të përgatitur për transferimin e mbetjeve. Mos përzieni agjentë ftohës në njësitë e rikuperimit dhe sidomos jo në cilindra.
- Nëse hiqen kompresorët ose vajrat e kompresorëve, sigurohuni t'i evakuoni deri në një masë të pranueshme për t'u siguruar që agjenti i ndezshëm ftohës të mos mbetet me lubrifikantin. Procesi i evakuimit duhet të kryhet përpara kthimit të kompresorit te furnitorët. Për përshejtimin e këtij procesi duhet përdorur vetëm ngrohje elektrike për trupin e kompresorit. Në rast shkarkimi të vajit nga një sistem, veprimi duhet kryer me kujdes.

7.20 TRANSPORTI, MARKIMI DHE MAGAZINIMI I NJËSIVE

1. Transporti i pajisjeve që përmbajnë agjentë të ndezshëm ftohës
Pajtueshmëria me rregulloret e transportit
2. Markimi i pajisjeve me shenja
Pajtueshmëria me rregulloret vendore
3. Hedhja e pajisjeve që përdorin agjentë të ndezshëm ftohës
Pajtueshmëria me rregulloret kombëtare
4. Magazinimi i pajisjeve/aparaturave
Magazinimi i pajisjeve duhet të bëhet në përputhje me udhëzimet e prodhuesit.
5. Magazinimi i pajisjeve të paketuara (të pashitura)
Mbrojtja e paketimeve të magazinimit duhet të organizohet e tillë që dëmtimi mekanik i pajisjes që ndodhet brenda paketimit të mos shkaktojë rrjedhje të agjentit ftohës me të cilin është mbushur.
Numri maksimal i pajisjeve të lejuara për magazinim së bashku duhet të përcaktohet nga rregulloret vendore.

Ovaj proizvod je usaglašen sa Direktivom o niskonaponskoj opremi (2014/35/EZ), kao i sa Direktivom o elektromagnetnoj kompatibilnosti (2014/30/EZ) Evropske unije.



Adekvatno korišćenje ovog proizvoda (Električni i elektronski otpad)

(Pri korišćenju ovog klima-uređaja u evropskim zemljama, obavezno je pratiti sledeća uputstva)

- Ova oznaka prikazana na proizvodu ili njenoj literaturi, navodi da električna i elektronska oprema (WEEE kao u Direktivi 2012/19/EU), ne sme se mešati sa opštim kućnim otpadom. Zabranjeno je odlagati ovaj uređaj kao kućni otpad. Za potrebe odlaganja postoji nekoliko mogućnosti:
 1. Lokalna uprava je odredila sisteme prikupljanja u okviru kojih korisnik može besplatno da odlaže elektronski otpad.
 2. Prilikom kupovine novog proizvoda, prodavac besplatno uzima stari proizvod.
 3. Proizvođač uzima natrag stari proizvod radi odlaganja na otpad, besplatno za korisnika.
 4. Budući da stari proizvodi sadrže vredne sekundarne sirovine, možete da ih prodate trgovcima otpadnim materijalima. Divlje odlaganje otpada u šume i prirodno okruženje ugrožava vaše zdravlje, jer opasne materije dospevaju u podzemne vode i tim putem u lanac ishrane.

Ovaj proizvod sadrži fluorisane gasove obuhvaćene Kjoto sporazumom.

Hemijski naziv gasa	R410A / R32
Potencijal globalnog zagrevanja (PGZ) gasa	2088 / 675
⚠ OPREZ	
1. Postavite priloženu nalepnicu sa podacima o rashladnom sredstvu neposredno uz napajanje i/ili odložite na sigurno mesto.	potrebno je sprečiti dalje curenje i što je hitnije moguće izvršiti popravku.
2. Koristeći neizbrisivo mastilo, čitkim slovima na nalepnici napišite količinu korišćenog rashladnog sredstva.	4. Jedino ovlašćeni serviseri smeju da pristupe ovom proizvodu i izvrše popravke.
3. Sprečite emisiju fluorisanog gasa iz sistema. Pobrinite se da nikako ne dođe do ispuštanja fluorisanog gasa u atmosferu tokom ugradnje, popravke ili odlaganja uređaja. Ukoliko se ustanovi da je došlo do curenja fluorisanog gasa iz sistema,	5. Svako postupanje sa fluorisanim gasom u ovom uređaju, kao na primer prilikom premeštanja proizvoda ili dopune gasa, mora biti u skladu sa (EZ) Regulativom br. 517/2014 o određenim fluorisanim gasovima sa efektom staklene bašte kao i sa relevantnim lokalnim zakonodavstvom.
	6. Za sva pitanja kontaktirajte ovlašćene prodavce, servisere itd.

Unutrašnja jedinica	Dimenzija (UJ)	Spoljašnja jedinica	Dimenzija (SJ)	Nazivni napon i Hz
42QZA009DS*	700x600x210	38QUS009DS*	770x300x555	
42QZA012DS*	700x600x210	38QUS012DS*	800x333x554	220-240V~ 50Hz
42QZA012D8S*	700x600x210	38QUS012D8S*	800x333x554	
42QZA018DS*	700x600x210	38QUS018DS*	800x333x554	

Proizvođač zadržava pravo da promeni specifikacije bilo kog svog proizvoda bez prethodne najave.

SADRŽAJ

1. PRIPREMA ZA UGRADNJU	3
1.1 Sigurnosne mere	3
1.2 Dodatna oprema	4
2. UGRADNJA UNUTRAŠNJE JEDINICE	6
2.1 Odabir mesta za ugradnju	6
2.2 Ugradnja unutrašnje jedinice	7
2.3 Kako povezati cevi i provodnike	7
2.4 Ugradnja cevi za odvod	8
3. UGRADNJA SPOLJAŠNJE JEDINICE	9
3.1 Odabir mesta za ugradnju	9
3.2 Dimenzije za ugradnju spoljašnje jedinice	9
3.3 Prostor potreban za spoljašnju jedinicu	10
3.4 Ugradnja spoljašnje jedinice	10
3.5 Ugradnja cevi za odvod za spoljašnju jedinicu	10
4. RAD CEVI ZA RASHLADNO SREDSTVO	11
4.1 Ivičenje	11
4.2 Spajanje cevi	11
4.3 Cev za rashladno sredstvo	12
4.4 Pražnjenje vazduha	12
4.5 Test curenja	12
5. OŽIČAVANJE	13
6. FINALNE OPERACIJE PROVERE I PROBNOG RADA	14
6.1 Lista za finalnu proveru	14
6.2 Ručno podešavanje	14
6.3 Probni rad	14
7. INFORMACIJE O SERVISIRANJU	15



Oprez: Rizik od požara samo za
rashladno sredstvo R32/R290

1. PRIPREMA ZA UGRADNJU

1.1 SIGURNOSNE MERE

- Ugradnja, prvo pokretanje i održavanje jedinica klima uređaja mogu biti opasni usled pritiska pod kojim se sistem nalazi, električnih komponenti i lokacije jedinica (krovovi, izdignute strukture itd).
- Ugradnju, prvo pokretanje i održavanje jedinica trebalo bi da obave isključivo obučeni, kvalifikovani serviseri.
- Tokom rada na jedinicama, vodite računa o merama predostrožnosti navedenim u dokumentaciji, kao i na etiketama, nalepnicama i oznakama koje se nalaze na uređaju.
- Poštujte sve bezbednosne standarde. Nosite zaštitne naočare i rukavice. Prilikom lemljenja imajte u blizini krpu i aparat za gašenje požara. Budite pažljivi u rukovanju, dizanju, ispuštanju i postavljanju glomazne opreme.
- Detaljno proučite ova uputstva i poštujte sva upozorenja i mere opreza koja se nalaze u dokumentaciji i na samom uređaju. Informišite se o lokalnim građevinskim propisima i nacionalnim standardima za korišćenje električnih uređaja.

UPOZORENJE

Ovaj simbol označava opasnost od povrede ili smrti.

- **Rashladni gas je teži od vazduha i potiskuje kiseonik. Veće curenje gasa može izazvati sniženje koncentracije kiseonika u vazduhu, posebno ukoliko je reč o podrumskim prostorijama, i može se javiti opasnost od gušenja što može izazvati ozbiljne povrede ili imati smrtni ishod.**
- **Ako se klima-uređaj ugrađuje u malu prostoriju, postarajte se da obezbedite odgovarajuće mere da koncentracija curenja sredstva za hlađenje ne bi prekoračila kritični nivo.**
- **Ako rashladni gas curi tokom instalacije, hitno provetrite prostoriju.**
Rashladni gas može proizvesti toksični gas ukoliko dođe u kontakt sa vatrom od uređaja kao što su izduvna grejalica, šporet ili drugi aparati za kuvanje.
Izlaganje ovom gasu može izazvati ozbiljne povrede ili smrt.
- **Isključite napajanje pre nego što pokušate da obavite bilo kakvu električnu popravku. Ispravno povežite priključni kabl.**
Neispravno povezivanje može dovesti do kvara na električnim delovima.
- **Koristite navedene kablove za električno povezivanje i prikačite žice čvrsto na priključni blok koji povezuje delove tako da spoljna sila nije napregnuta prema priključku.**
- **Obavezno obezbedite uzemljenje.**
Nemojte da vršite uzemljenje za gasovode, vodovodne cevi, gromobrane ili telefonske žice. Nepotpuno uzemljenje bi moglo da dovede do ozbiljnog rizika od električnog udara čije bi posledice mogle biti povreda ili smrt.
- **Ambalažu odložite na bezbedan način.**
Delovi ambalaže, kao što su ekseri i drugi metalni ili drveni delovi, mogu izazvati ubod ili druge povrede. Pocepajte i bacite plastičnu ambalažu da se deca ne bi igrala sa njom. Deci koja se igraju sa plastičnom ambalažom preti opasnost od gušenja.
- **Ne ugrađujte uređaj u blizini visokih koncentracija zapaljivog gasa ili gasnih isparenja.**
- **Obavezno koristite isporučene ili tačno navedene delove za ugradnju.**
Korišćenje drugih delova može dovesti do curenja vode, strujnog udara, požara ili oštećenja opreme.
- **Prilikom ugradnje ili premeštanja sistema, ne dozvolite da vazduh ili bilo koje druge supstance, osim predviđenog rashladnog sredstva (R410A/R32), uđu u rashladni ciklus.**
- **Nikad ne menjajte uređaj uklanjanjem bezbednosne zaštite ili prespajanjem bezbednosnih prekidača.**
- **Električni radovi treba da se obavljaju u skladu sa priručnikom za ugradnju i nacionalnim, državnim i lokalnim propisima u oblasti standarda za električne vodove.**
- **Postarajte se da koristite adekvatno električno kolo. Nikada nemojte deliti istu utičnicu sa drugim uređajem.**

1. PRIPREMA ZA UGRADNJU

UPOZORENJE

- Da biste izbegli opasnost usled nenamernog resetovanja termoprekidača, na napajanje ovog uređaja ne sme da se nalazi eksterni prekidač, kao što je na primer vremenski programator, niti uređaj sme da se napaja putem mreže na kojoj snabdevanje nije redovno.
- Koristite namenske kablove za povezivanje izolovane izolacionom navlakom odgovarajućeg temperaturnog indeksa. Neodgovarajući kablovi mogu da dovedu do električnih gubitaka, nepravilne proizvodnje toplote ili požara.
NAPOMENA: Sledeće informacije su potrebne za primenu R32 / R290 rashladnog sredstva.
- Uređaj treba da se čuva u prostoriji bez neprestano aktivnih izvora paljenja. (na primer: otvoreni plamen i radni uređaj na gas ili električni grejač koji radi).
- Nemojte bušiti i spaljivati uređaj.
- Imajte na umu da sredstva za hlađenje mogu da sadrže razne mirise.
- Potrebno je da se pridržavate nacionalnih propisa o gasu.
- Uređaj je potrebno skladištiti u dobro provetrenom području gde veličina sobe odgovara području prostorije za rad, kako je prethodno navedeno.
- Uređaj treba da se postavi, da se njime rukuje i skladišti u prostoriji sa površinom poda većom od $X \text{ m}^2$, montaža cevi se mora čuvati na najmanje $X \text{ m}^2$ (pogledajte sledeći obrazac).
- Uređaj se ne sme postavljati u neuređenom prostoru, ako je taj prostor manji od $X \text{ m}^2$ (pogledajte sledeći obrazac). Prostorije gde cevi za hlađenje moraju biti u skladu sa nacionalnim propisima o gasu.

Model (Btu/h)	Količina rashladnog sredstva za punjenje (kg)	maksimalna visina instalacije (m)	Minimalna površina prostorije (m^2)
≤30000	≤2,048	1,8 m	4
		0,6 m	35
30000-48000	2,048-3,0	1,8 m	8
		0,6 m	80
>48000	>3,0	1,8 m	9
		0,6 m	80

Napomena o fluorisanim gasovima

- Ova jedinica za klimatizaciju sadrži fluorisane gasove. Za specifične informacije o vrsti gasa i količini, pogledajte odgovarajuću etiketu na samoj jedinici.
- Montažu, servisiranje, održavanje i popravku ove jedinice mora obaviti sertifikovani tehničar.
- Deinstalaciju proizvoda i reciklažu mora obaviti sertifikovani tehničar.
- Ako sistem ima instaliran sistem za otkrivanje curenja, svakih 12 meseci mora se proveriti da li je bilo curenja.
- Kada se jedinica proverava da li ima curenja, preporučuje se pravilno obavljanje svih provera.

1. PRIPREMA ZA UGRADNJU



Ovaj simbol ukazuje na mogućnost oštećenja imovine ili ozbiljnih posledica.

- Da biste izbegli povrede, budite pažljivi kada rukujete delovima sa oštrim ivicama.
- Ne ugrađujte unutrašnju ili spoljašnju jedinicu na lokacijama sa posebnim klimatskim uslovima.
- Ne ugrađujte na mestu koje može da pojača nivo buke ili gde buka i izlazni vazduh mogu da smetaju susedima.
- Omogućite bezbedan rad cevi/odvodnog sistema u skladu sa priručnikom za ugradnju.
Neadekvatno instaliran sistem za odlivanje može dovesti do curenja vode i oštećenja imovine.
- Nemojte instalirati klima-uređaj na sledeća mesta.
 - Mesto gde ima naftnih derivata ili arsenatne kiseline.
 - Mesto gde korozivni gas (kao što je sumporasta kiselina) ili zapaljivi gas (kao što je razređivač) može da se akumulira ili skuplja, ili gde se radi sa promenljivim zapaljivim supstancama.
 - Mesto gde se nalazi oprema koja stvara elektromagnetna polja ili zvučne tonove visokih frekvencija.

1.2 DODATNA OPREMA

Sledeća dodatna oprema se dobija zajedno sa uređajem. Vrsta i kvantitet se mogu razlikovati zavisno od specifikacija.

Naziv dodatne opreme	Kol. (komadi)	Oblik	Korišćenje
Priručnik	3		<Uputstvo za ugradnju>, <Korisničko uputstvo>, <Uputstvo za korišćenje daljinskog upravljača> (ili <Uputstvo za korišćenje žičanog upravljača>)
Zaptivač	1		Pričvrstite otvor za odvod vode za spoljašnju jedinicu.
Otvor za odvod vode	1		Povežite odvodno crevo sa spoljašnjom jedinicom.
Filter steznika	1		Radi usaglašavanja sa EMC standardima (Koristi se kod unutrašnjih/spoljašnjih prenosnih vodova)
Kuka	2		Za ugradnju

Sledeća dodatna oprema se odnosi na daljinski upravljač.

Naziv dodatne opreme	Kol. (komadi)	Oblik	Korišćenje
Daljinski upravljač	1		Za daljinsko upravljanje klima-uređajem
Nosač daljinskog upravljača	1		Da bi se daljinski upravljač držao na zidu
Samourezni vijak	2		Da bi se popravio držač daljinskog upravljača
Baterija	2		Za daljinski upravljač

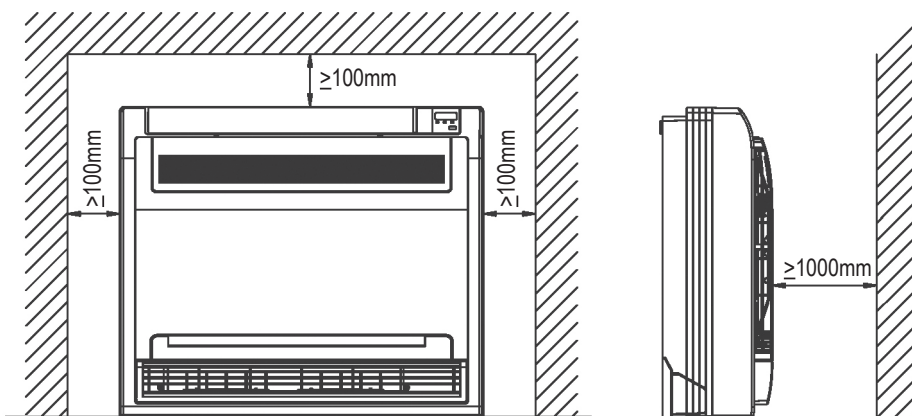
Napomena: Dodatna oprema vezana za daljinski upravljač neće biti dostupna za modele sa žičanim upravljačem. Za dodatnu opremu za žičani upravljač, pogledajte priloženi priručnik za upotrebu žičanog upravljača.

2. UGRADNJA UNUTRAŠNJE JEDINICE

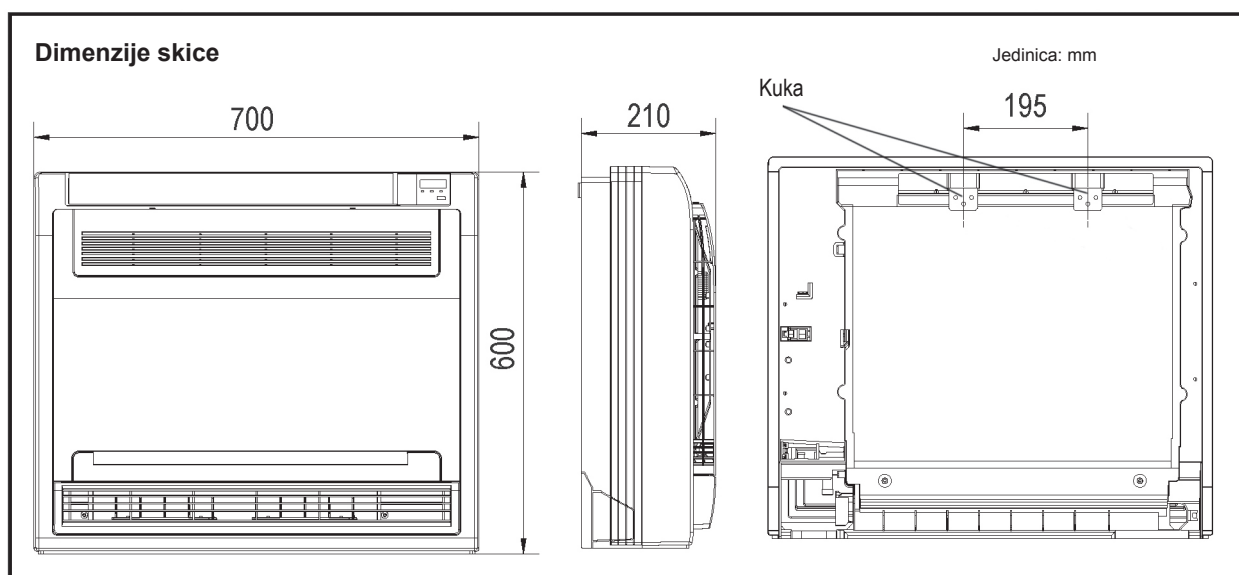
2.1 ODABIR MESTA ZA UGRADNJU

UNUTRAŠNJA JEDINICA

- Mesto koje je van direktne sunčeve svetlosti.
- Mesto gde nema blokade protoka vazduha.
- Mesto gde je omogućeno optimalno strujanje vazduha.
- Mesto gde kondenzat može precizno i sigurno da ode u odvod.
- Instalirajte unutrašnju jedinicu na zid/plafon koji je otporan na vibracije i dovoljno jak da drži težinu proizvoda.
- Ostavite dovoljno čistog prostora oko unutrašnje jedinice za održavanje i popravku.
- Mesto gde vazdušni filter može lako da se ukloni i očisti.
- Mesto gde su cevi između unutrašnjih i spoljašnjih jedinica u okviru dozvoljenih granica.
- Ugradite unutrašnju jedinicu tako da bude 1 m ili više udaljena od TV-a ili radija da biste sprečili distorziju ekrana ili zvuka koje ovi uređaji stvaraju.
- Ugradite unutrašnju jedinicu što je dalje moguće od fluorescentnih i užarenih svetiljki tako da i daljinski upravljač može normalno da se koristi.



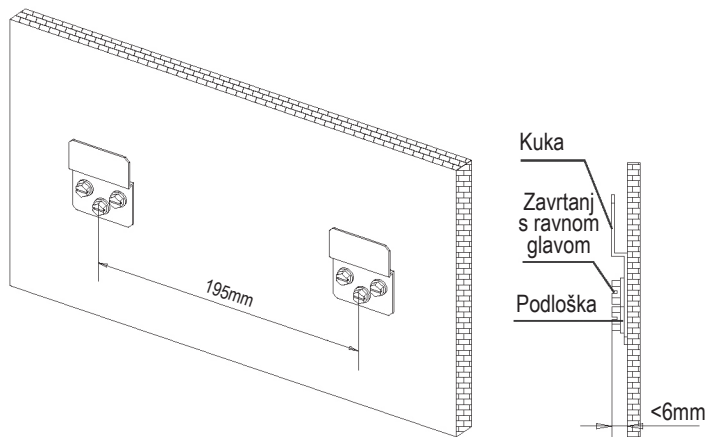
PROSTOR POTREBAN ZA UNUTRAŠNJU JEDINICU



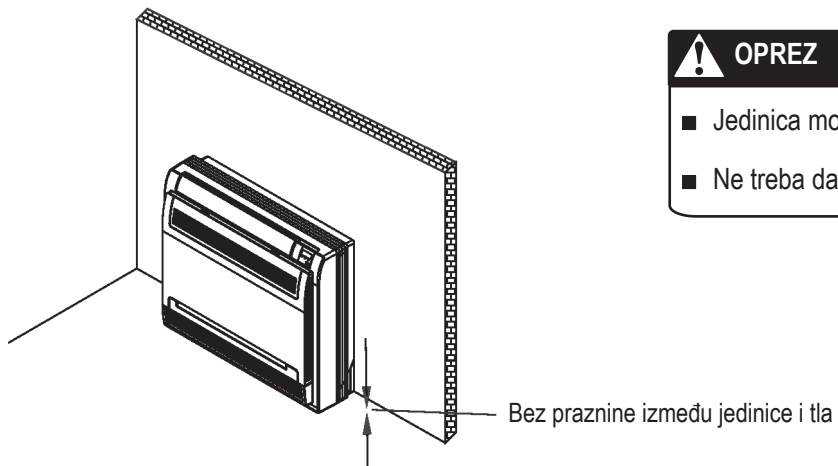
2. UGRADNJA UNUTRAŠNJE JEDINICE

2.2 UGRADNJA UNUTRAŠNJE JEDINICE

2.2.1 Pričvrstite kuku uz pomoć zavrtnja s ravnom glavom na zid.



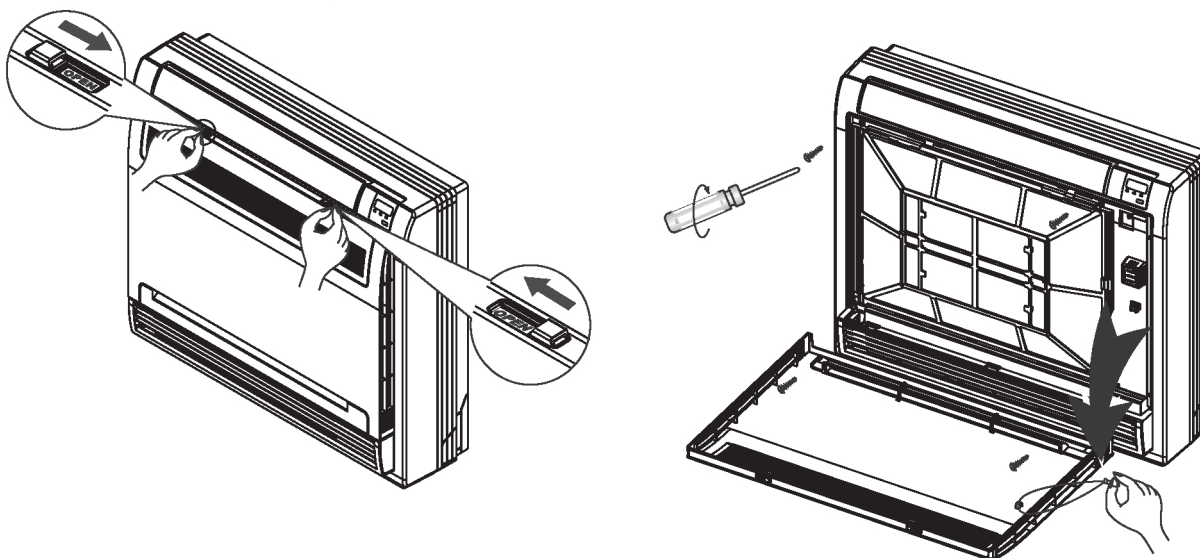
2.2.1 Okačite unutrašnju jedinicu na kuku.



2.3 KAKO POVEZATI CEVI I PROVODNIKE

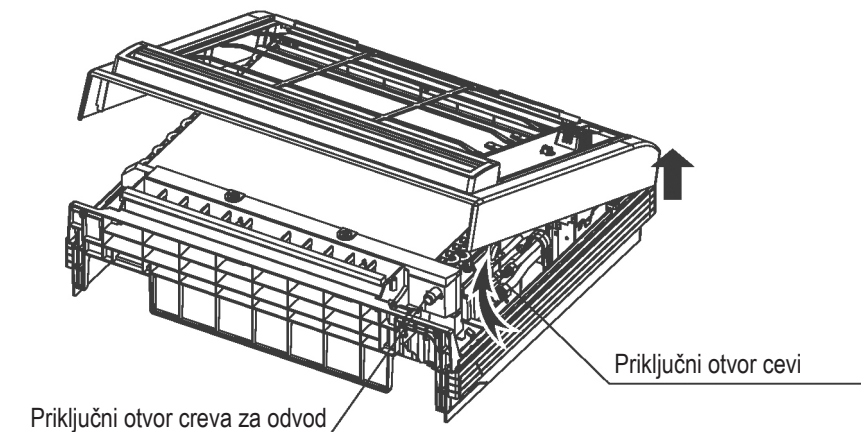
2.3.1 Pogurajte dva preklopnika istovremeno, a potom otvorite ploču.

2.3.2 Uklonite žicu i skinite ploču.

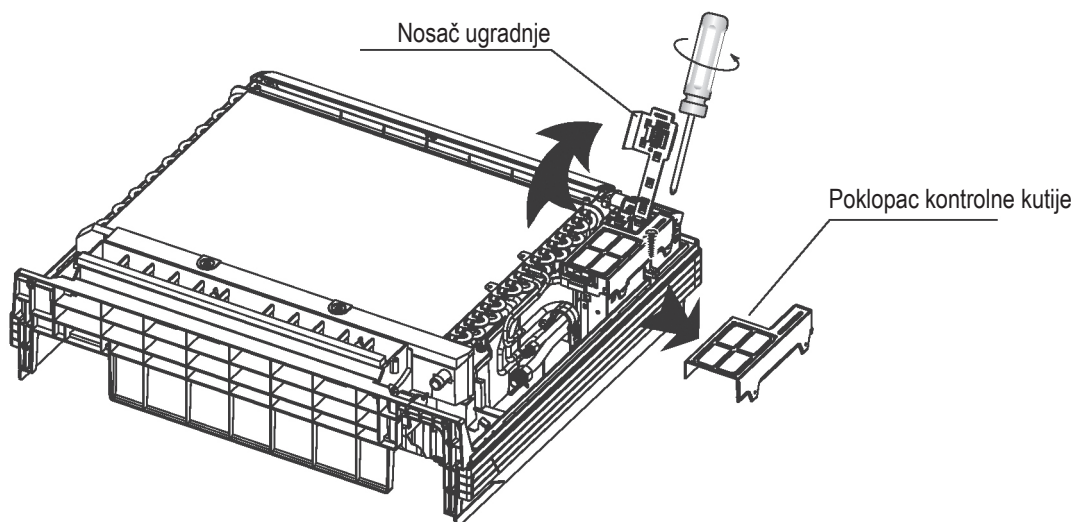


2. UGRADNJA UNUTRAŠNJE JEDINICE

2.3.3 Uklonite 4 zavrtnja, a potom uklonite okvir sa donje strane. Priključni otvor cevi i priključni otvor creva za odvod mogu se videti pošto se skinu okvir.

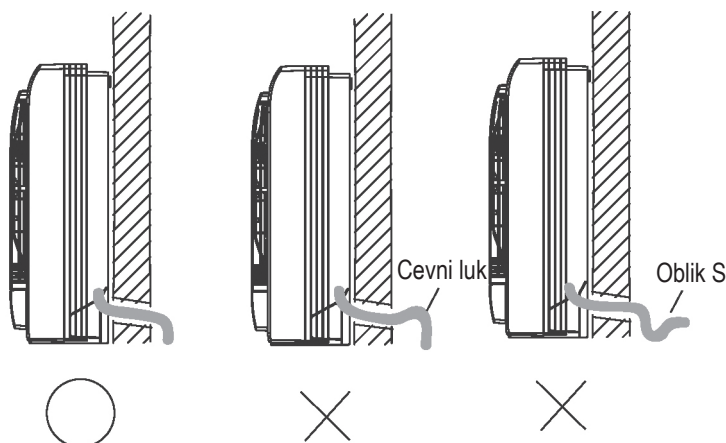


2.3.4 Uklonite nosač ugradnje, a potom skinite poklopac kontrolne kutije. Može se videti kraj provodnika.



2.4 UGRADNJA CEVI ZA ODVOD

Odvodni prostor ne sme da ima zagušenje u bilo kom svom delu po dužini, mora imati nagib nadole i mora biti izolovan do spoljnog zida.

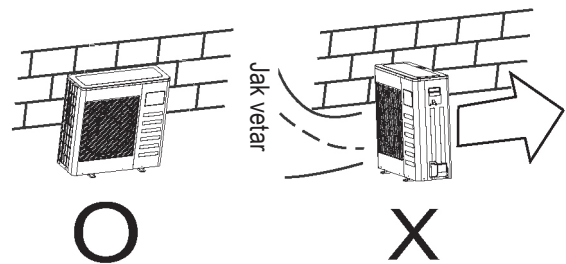


3. UGRADNJA SPOLJAŠNJE JEDINICE

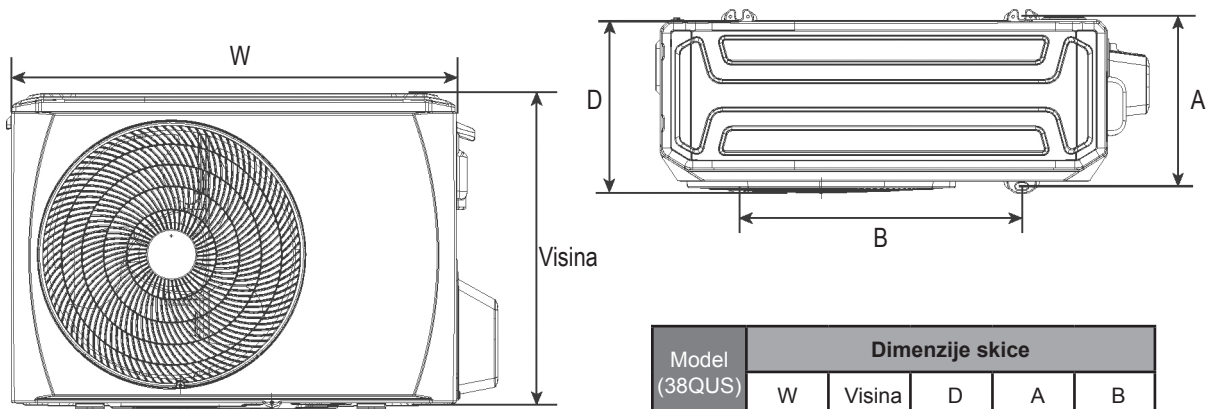
3.1 ODABIR MESTA ZA UGRADNJU

SPOLJAŠNJA JEDINICA

- Mesto gde nema kiše i direktne sunčeve svetlosti.
- Mesto gde postoji dobra ventilacija i nema prepreka pored otvora za ulaz i izlaz vazduha.
- Mesto koje ne povećava buku pri radu od spoljašnje jedinice.
- Mesto koje ne dovodi do problema sa curenjem zbog ispuštene vode.
- Ugradite spoljašnju jedinicu na mestu koje je dovoljno izdržljivo da podnese težinu spoljašnje jedinice.
- Mesto gde postoje odgovarajući čisti prostori kao što je skicirano
- Mesto gde su cevi između unutrašnjih i spoljašnjih jedinica u okviru dozvoljenih granica.
- U oblastima sa dosta snega i sa hladnim temperaturama, izbegavajte ugradnju spoljašnje jedinice negde gde može biti pokrivena snegom. Ako se očekuje jak sneg, treba da se instaliraju skretnice leda i vetra sa spoljne strane da bi se jedinica zaštitila od akumulacije snega i da bi se blokirao ulaz vazduha.
- Pri ugradnji spoljašnje jedinice na mestu koje je stalno izloženo hladnom vetru, preporučuje se da se koristi skretnica za vetar.



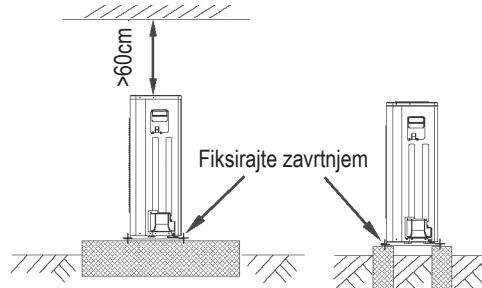
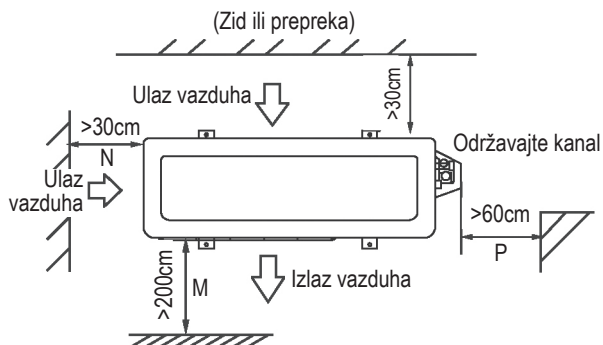
3.2 DIMENZIJE ZA UGRADNJU SPOLJAŠNJE JEDINICE



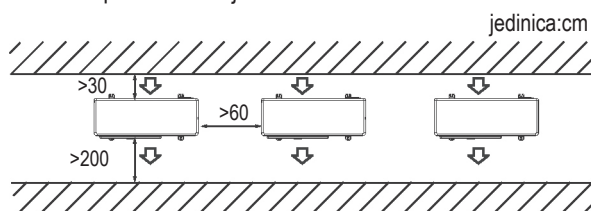
3. UGRADNJA SPOLJAŠNJE JEDINICE

3.3 PROSTOR POTREBAN ZA SPOLJAŠNJU JEDINICU

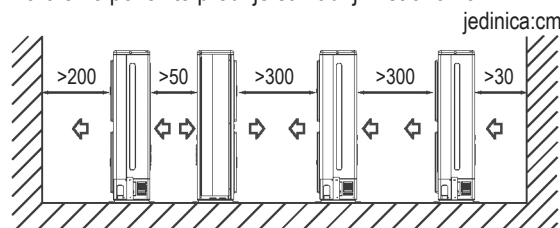
Ugradnja jedne jedinice



Paralelno povežite dve jedinice ili više

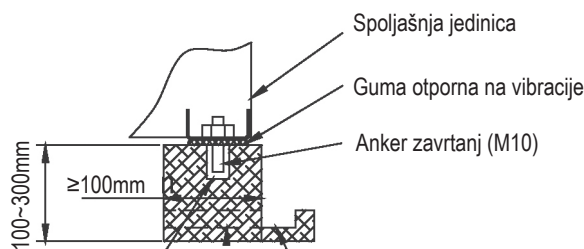


Paralelno povežite prednje sa zadnjim stranama.



3.4 UGRADNJA SPOLJAŠNJE JEDINICE

- Pre ugradnje, proverite jačinu i horizontalnost osnove tako da se ne stvara nenormalan zvuk.
- Fiksirajte osnovu čvrsto uz pomoć anker zavrtneva (M10) da bi se sprečio njen kolaps.
- Ugradite gumu za osnovu i gumu otpornu na vibracije da biste direktno podržavali površinu fiksirajućeg postolja koje je u kontaktu sa donjom pločom spoljašnje jedinice.

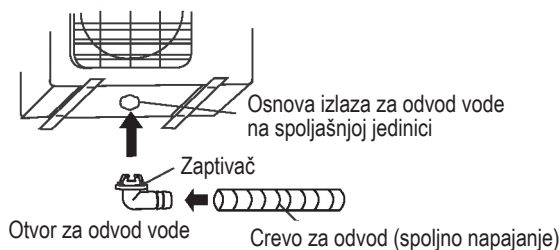


Otvor za malter (Ø100 mm x dubina 150 mm)

Odvodni sistem (širina 100mm x dubina 150mm)

3.5 UGRADNJA CEVI ZA ODVOD ZA SPOLJAŠNJU JEDINICU

- Povežite otvor za odvod sa produžetkom creva za odvod
- Postavite zaptivku na odvodni nastavak.
- Ubacite odvodni nastavak u osnovu izlaza za odvod vode na spoljašnjoj jedinici i rotirajte ga 90 stepeni da biste ih povezali na bezbedan način.



4. RAD CEVI ZA RASHLADNO SREDSTVO

OPREZ

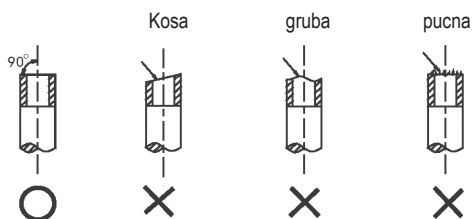
- Proverite da li su razlika u visini između unutrašnje i spoljašnje jedinice i ukupna dužina cevi rashladnog uređaja u skladu sa sistemskim zahtevima.
- Rad cevi rashladnog uređaja prati ugradnju spoljašnje i unutrašnje jedinice, povezuje se cev najpre sa unutrašnje, a potom sa spoljašnje strane.
- Uvek držite krajeve cevi zatvorene sa čepom ili prekrivene trakom tokom ugradnje i NEMOJTE da ih sklonite dok niste spremni da povežete cev.
- Postarajte se da izolujete sve spoljne cevi celom dužinom do priključka cevi unutar jedinice. Svaka izložena cev može da dovede do kondenzacije ili do opekotina ako se dotakne.

4.1 IVIČENJE

NAPOMENA

- Alati potrebni za ivičenje su rezač cevi, provrtač, alat za ivičenje i držač cevi.
- Za modele rashladnih sredstava R32, tačke priključivanja cevi se moraju postaviti izvan prostorije.

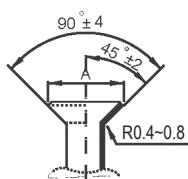
4.1.1 Koristeći rezač cevi isecite cev do potrebne dužine. Postarajte se da odsečena ivica ostaje pod uglom od 90° sa stranom cevi.



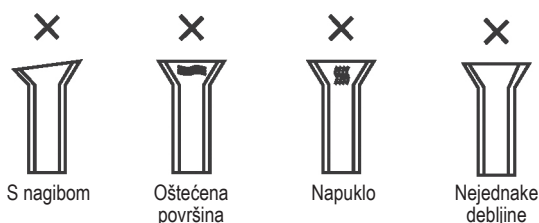
4.1.2 Koristite provrtač da uklonite pucne sečenjem tako što je površina okrenuta nadole da otpaci ne uđu u cev.

4.1.3 Izvršite ivičenje koristeći alate za njih kako je navedeno ispod.

Spoljni prečnik	A (mm)	
	Maks.	Min
Ø6.35mm	8,7	8,3
Ø9.52mm	12,4	12,0
Ø12.7mm	15,8	15,4
Ø15.88mm	19,0	18,6
Ø19.05mm	23,3	22,9

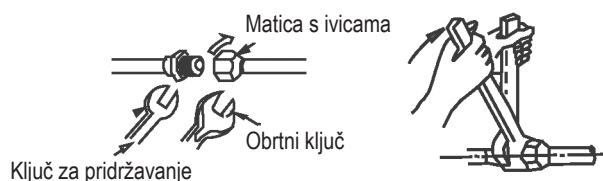


4.1.4 Proverite da li je ivičenje obavljeno na adekvatan način. Pogledajte nepravilno ivičenje cevi u primerima ispod.



4.2 SPAJANJE CEVI

4.2.1 Podesite centar da biste pričvrstili maticu sa ivicama i završite spajanje koristeći dva ključa za pridravanje.



Veličina cevi	Jačina
Ø6.35mm	18 ~ 20 N.m
Ø9.52mm	25 ~ 26 N.m
Ø12.7mm	35 ~ 36 N.m
Ø15.88mm	45 ~ 47 N.m
Ø19.05mm	65 ~ 67 N.m

4.2.2 Odaberite odgovarajući izolacioni materijal za cev rashladnog sredstva. (Min. 10mm, pena za toplotnu izolaciju C)

- Koristite različite cevi za toplotnu izolaciju za cevi za gas i cevi za tečnost.
- Gore navedena debljina predstavlja standard za unutrašnju temperaturu od 27°C i vlažnost od 80%. Ako se ugradnja obavlja u nepovoljnim uslovima kao što je blizina kupatila, kuhinje i druge slične lokacije, pojačajte izolaciju.
- Otpornost izolacije na temperaturu treba da bude viša od 120°C.
- Koristite adhezivna sredstva na spojnom delu izolacije da biste sprečili ulazak vlage.
- Popravite i pokrijte sve potencijalne pukotine na izolaciji, a posebno proverite savijeni deo ili držač cevi.

OPREZ

- U slučaju da je potrebno lemljenje, radite sa azotnom duvaljkom.
- Neodgovarajuća dužina će dovesti do oštećenja ivica ili do curenja gasa.

4. RAD CEVI ZA RASHLADNO SREDSTVO

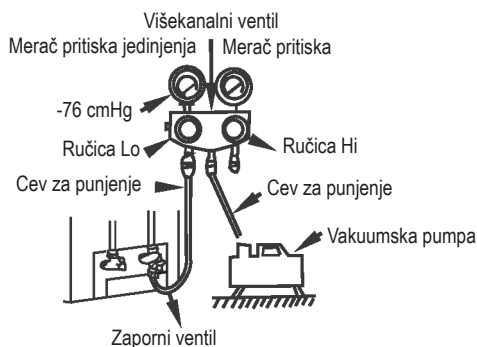
4.3 CEV ZA RASHLADNO SREDSTVO

Model (38QUS)	Strana za tečnost	Strana za gas	Dozvoljena dužina cevi (m)	Maks. razlika u visini (m)	Punjenje za manje dužine (m)	Dodatno punjenje po metru (R410A/R32)
009/012	Ø6,35mm	Ø9.52mm	25	10	5	15/12 g/m
018	Ø6,35mm	Ø12.7mm	30	20	5	15/12 g/m

NAPOMENA: 1) Koristite alate za R410A / R32 sistem kako je potrebno;
2) Kada je dužina cevi veća od 5m, treba da se doda još rashladne tečnosti u skladu sa dužinom cevi.

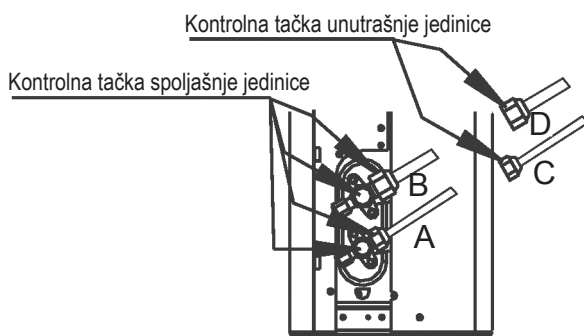
4.4 PRAŽNENJE VAZDUHA

- Povežite cev za punjenje od višekanalnog merača pritiska do dovodnog ulaza strane za gas zapornog ventila.
- Povežite cev za punjenje sa ulazom vakumske pumpe.
- Potpuno otvorite ručicu Lo višekanalnog merača pritiska.
- Radite sa vakumskom pumpom na evakuaciji vazduha iz sistema do 76 cmHg.
- Zatvorite ručicu Lo višekanalnog merača pritiska.
- Potpuno otvorite telo ventila zapornih ventila.
- Uklonite cev za punjenje od dovodnog ulaza.
- Dobro pritegnite poklopce zapornih ventila.



4.5 TEST CURENJA

Nakon što je završen rad na cevi, postarajte se da proverite spojni deo svake cevi sa rashladnim sredstvom i da se uverite da nema curenja gasa tako što ćete staviti sapunjavu vodu na njih ili ćete koristiti detektor curenja za HCF rashladna sredstva. Pogledajte sliku ispod kao ilustraciju



- A: Ventil za zatvaranje niskog pritiska
B: Ventil za zatvaranje visokog pritiska
C i D: Matice sa ivicama unutrašnje jedinice

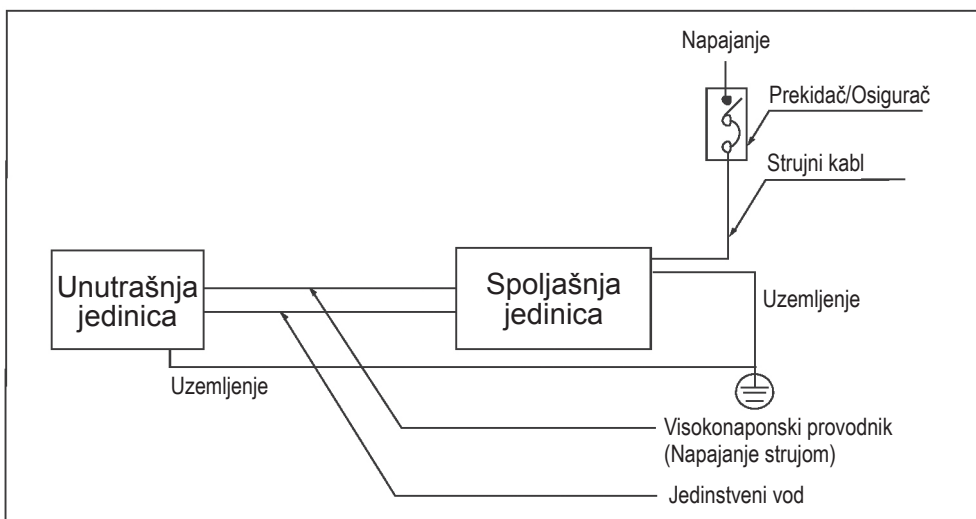
5. OŽIČAVANJE

OPREZ

- Sva električna povezivanja moraju se sprovesti od strane kvalifikovanih lica i svi provodnici se moraju povezati u skladu sa shemom ožičavanja.
- Napravite uzemljenje pre svih drugih električnih povezivanja.
- Svi izvori struje moraju biti isključeni pre ožičavanja i nemojte uključivati struju dok se ne uverite da su svi električni vodovi provereni u pogledu bezbednosti.
- Glavni prekidač i sigurnosni prekidač ili osigurač moraju biti instalirani, a kapacitet treba da bude preko 1,5 puta veći od jačine maksimalne struje u kolu.
- Struja pojedinačnog odvoda i pojedinačna utičnica koje se koriste samo za ovaj uređaj moraju biti raspoložive.
- Presek provodnika zavisi od nazivne struje kao i nacionalnih, državnih i lokalnih propisa u oblasti kodova za električne vodove. Informišite se o lokalnim građevinskim propisima i nacionalnim standardima za korišćenje električnih uređaja.
- Ako je strujni kabl oštećen, može ga zameniti samo proizvođač, serviser ili drugo kvalifikovano lice kako bi se izbegao bilo kakav rizik.
- Jedinica mora biti povezana sa glavnom jedinicom za napajanje putem sigurnosnog prekidača kola ili prekidača sa kontaktnim odvajanjem od barem 3 mm na svim polovima. Preporučuje se ugradnja diferencijalne sklopke (RCD) sa maksimalnom diferencijalnom strujom koja ne premašuje 30 mA.

5.1 NAPAJANJE SA SPOLJNE STRANE

- Slika provodnika



- Napajanje strujom i specifikacija prenosnih vodova

Režim rada (Btu/h)		9k	12k	18k
Napajanje	Faza	1-fazno	1-fazno	1-fazno
	Frekvencija i napon	220-240 V~ 50 Hz	220-240 V~ 50 Hz	220-240 V~ 50 Hz
Nominalna struja		10 A	10 A	11 A
Nazivna struja osigurača (napajanje)		20 A	20 A	20 A
Kabl za napajanje (napajanje)		H07RN-F; 3×2,5 mm ²	H07RN-F; 3×2,5 mm ²	H07RN-F; 3×2,5 mm ²
Povezivanje unutrašnjeg / spoljnog ožičenja (napajanje)		H07RN-F; 4×1,5 mm ²	H07RN-F; 4×1,5 mm ²	H07RN-F; 4×2,5 mm ²

NAPOMENA O SPECIFIKACIJAMA OSIGURAČA:

(primenjivo na jedinice koje koriste samo R32 rashladno sredstvo, a da je osigurač izrađen od keramike.)

1. Specifikacija osigurača spoljne jedinice je T20A/250VAC (za <24000Btu/h jedinica), T30A/250VAC (za >24000Btu/h jedinica)
2. Specifikacija osigurača za unutrašnju jedinicu je T5A/250VAC, T10A/250VAC.

6. FINALNE OPERACIJE PROVERE I PROBNOG RADA

6.1 LISTA ZA FINALNU PROVERU

Da biste dovršili ugradnju, izvršite sledeće provere pre puštanja u probni rad.

- Jačina mesta ugradnje kako spoljašnjih tako i unutrašnjih strana potvrđuje nepostojanje prepreka za izlaz vazduha iz jedinice i ulaz.
- Zbijenost u pogledu povezanosti cevi za rashladno sredstvo i provera izostanka curenja
- Električno ožičavanje je izvršeno adekvatno i jedinica je dobila uzemljenje
- Proverite ukupnu dužinu cevi i izmerite količinu dodatno dopunjenog rashladnog sredstva
- Napajanje treba da bude usklađeno sa nazivnim naponom klima-uređaja
- Izolacija cevi
- Odlivanje

6.2 RUČNO PODEŠAVANJE

Ručno podešavanje se može koristiti pritiskom tastera za ručno podešavanje na ekranu.

Pritisnite taster za ručno podešavanje više puta kako biste menjali režime rada na sledeći način:

- Jednom = AUTOMATSKI režim rada [grejanje, hlađenje ili ventilator, 24°C i automatska brzina ventilatora.
- Dvaput = režim HLAĐENJA [prebacite na AUTOMATSKI režim posle 30 minuta (najviše se koristi kod probnog rada)]
- Tri puta = isključeno (OFF)

6.3 PROBNI RAD

Postavite klima-uređaj u režim HLAĐENJA pomoću daljinskog upravljača (ili tastera za ručno podešavanje) i proverite radni status kako spoljašnje tako i unutrašnje jedinice. U slučaju nepravilnog rada, rešite ga u skladu sa poglavljem „Rešavanje problema“ u „Priručniku za popravke“.

Unutrašnja jedinica

- Da li tasteri (kao što su ON/OFF, MODE, TEMPERATURE, FAN SPEED itd.) na daljinskom upravljaču rade na adekvatan način.
- Da li se poklopac za usmeravanje vazduha normalno pokreće.
- Da li je sobna temperatura dobro podešena.
- Da li kontrolne lampice na ekranu normalno funkcionišu.
- Da li taster za ručno podešavanje radi normalno.
- Da li je odlivanje normalno.
- Da li postoji vibriranje ili neobična buka tokom rada.
- Da li unutrašnja jedinica radi normalno u režimima rada GREJANJE ili HLAĐENJE.

Spoljašnja jedinica

- Da li postoji vibriranje ili neobična buka tokom rada.
- Da li vetar, buka ili stvorena kondenzacija uznemiravaju vaše susede.
- Da li ima curenja rashladnog sredstva.



OPREZ

- Pri ponovnom pokretanju jedinice, dolazi u proseku do 3 minuta kašnjenja pre početka rada radi bezbednosti.

7. INFORMACIJE O SERVISIRANJU

7.1 PROVERA PODRUČJA

Pre nego što počnete sa radom na sistemima koji sadrže zapaljiva rashladna sredstva, potrebno je obaviti bezbednosne provere, kako biste se uverili da je rizik od požara sveden na najmanju moguću meru. Kada je u pitanju popravka sistema za hlađenje, pre nego što započnete bilo kakve radnje na sistemu, preduzmite sledeće mere predostrožnosti.

7.2 PROCEDURE RADA

Rad vršite u skladu sa kontrolisanom procedurom, kako bi se rizik od prisustva zapaljivog gasa ili isparenja tokom vršenja rada sveo na najmanju moguću meru.

7.3 OPŠTE PODRUČJE RADA

Sve osoblje koje se bavi održavanjem kao i ostala lica koja rade u okruženju moraju da budu obaveštena o prirodi posla koji se obavlja. Treba izbegavati rad u zatvorenim prostorima. Treba zabraniti pristup području oko prostora rada. Pobrinite se za to da su uslovi u okruženju bezbedni, zahvaljujući kontroli zapaljivih materijala.

7.4 PROVERA PRISUSTVA RASHLADNOG SREDSTVA

Pre započinjanja rada potrebno je proveriti područje odgovarajućim detektorom rashladnog sredstva, kako bi tehničar bio svestan prisustva potencijalno zapaljivog okruženja. Pobrinite se za to da primenjena oprema za detekciju curenja bude adekvatna za upotrebu sa zapaljivim rashladnim sredstvima, odnosno da nema varnica, da je adekvatno zaptivena ili suštinski bezbedna.

7.5 PRISUSTVO APARATA ZA GAŠENJE POŽARA

Ako je potrebno vršiti radove na rashladnoj opremi ili bilo kojim povezanim delovima, a koji podrazumevaju visoku temperaturu, mora da bude dostupna oprema za gašenje požara. U području punjenja imajte aparat za gašenje požara sa suvim prahom ili aparat sa CO₂.

7.6 BEZ IZVORA PLAMENA

Nijedno lice koje vrši radove u vezi sa rashladnim sistemom, a koji podrazumevaju izlaganje cevi koji sadrže ili su sadržavale zapaljiva rashladna sredstva, ne sme da koristi nikakav izvor plamena na način koji može da dovede do rizika od požara ili eksplozije. Svi mogući izvori plamena, uključujući i pušenje cigareta, moraju da budu dovoljno daleko od područja ugradnje, popravke, uklanjanja ili odlaganja, jer može da dođe do oslobađanja zapaljivog rashladnog sredstva u okolni prostor. Pre nego što započnete sa radom, proverite okruženje opreme i uverite se u to da nema opasnosti od zapaljivih materijala niti rizika od plamena. Potrebno je postaviti znak „ZABRANJENO PUŠENJE“.

7.7 PROVETRENO PODRUČJE

Pobrinite se da područje rada bude na otvorenom ili da je dovoljno provetreno pre nego što otvorite sistem ili preduzmete radnje koje zahtevaju visoku temperaturu. Određeni stepen ventilacije mora da bude na snazi tokom perioda izvođenja radova. Ventilacija bi trebalo bezbedno da rasprši sve oslobođeno rashladno sredstvo i izbaci ga u atmosferu.

7.8 PROVERA RASHLADNE OPREME

Prilikom zamene električnih komponenti, one moraju da odgovaraju nameni i specifikacijama. U svakom trenutku je obavezno praćenje smernica proizvođača u vezi sa održavanjem i servisiranjem. Ukoliko imate nedoumice, obratite se za pomoć tehničkom odeljenju proizvođača. Potrebno je izvršiti sledeće provere na instalacijama koje sadrže zapaljiva rashladna sredstva:

7. INFORMACIJE O SERVISIRANJU

- količina punjenja je u skladu sa veličinom prostorije u kojoj se ugrađuju delovi koji sadrže rashladno sredstvo;
- ventilacija i odvodi rade adekvatno i nemaju prepreke;
- ako koristite indirektno rashladno kolo, potrebno je proveriti prisustvo rashladnog sredstva u sekundarnim kolima; označavanje opreme mora da bude vidljivo i čitko.
- oznake i znaci koji nisu čitki moraju da se isprave;
- cev za rashlađivanje ili komponente se ugrađuju na mestu gde je mala verovatnoća da budu izloženi supstancama koje mogu da izazovu koroziju komponenti koje sadrže rashladno sredstvo, pod uslovom da komponente nisu izrađene od materijala koji su sami po sebi otporni na koroziju ili su na odgovarajući način zaštićeni od nje.

7.9 PROVERA ELEKTRIČNIH UREĐAJA

Popravka i održavanje električnih komponenti će obuhvatati početne bezbednosne provere i procedure provere komponenti. Ukoliko postoji kvar koji bi mogao da ugrozi bezbednost, nemojte priključivati kolo na napajanje sve dok ne rešite tu situaciju. Ukoliko se kvar ne može odmah ispraviti, već je neophodno nastaviti sa radom, primenite adekvatno privremeno rešenje. To je potrebno prijaviti vlasniku opreme, kako bi sve strane bile upozorene.

Početne bezbednosne provere:

- svi kondenzatori su ispražnjeni: to će se izvršiti na način kojim se izbegava mogućnost stvaranja varnica
- nema električnih komponenti pod naponom niti izloženih žica tokom punjenja, pražnjenja ili čišćenja sistema;
- uzemljenje nije prekinuto.

7.10 POPRAVKE ZAPTIVENIH KOMONENTI

- 10.1 Tokom popravki zaptivenih komponenti, isključite sve strujno napajanje sa opreme na kojoj radite pre nego što uklonite bilo koji zaptiveni poklopac i sl. Ukoliko je apsolutno neophodno imati strujno napajanje na opremi tokom servisiranja, postavite trajno aktivni oblik detekcije curenja na najkritičniju tačku, kako biste bili upozoreni na potencijalno opasnu situaciju.
- 10.2 Potrebno je obratiti naročitu pažnju na sledeće, kako tokom rada na električnim komponentama ne bi došlo do promene kućišta koje bi uticalo na nivo zaštite. To obuhvata oštećenje kablova, prekomerni broj priključaka, terminale koji nisu napravljeni po originalnim specifikacijama, oštećenja zaptivanja, neadekvatno montiranje zaptivnog materijala itd.
 - Pobrinite se za to da se uređaj bezbedno ugradi.
 - Pobrinite se za to da zaptivači ili zaptivni materijali nisu degradirali do te mere da više ne služe svrsi, odnosno ne sprečavaju prolazak zapaljivih materija u okruženje. Rezervni delovi će se montirati u skladu sa specifikacijama proizvođača.

NAPOMENA: Upotreba silikonskog zaptivača može nepoželjno da utiče na efikasnost nekih tipova opreme za zaštitu od curenja. Komponente koje su bezbedne same po sebi ne moraju da se izoluju pre nego što počnete da radite na njima.

7.11 POPRAVKA KOMONENTI KOJE SU BEZBEDNE SAME PO SEBI

Nemojte primenjivati nikakva trajna induktivna ili kapacitativna punjenja na kola pre nego što se uverite da to neće premašiti napon i struju dozvoljene za opremu koju koristite. Komponente koje su bezbedne same po sebi su jedini tipovi komponenti na kojima se sme raditi pod naponom u prisustvu zapaljivih materijala. Aparat za testiranje treba da bude na ispravnoj vrednosti. Komponente zamenite samo delovima koje je odredio proizvođač. Drugi delovi mogu da dovedu do zapaljenja sredstva za hlađenja u okruženju, usled curenja.

7. INFORMACIJE O SERVISIRANJU

7.12 KABLOVI

Utvrdite da kablovi neće biti izloženi habanju, koroziji, prekomernom pritisku, vibraciji, oštrim ivicama niti drugim štetnim uticajima u okruženju. Ova provera treba da uzme u obzir i uticaj starenja ili neprekidne vibracije izvora poput kompresora ili ventilatora.

7.13 DETEKCIJA ZAPALJIVIH RASHLADNIH SREDSTAVA

Za traženje ili detekciju curenja rashladnog sredstva ni u kom slučaju nije dozvoljeno koristiti izvore plamena. Nije dozvoljeno koristiti detektore za halogen (niti bilo koji drugi detektor sa otvorenim plamenom).

7.14 NAČINI DETEKCIJE CURENJA

Sledeći načini detekcije curenja se smatraju prihvatljivim za sisteme koji sadrže zapaljiva rashladna sredstva. Elektronski detektori curenja se smeju koristiti za detekciju zapaljivih rashladnih sredstava, ali njihova osetljivost možda neće biti adekvatna ili će im biti potrebna ponovna kalibracija. (Oprema za detekciju treba da se kalibriše u području u kom nema rashladnog sredstva.) Pobrinite se za to da detektor ne bude potencijalni izvor plamena i da je adekvatan rashladnom sredstvu. Opremu za detekciju curenja podesite na procenat LFL-a (donje granice zapaljivosti) sredstva za detekciju i kalibrišite u odnosu na primenjeno rashladno sredstvo, pa potvrdite odgovarajući procenat gasa (najviše 25%). Tečnosti za detekciju curenja su adekvatne za upotrebu sa većinom rashladnih sredstava, ali je potrebno izbegavati upotrebu deterdženata koji sadrže hlor, jer hlor može da reaguje sa rashladnim sredstvom i izazove koroziju bakarnih cevi. Ukoliko sumnjate na postojanje curenja, uklonite ili ugasite svaki otvoreni plamen. Ako otkriveno curenje rashladnog sredstva zahteva lemljenje, izvucite sve rashladno sredstvo iz sistema ili ga izolujte (pomoću ventila za zatvaranje) u deo sistema koji je udaljen od mesta curenja. Azot bez kiseonika (OFN) treba pustiti kroz sistem, i pre i tokom procesa lemljenja.

7.15 UKLANJANJE I PRAŽNENJE

Kada otvarate rashladno kolo da biste izvršili popravke bilo koje vrste, uvek pratite uobičajene procedure. Međutim, uvek je važno pratiti najbolju praksu, jer treba uzeti u obzir i zapaljivost. Pratite sledeću proceduru:

- uklonite rashladno sredstvo;
- isperite kolo inertnim gasom;
- ispraznite ga;
- ponovo ga isperite inertnim gasom;
- otvorite kolo sečenjem ili lemljenjem.

Punjenje rashladnim sredstvom će se vratiti u odgovarajuće cilindre za dopunjavanje. Isperite sistem OFN-om da bi jedinica bila bezbedna. Možda ćete morati da ponovite ovaj proces više puta.

Za ovaj zadatak nemojte koristiti komprimovani vazduh niti kiseonik.

Ispiranje možete da izvršite prekidom vakuuma u sistemu pomoću OFN-a i nastavljanjem punjenja sve dok ne postignete radni pritisak. Zatim gas ispustite u atmosferu i spustite pritisak na vakuum. Ponavljajte postupak sve dok u sistemu više ne bude rashladnog sredstva.

Kada iskoristite i poslednje punjenje OFN-om, sistem spustite na atmosferski pritisak kako biste mogli da radite. Ovaj korak je neophodan da biste mogli da vršite lemljenje cevi. Pobrinite se za to da izlaz vakuumske pumpe ne bude u blizini izvora plamena i da je ventilacija dostupna.

7. INFORMACIJE O SERVISIRANJU

7.16 PROCEDURE PUNJENJA

Pored uobičajenih procedura punjenja, potrebno je poštovati i sledeće zahteve:

- Pobrinite se za to da ne dođe do kontaminacije različitih rashladnih sredstava prilikom korišćenja opreme za punjenje. Creva ili vodovi treba da budu što kraći, kako bi se smanjila količina rashladnog sredstva kog sadrže.
- Cilindri treba da se drže u uspravnom položaju.
- Pobrinite se za to da je rashladni sistem uzemljen pre nego što počnete da ga puniti rashladnim sredstvom.
- Označite sistem kada završite sa punjenjem (ako već nije prethodno označen).
- Obratite naročitu pažnju da ne prepunite rashladni sistem.
- Pre nego što ponovo dopunite sistem, proverite mu pritisak putem OFN-a. Po završetku punjenja, ali pre puštanja u rad, proverite da li na sistemu postoji curenje. Naknadna provera curenja

7.17 POVLAČENJE IZ RADA

Pre obavljanja ovog postupka, veoma je važno da tehničar bude u potpunosti upoznat sa opremom i svim njenim detaljima. Preporučuje se kao dobra praksa da se sve rashladno sredstvo bezbedno izvuče. Pre nego što izvršite taj zadatak, uzmite uzorak ulja i rashladnog sredstva.

Moguće je da će pre ponovne upotrebe rashladnog sredstva biti potrebno izvršiti njegovu analizu. Veoma je važno da električno napajanje bude dostupno pre nego što se zadatak započne.

- a) Upoznajte se sa opremom i načinom rada.
- b) Izolujte sistem u pogledu struje
- c) Pre nego što započnete postupak, pobrinite se da budu ispunjeni sledeći uslovi:
 - oprema za mehaničko rukovanje je dostupna, u slučaju da bude potrebna, za rukovanje cilindrima za rashladno sredstvo;
 - sva lična zaštitna oprema je dostupna i koristi se na ispravan način;
 - proces izvlačenja sve vreme nadzire stručno lice;
 - oprema za izvlačenje i cilindri su usklađeni sa odgovarajućim standardima.
- d) Ispumpajte rashladni sistem, ako je to moguće.
- e) Ako nije moguće napraviti vakuum, napravite višekanalni ventil kako bi se rashladno sredstvo moglo ukloniti iz različitih delova sistema.
- f) Pobrinite se za to da cilindar bude postavljen na vagu pre nego što započnete izvlačenje.
- g) Pokrenite mašinu za izvlačenje i radite u skladu sa uputstvima proizvođača.
- h) Nemojte prepunjavati cilindre. (Nemojte ih puniti preko 80% zapremine tečnosti).
- i) Nemojte premašivati maksimalni radni pritisak cilindra, čak ni privremeno.
- j) Kada se cilindri ispravno napune i proces dovrši, brzo uklonite cilindre i opremu sa lokacije i zatvorite sve ventile za izolaciju na opremi.
- k) Nemojte ubacivati izvučeno rashladno sredstvo u drugi rashladni sistem bez prethodnog čišćenja i provere.

7.18 OZNAČAVANJE

Označite opremu tako što ćete napomenuti da je povučena iz opticaja i da je rashladno sredstvo izvučeno. Oznaka treba da sadrži datum i potpis. Pobrinite se za to da se na opremi nalaze oznake koje ukazuju na to da oprema sadrži zapaljivo rashladno sredstvo.

7. INFORMACIJE O SERVISIRANJU

7.19 IZVLAČENJE

- Kada uklanjate rashladno sredstvo iz sistema, bilo zbog servisiranja ili zbog povlačenja iz rada, preporuka dobre prakse je da sve rashladno sredstvo uklonite na bezbedan način.
- Kada prebacujete rashladno sredstvo u cilindre, pobrinite se za to da koristite samo adekvatne cilindre za izvlačenje rashladnog sredstva. Pobrinite se za to da imate dovoljan broj cilindara za prihvatanje ukupno dostupne količine izvučenog sredstva. Svi cilindri koje ćete koristiti moraju da budu namenjeni za izvučeno rashladno sredstvo i označeni za to sredstvo (odnosno moraju da budu specijalni cilindri za izvlačenje rashladnog sredstva). Cilindri moraju da budu celoviti i da sadrže ventil za otpuštanje pritiska i povezane ventile za isključivanje, u ispravnom stanju.
- Prazni cilindri za izvlačenje se ispuštaju i, ako je moguće, rashlađuju pre svakog izvlačenja.
- Oprema za izvlačenje treba da bude u ispravnom radnom stanju i da u blizini sadrži uputstva u vezi s njenim radom, kao i da bude adekvatna za izvlačenje zapaljivih rashladnih sredstava. Pored toga, pri ruci treba da bude i ispravno kalibrisana vaga.
- Creva treba da budu celovita i u dobrom stanju, sa prekidnim spojnicama koje ne cure. Pre nego što upotrebite mašinu za izvlačenje, proverite da li je u zadovoljavajuće dobrom radnom stanju, da li je ispravno održavana i da li su sve električne komponente zaptivene, kako ne bi došlo do požara u slučaju oslobađanja rashladnog sredstva. Ukoliko niste sigurni, obratite se proizvođaču.
- Izvučeno rashladno sredstvo će se vratiti dobavljaču rashladnog sredstva u ispravnom cilindru za rashladno sredstvo i potpisatiće se odgovarajuća dokumentacija o prenosu otpadnog materijala. Nemojte mešati rashladna sredstva u jedinicama za izvlačenje, naročito ne u cilindrima.
- Ukoliko treba ukloniti kompresore ili ulja kompresora, pobrinite se za to da su oni ispražnjeni do prihvatljivog nivoa i da u mazivu nije zaostalo zapaljivog rashladnog sredstva. Proces pražnjenja treba sprovesti pre vraćanja kompresora dobavljaču. Za ubrzavanje ovog procesa dozvoljeno je koristiti samo električno zagrevanje tela kompresora. Izlivanje ulja iz sistema treba obaviti pažljivo.

7.20 TRANSPORT, OZNAČAVANJE I SKLADIŠTENJE JEDINICA

1. Transport opreme koja sadrži zapaljiva rashladna sredstva
Usklađenost sa propisima za transport
2. Označavanje opreme pomoću simbola
Usklađenost sa lokalnim propisima
3. Odlaganje opreme koja sadrži zapaljiva rashladna sredstva
Usklađenost sa nacionalnim propisima
4. Skladištenje opreme/uređaja
Skladištenje opreme treba da se vrši u skladu sa uputstvima proizvođača.
5. Skladištenje upakovane (neprodane) opreme
Zaštita pakovanja za skladištenje mora da bude izrađena na takav način da mehaničko oštećenje opreme unutar pakovanja ne dovede do curenja punjenja rashladnim sredstvom.
Maksimalan broj komada opreme dozvoljen da se skladišti na jednom mestu određuju lokalni propisi.



Carrier is committed for continuous improvement of Carrier products according to national and international standards to ensure the highest quality and reliability standards, and to meet market regulations and requirements. All specifications subject to change without prior notice according to Carrier policy of continuous development

AHI CARRIER S.E. EUROPE AIRCONDITIONING S.A.

18, KIFISOU AVENUE 10442 ATHENS, GREECE

TEL: +30-210-6796300.